

M400ML5AC4M

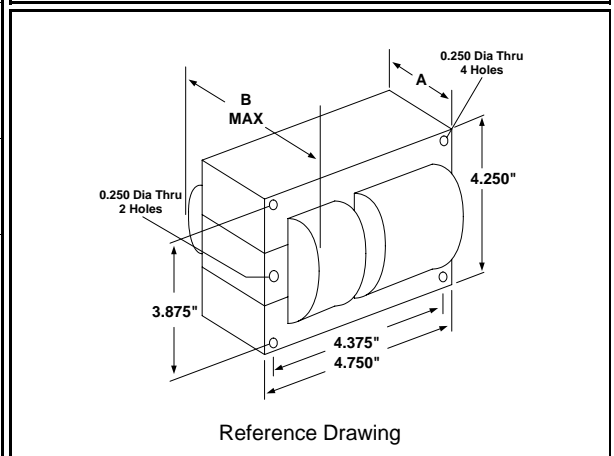
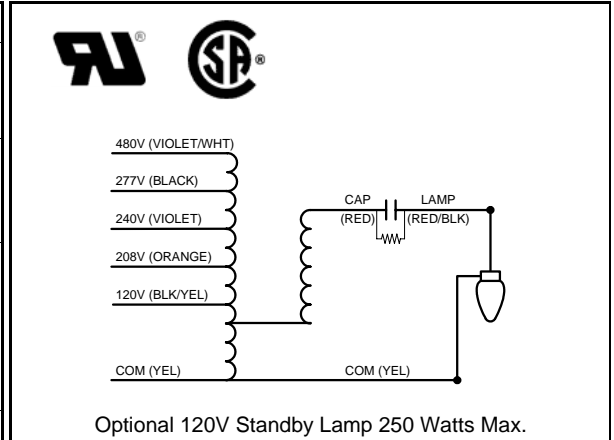
400W M59

Metal Halide

60Hz CWA

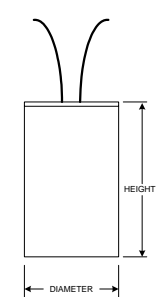
Specification Sheet

Input Volts	120	208	240	277	480
Regulation					
Line Volts	±10%	±10%	±10%	±10%	±10%
Lamp Watts	±10%	±10%	±10%	±10%	±10%
Power Factor (min)	90%	90%	90%	90%	90%
Input Watts	458 W	458 W	458 W	458 W	458 W
NOM. Open Circuit Voltage	300 V	300 V	300 V	300 V	300 V
Line Current (Amps)					
Operating	4.00	2.30	2.00	1.70	1.00
Open Circuit	3.60	2.10	1.80	1.60	0.90
Starting	2.60	1.50	1.30	1.10	0.65
Recommended Fuse (Amps)	10	6	5	5	3
Lamp Dropout Voltage (Line)	50 V	85 V	100 V	115 V	200 V
UL Temperature Ratings					
Insulation Class	H (180°C)	H (180°C)	H (180°C)	H (180°C)	H (180°C)
Temperature Code	E	E	E	E	E
MIN. Starting Temperature	-22°F -30°C	-22°F -30°C	-22°F -30°C	-22°F -30°C	-22°F -30°C
CAPACITOR Specifications					
Microfarads	24 uf	24 uf	24 uf	24 uf	24 uf
Volts (min.)	360 V	360 V	360 V	360 V	360 V
60Hz Test Procedures					
High Potential Test 1 Minute	2000 V	2000 V	2000 V	2000 V	2000 V
High Potential Test 1 Second	2500 V	2500 V	2500 V	2500 V	2500 V
Secondary Open Ckt Voltage (V)	270 - 330	270 - 330	270 - 330	270 - 330	270 - 330
Secondary Current Shorted (A)	3.40 - 4.20	3.40 - 4.20	3.40 - 4.20	3.40 - 4.20	3.40 - 4.20
Input Operating Current (A)	3.60 - 4.40	2.05 - 2.55	1.80 - 2.20	1.50 - 1.90	0.85 - 1.10
Input Open Circuit Current (A)	1.80 - 5.35	1.05 - 3.10	0.90 - 2.70	0.75 - 2.35	0.45 - 1.35
Input Short Circuit Current (A)	1.80 - 3.05	1.05 - 1.85	0.85 - 1.50	0.80 - 1.40	0.45 - 0.75
Core and Coil Specifications					
Dimension A	2.00 in	2.00 in	2.00 in	2.00 in	2.00 in
Dimension B	3.86 in	3.86 in	3.86 in	3.86 in	3.86 in
Weight	11.0 lbs	11.0 lbs	11.0 lbs	11.0 lbs	11.0 lbs
Lead Lengths (inches)	12-14	12-14	12-14	12-14	12-14
Coil Material (Pri. / Sec.):	Cu / Al	Cu / Al	Cu / Al	Cu / Al	Cu / Al



Capacitor: R17058571 **Ignitor: None**

Max Case Temp: 100 °C
 Height: 3.82 in
 Width / Diameter: 1.85 in



This Ballast does not require a Ignitor

Oil Cap. - P/N 005-3160-MF Consult Catalog for Specs.

Document #:	010-9736-04
Date:	11/17/2008
Status:	Production
Replaces Catalog #:	1130-826S

Data is based upon tests performed by Universal Lighting Technologies in a controlled environment and is representative of relative performance. Actual performance may vary depending on operating conditions. Specifications are subject to change without notice.