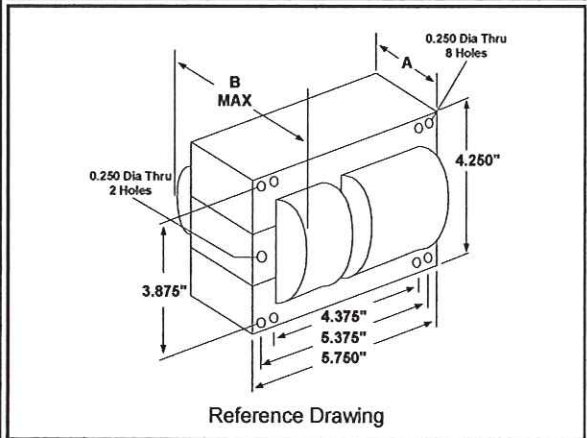
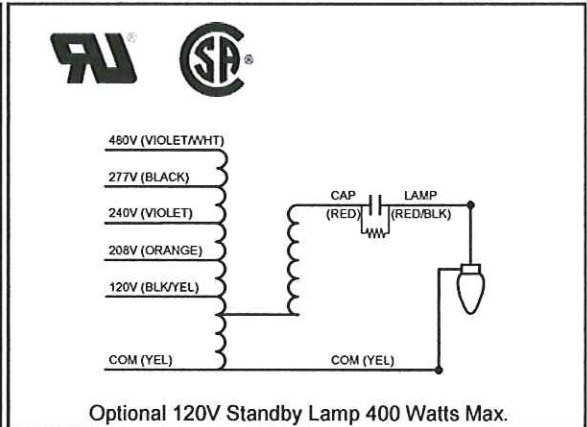


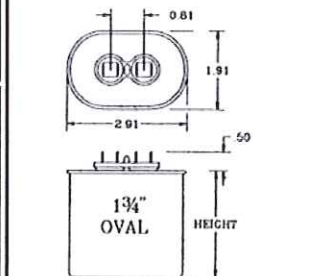
Specification Sheet

Input Volts	120	208	240	277	480
Regulation					
Line Volts	±10%	±10%	±10%	±10%	±10%
Lamp Watts	±10%	±10%	±10%	±10%	±10%
Power Factor (min)	90%	90%	90%	90%	90%
Input Watts	1080 W	1080 W	1080 W	1080 W	1080 W
NOM. Open Circuit Voltage	420 V	420 V	420 V	420 V	420 V
Line Current (Amps)					
Operating	9.15	5.25	4.55	3.95	2.30
Open Circuit	6.60	3.80	3.30	2.85	1.65
Starting	5.45	3.15	2.70	2.35	1.35
Recommended Fuse (Amps)	20	15	10	10	6
Lamp Dropout Voltage (Line)	75 V	135 V	155 V	180 V	310 V
UL Temperature Ratings					
Insulation Class	H (180°C)	H (180°C)	H (180°C)	H (180°C)	H (180°C)
Temperature Code	F	E	E	E	E
MIN. Starting Temperature	-22°F -30°C	-22°F -30°C	-22°F -30°C	-22°F -30°C	-22°F -30°C
CAPACITOR Specifications					
Microfarads	24 uf	24 uf	24 uf	24 uf	24 uf
Volts (min.)	480 V	480 V	480 V	480 V	480 V
60Hz Test Procedures					
High Potential Test 1 Minute	2000 V	2000 V	2000 V	2000 V	2000 V
High Potential Test 1 Second	2500 V	2500 V	2500 V	2500 V	2500 V
Secondary Open Ckt Voltage (V)	375 - 460	375 - 460	375 - 460	375 - 460	375 - 460
Secondary Current Shorted (A)	4.90 - 6.00	4.90 - 6.00	4.90 - 6.00	4.90 - 6.00	4.90 - 6.00
Input Operating Current (A)	8.25 - 10.15	4.50 - 5.60	4.15 - 5.10	3.60 - 4.45	2.05 - 2.55
Input Open Circuit Current (A)	3.30 - 9.60	1.90 - 5.55	1.65 - 4.80	1.40 - 4.20	0.80 - 2.40
Input Short Circuit Current (A)	4.10 - 6.20	2.50 - 3.85	2.00 - 3.05	1.80 - 2.75	1.00 - 1.60
Core and Coil Specifications					
Dimension A	2.90 in	2.90 in	2.90 in	2.90 in	2.90 in
Dimension B	5.05 in	5.05 in	5.05 in	5.05 in	5.05 in
Weight	22.0 lbs	22.0 lbs	22.0 lbs	22.0 lbs	22.0 lbs
Lead Lengths (inches)	12-14	12-14	12-14	12-14	12-14
Coil Material (Pri. / Sec.):	Cu/Al/Cu	Cu/Al/Cu	Cu/Al/Cu	Cu/Al/Cu	Cu/Al/Cu



Capacitor: 005-2779-MF **Ignitor: None**

Temp Rating: 90 °C
Height: 3.90 in
Width / Diameter: 2.91 in



This Ballast does not require a Ignitor

For alternate capacitor construction consult sales

Document #:	010-11037-03
Date:	2/18/2008
Status:	Production
Replaces Catalog #:	M1000ML5AC5M

Data is based upon tests performed by Universal Lighting Technologies in a controlled environment and is representative of relative performance. Actual performance may vary depending on operating conditions. Specifications are subject to change without notice.