

Standard type

- Adjustable thermal release
- Magnetic release 13 le max.
- Trip class 10
- Phase loss
- Short circuit protection
- Thermal overload
- Ideal for OEM applications



CMS-32S

Frame Size	Model Number	Rated Operational Current, Ie (A)	Thermal Overload Adjustment Range (A)	Magnetic Release Operating Current (A)	Manual Motor Controller (UL 508)								
					1-phase [HP] (50/60Hz)		3-phase [HP] (50/60Hz)				KAIC Rating [kA]		
					115V	230V	200V	230V	460V	575V	240V	480V	600V
32AF	CMS-32S-16	0.16	0.1~0.16	2.1	-	-	-	-	-	-	100	50	10
	CMS-32S-25	0.25	0.16~0.25	3.3	-	-	-	-	-	-	100	50	10
	CMS-32S-4	0.4	0.25~0.4	5.2	-	-	-	-	-	-	100	50	10
	CMS-32S-63	0.63	0.4~0.63	8.2	-	-	-	-	-	-	100	50	10
	CMS-32S-1	1	0.63~1.0	13	-	-	-	-	-	1/2	100	50	10
	CMS-32S-1.6	1.6	1.0~1.6	20.8	-	1/10	-	-	3/4	3/4	100	50	10
	CMS-32S-2.5	2.5	1.6~2.5	32.5	-	1/6	1/2	1/2	1	1.5	100	50	10
	CMS-32S-4	4	2.5~4.0	52	1/8	1/3	3/4	3/4	2	3	100	50	5
	CMS-32S-6	6	4~6	78	1/4	1/2	1	1.5	3	5	100	25	5
	CMS-32S-8	8	5~8	104	1/3	1	2	2	5	5	100	25	5
	CMS-32S-10	10	6~10	130	1/2	1.5	2	3	5	7.5	50	10	5
	CMS-32S-13	13	9~13	169	1/2	2	3	3	7.5	10	50	10	5
	CMS-32S-17	17	11~17	221	1	3	3	5	10	15	40	10	5
	CMS-32S-22	22	14~22	286	1.5	3	5	7.5	15	20	30	10	5
	CMS-32S-26	26	18~26	338	2	3	7.5	7.5	15	20	30	7.5	5
	CMS-32S-32	32	22~32	416	2	5	7.5	10	20	30	20	7.5	5
CMS-32S-40	40	28~40	520	3	7.5	10	10	30	30	20	7.5	5	

High breaking type

- Adjustable thermal release
- Magnetic release 13 le max.
- Trip class 10
- Phase loss
- Short circuit protection
- Thermal overload



CMS-32H



CMS-63H



CMS-100H

Frame Size	Model Number	Rated Operational Current, I _e (A)	Thermal Overload Adjustment Range (A)	Magnetic Release Operating Current (A)	Manual Motor Controller (UL 508)									
					1-phase [HP] (50/60Hz)		3-phase [HP] (60Hz)				KAIC Ratings [kA]			
					115V	230V	200V	230V	460V	575V	240V	480V	600V	
32AF	CMS-32H-16	0.16	0.1~0.16	2.1	-	-	-	-	-	-	-	100	50	10
	CMS-32H-25	0.25	0.16~0.25	3.3	-	-	-	-	-	-	-	100	50	10
	CMS-32H-4	0.4	0.25~0.4	5.2	-	-	-	-	-	-	-	100	50	10
	CMS-32H-63	0.63	0.4~0.63	8.2	-	-	-	-	-	-	-	100	50	10
	CMS-32H-1	1	0.63~1.0	13	-	-	-	-	-	1/2	100	50	10	
	CMS-32H-1.6	1.6	1.0~1.6	20.8	-	1/10	-	-	3/4	3/4	100	50	10	
	CMS-32H-2.5	2.5	1.6~2.5	32.5	-	1/6	1/2	1/2	1	1.5	100	50	10	
	CMS-32H-4	4	2.5~4.0	52	1/8	1/3	3/4	3/4	2	3	100	50	10	
	CMS-32H-6	6	4~6	78	1/4	1/2	1	1.5	3	5	100	50	10	
	CMS-32H-8	8	5~8	104	1/3	1	2	2	5	5	100	50	10	
	CMS-32H-10	10	6~10	130	1/2	1.5	2	3	5	7.5	100	50	10	
	CMS-32H-13	13	9~13	169	1/2	2	3	3	7.5	10	100	50	10	
	CMS-32H-17	17	11~17	221	1	3	3	5	10	15	100	50	10	
	CMS-32H-22	22	14~22	286	1.5	3	5	7.5	15	20	100	30	10	
	CMS-32H-26	26	18~26	338	2	3	7.5	7.5	15	20	100	30	10	
	CMS-32H-32	32	22~32	416	2	5	7.5	10	20	30	100	30	10	
CMS-32H-40	40	28~40	520	3	7.5	10	10	30	30	100	30	10		
63AF	CMS-63H-10	10	6~10	130	1/2	1.5	2	3	5	7.5	100	50	10	
	CMS-63H-13	13	9~13	169	1/2	2	3	3	7.5	10	100	50	10	
	CMS-63H-17	17	11~17	221	1	3	3	5	10	15	100	50	10	
	CMS-63H-22	22	14~22	286	1.5	3	5	7.5	15	20	100	50	10	
	CMS-63H-26	26	18~26	338	2	3	7.5	7.5	15	20	100	50	10	
	CMS-63H-32	32	22~32	416	2	5	7.5	10	20	30	100	50	10	
	CMS-63H-40	40	28~40	520	3	7.5	10	10	30	30	100	50	10	
	CMS-63H-50	50	34~50	650	3	10	15	15	30	40	100	50	10	
100AF	CMS-63H-63	63	45~63	819	5	10	20	20	40	60	100	50	10	
	CMS-63H-65	65	47~65	845	5	10	20	20	40	60	100	50	10	
	CMS-100H-17	17	11~17	221	1	3	3	5	10	15	100	50	10	
	CMS-100H-22	22	14~22	286	1.5	3	5	7.5	15	20	100	50	10	
	CMS-100H-26	26	18~26	338	2	3	7.5	7.5	15	20	100	50	10	
	CMS-100H-32	32	22~32	416	2	5	7.5	10	20	30	100	50	10	
	CMS-100H-40	40	28~40	520	3	7.5	10	10	30	30	100	50	10	
	CMS-100H-50	50	34~50	650	3	10	15	15	30	40	100	50	10	
	CMS-100H-63	63	45~63	819	5	10	20	20	40	60	100	50	10	
	CMS-100H-75	75	55~75	975	5	15	20	25	50	60	100	50	10	
CMS-100H-90	90	70~90	1170	7.5	20	25	30	60	75	100	50	10		
CMS-100H-100	100	80~100	1300	10	20	30	30	75	100	100	50	10		

Instantaneous type

- Fixed thermal release
- Magnetic release 13 I_e max.
- Short circuit protection



CMS-32HI



CMS-63HI



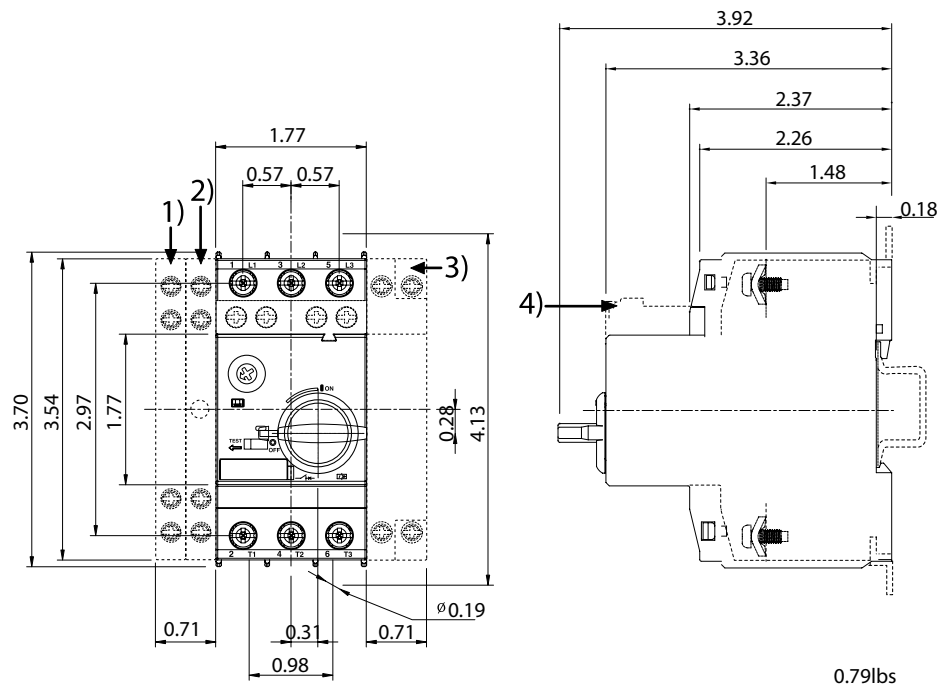
CMS-100HI

Frame Size	Model Number	Rated operational current I _e (A)	Magnetic release operating current (A)	Branch Motor Protection (UL508)									
				1-phase [HP] (50/60Hz)		3-phase [HP] (60Hz)				KAIC Ratings [kA]			
				115V	230V	200V	230V	460V	575V	240V	480V	600V	
32AF	CMS-32HI-16	0.16	2.1	-	-	-	-	-	-	-	100	50	10
	CMS-32HI-25	0.25	3.3	-	-	-	-	-	-	-	100	50	10
	CMS-32HI-4	0.4	5.2	-	-	-	-	-	-	-	100	50	10
	CMS-32HI-63	0.63	8.2	-	-	-	-	-	-	-	100	50	10
	CMS-32HI-1	1	13	-	-	-	-	-	1/2	100	50	10	
	CMS-32HI-1.6	1.6	20.8	-	1/10	-	-	3/4	3/4	100	50	10	
	CMS-32HI-2.5	2.5	32.5	-	1/6	1/2	1/2	1	1.5	100	50	10	
	CMS-32HI-4	4	52	1/8	1/3	3/4	3/4	2	3	100	50	10	
	CMS-32HI-6	6	78	1/4	1/2	1	1.5	3	5	100	50	10	
	CMS-32HI-8	8	104	1/3	1	2	2	5	5	100	50	10	
	CMS-32HI-10	10	130	1/2	1.5	2	3	5	7.5	100	50	10	
	CMS-32HI-13	13	169	1/2	2	3	3	7.5	10	100	50	10	
	CMS-32HI-17	17	221	1	3	3	5	10	15	100	50	10	
	CMS-32HI-22	22	286	1.5	3	5	7.5	15	20	100	30	10	
	CMS-32HI-26	26	338	2	3	7.5	7.5	15	20	100	30	10	
	CMS-32HI-32	32	416	2	5	7.5	10	20	30	100	30	10	
CMS-32HI-40	40	520	3	7.5	10	10	30	30	100	30	10		
63AF	CMS-63HI-10	10	130	1/2	1.5	2	3	5	7.5	100	50	10	
	CMS-63HI-13	13	169	1/2	2	3	3	7.5	10	100	50	10	
	CMS-63HI-17	17	221	1	3	3	5	10	15	100	50	10	
	CMS-63HI-22	22	286	1.5	3	5	7.5	15	20	100	50	10	
	CMS-63HI-26	26	338	2	3	7.5	7.5	15	20	100	50	10	
	CMS-63HI-32	32	416	2	5	7.5	10	20	30	100	50	10	
	CMS-63HI-40	40	520	3	7.5	10	10	30	30	100	50	10	
	CMS-63HI50	50	650	3	10	15	15	30	40	100	50	10	
100AF	CMS-100HI-17	17	221	1	3	3	5	10	15	100	50	10	
	CMS-100HI-22	22	286	1.5	3	5	7.5	15	20	100	50	10	
	CMS-100HI-26	26	338	2	3	7.5	7.5	15	20	100	50	10	
	CMS-100HI32	32	416	2	5	7.5	10	20	30	100	50	10	
	CMS-100HI-40	40	520	3	7.5	10	10	30	30	100	50	10	
	CMS-100HI-50	50	650	3	10	15	15	30	40	100	50	10	
	CMS-100HI-63	63	819	5	10	20	20	40	60	100	50	10	
	CMS-100HI-75	75	975	5	15	20	25	50	60	100	50	10	
	CMS-100HI-90	90	1170	7.5	20	25	30	60	75	100	50	10	
CMS-100HI-100	100	1300	10	20	30	30	75	100	100	50	10		

Manual Motor Starters (CMS 32H~32HI)

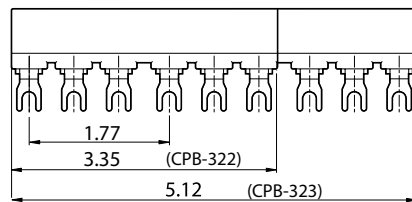
[in]

CMS 32H, 32HI

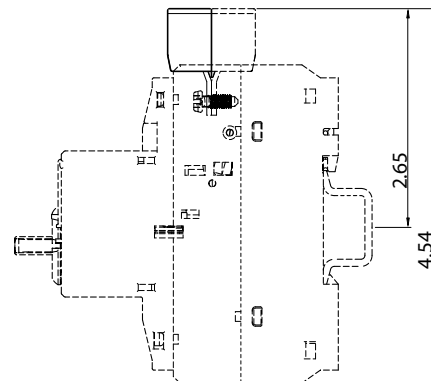


- 1) Side auxiliary switch [LX]
- 2) Side magnetic trip alarm switch [LA]
- 3) Side shunt release or side undervoltage release [RS]
- 4) Front auxiliary switch [FX]

*For product information on the accessories listed above refer to pages 78-79.



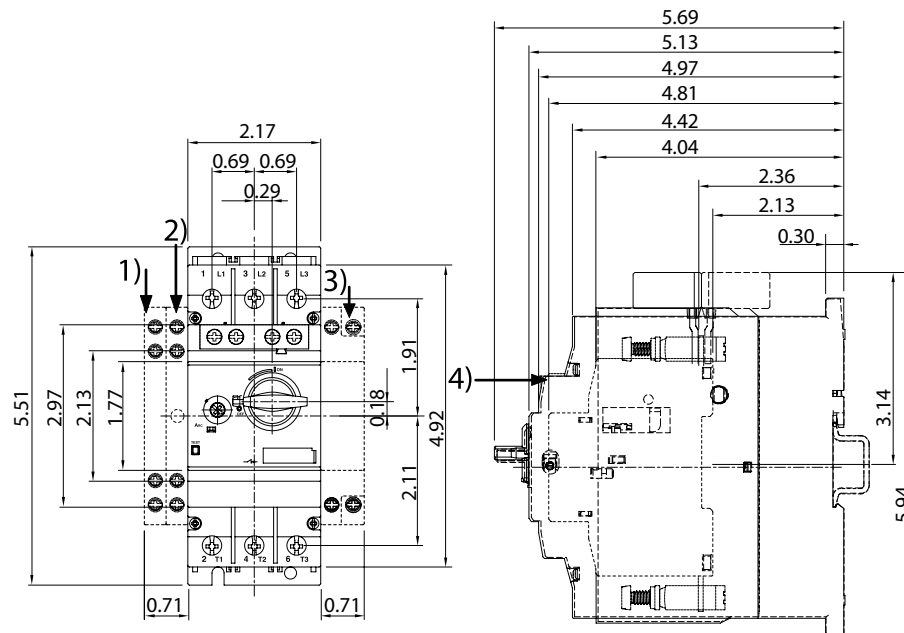
CMS-32H/32HI+CPB-32(2,3 Terminal)
CPB-322(2 Terminal), CPB-323(3 Terminal)



Manual Motor Starters (CMS 63H~63HI)

[in]

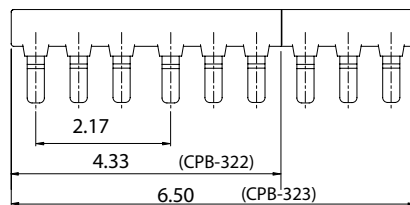
CMS 63H, 63HI



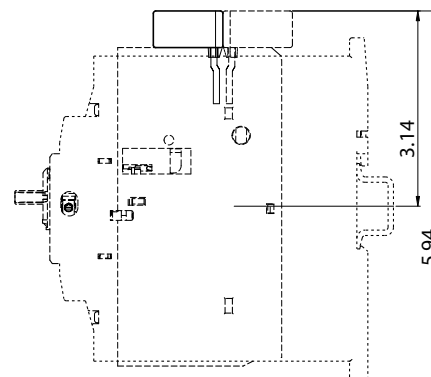
2.20lbs

- 1) Side auxiliary switch [LX]
- 2) Side magnetic trip alarm switch [LA]
- 3) Side shunt release or Side undervoltage release [RS]
- 4) Front auxiliary switch [FX]

*For product information on the accessories listed above refer to pages 78-79.



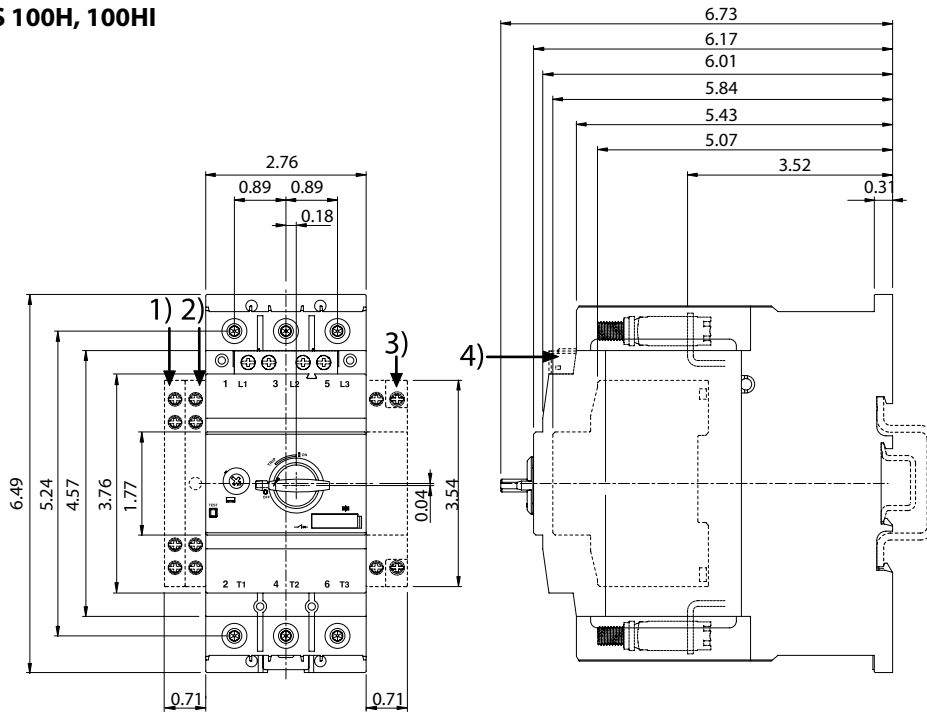
CMS-63H/HI+CPB-63(2,3 Terminal)
CPB-632(2 Terminal), CPB-633(3 Terminal)



Manual Motor Starters (CMS 100H~100HI)

[in]

CMS 100H, 100HI



4.85lbs

- 1) Side auxiliary switch [LX]
- 2) Side magnetic trip alarm switch [LA]
- 3) Side shunt release or Side undervoltage release [RS]
- 4) Front auxiliary switch [FX]

*For product information on the accessories listed above refer to pages 78-79.

