

# **BALDOR® • RELIANCE**

## **Product Information Packet**

# **VFDL3612TM**

**5HP,1725RPM,1PH,60HZ,184TC,3646LC,TEFC,F**

Part Detail							
Revision:	E	Status:	PRD/A	Change #:		Proprietary:	No
Type:	AC	Prod. Type:	3646LC	Elec. Spec:	36WGW279	CD Diagram:	CD0152
Enclosure:	TEFC	Mfg Plant:		Mech. Spec:	36Q158	Layout:	36LYQ158
Frame:	184TC	Mounting:	F1	Poles:	04	Created Date:	12-03-2013
Base:	N	Rotation:	R	Insulation:	F	Eff. Date:	09-10-2015
Leads:	2#10 A PH,3#16 B&J					Replaced By:	
Literature:		Elec. Diagram:					

<b>Nameplate NP1280L</b>							
CAT.NO.	VF DL3612TM						
SPEC.	36Q158W279G1						
HP	5						
VOLTS	230						
AMP	23						
RPM	1725						
FRAME	184TC	HZ	60	PH	1		
SER.F.	1.00	CODE	J	DES	L	CL	F
NEMA-NOM-EFF	80	PF	88				
RATING	40C AMB-CONT						
CC	USABLE AT 208V						
DE	6206	ODE	6205				
ENCL	TEFC	SN					

Parts List		
Part Number	Description	Quantity
SA273491	SA 36Q158W279G1	1.000 EA
RA260087	RA 36Q158W279G1	1.000 EA
OC3030F11SP	CYL OIL CAP 30MFD/370V	1.000 EA
TPLED1027SP	THERMAL 1PH 1.5 MAN REF LED989 TDR #5817	1.000 EA
EC1216C06SP	ELEC CAP, 216-259 MFD, 250V, 2.06D X 4.	2.000 EA
HA2001A09	SPACER, .218 ID X .937 LG	2.000 EA
RM1015	BOOT FOR MANUAL THERMALS	1.000 EA
51XN1032A28	10-32 X 1 3/4 HX WS SL SR	2.000 EA
XY1032A02	10-32 HEX NUT DIRECTIONAL SERRATION	2.000 EA
11XW1032G06	10-32 X .38, TAPTITE II, HEX WSHR SLTD U	1.000 EA
HW3001B02	1RASS CUP WASHER W/GROUND SYMBOL TAB,	1.000 EA
36EP3104A01	FREP MACH W/GRSR, RAISED FH PADS	1.000 EA
HW4500A19	1/4-28X1/4 SLOTTED PLUG F/S	1.000 EA
13XF0832A08	8-32 X.50 PAN HD,SLTD, TYPE F SCREW, ZIN	2.000 EA
37CB3805A06	CAPAC BOX, DIECAST W/CAST LEAD & THERMAL	1.000 EA
37GS3002	GASKET, CAPACITOR BOX	2.000 EA
10XN2520A08	1/4-20X1/2 HEX HEAD CAP	4.000 EA
HA6003A16	CLAMP, CAPACITOR SIZE 8 1/4 X 1 1/2 PL	1.000 EA
51XW0832A07	8-32 X .44, TAPTITE II, HEX WSHR SLTD SE	2.000 EA
HA1005A03SP	SLINGER, OD 1.750, ID .938, 205 BRG	1.000 EA
HW4600B36SP	V-RING SLINGER 1.188 X 1.690 X 0.240	1.000 EA
HW5100A05	WVY WSHR F/205 & 304 BRGS	1.000 EA
36EP3301A64	PULLEY 182-4TC ENCL 206 BRG W/SEAL W/O	1.000 EA
HW4600B50SP	SEAL 1.156 X 1.874 X 0.250 SINGLE LIP DB	1.000 EA

Parts List (continued)		
Part Number	Description	Quantity
10XN2520A24	1/4-20X 1 1/2 HEX HD X	4.000 EA
HW1001A25	LOCKWASHER 1/4, ZINC PLT .493 OD, .255 I	4.000 EA
HA3101A28	THRUBOLT 1/4-20 X 12.500 OHIO ROD	4.000 EA
36FN3000A01SP	EXFN, PLASTIC, 7.00 OD, .912 ID	1.000 EA
51XB1214A16	12-14X1.00 HXWSSLD SERTYB	1.000 EA
36FH4009A104	IEC FH GREASER W/AUTOPHERETIC PRIMER	1.000 EA
51XW1032A06	10-32 X .38, TAPTITE II, HEX WSHR SLTD S	3.000 EA
37CB4502	CAPAC BOX LID, STAMPED PLATED	1.000 EA
37GS3003SP	GASKET, CAPAC BOX LID X	1.000 EA
51XW0832A07	8-32 X .44, TAPTITE II, HEX WSHR SLTD SE	6.000 EA
HW2501E16	3KEY, 1/4 SQ X 1.750	1.000 EA
HA7000A02	KEY RETAINER RING, 1 1/8 DIA, 1 3/8 DIA	1.000 EA
85XU0407S04	4X1/4 U DRIVE PIN STAINLESS	2.000 EA
LB1087	LABEL,MANUAL RESET (ROLL LABEL)	1.000 EA
MJ5001A27	32220KN GRAY SEALER *MIN BUY 4 QTS=1GAL	0.001 QT
HW3200A01	3/8-16X3/4 I-BLT WELDED F/S	1.000 EA
WD1000A15	3-520132-2 AMP FLAG (4M/RL NON-CANC/NON-	6.000 EA
MJ1000A75	GREASE, POLYREX EM EXXON (USe 4824-15A)	0.050 LB
MG1025C02	RAL6081, LIGHT SUPER TAN, GLOSS 85,	0.022 GA
MG1025Z20	ACTIVATOR WILKOFAS T 060.32	0.010 GA
LB1115N	LABEL,LIFTING DEVICE (ON ROLLS)	1.000 EA
TP5059	GENERIC THERMAL KIT	1.000 EA
SP5172A11	37 TYPE L TORQ STAT SWITCH LEAD ASSEMBLY	1.000 EA
LC0002	CONNECTION LABEL	1.000 EA

Product Information Packet: VF3612TM - 5HP,1725RPM,1PH,60HZ,184TC,3646LC,TEFC,F

LB1119N	WARNING LABEL	1.000 EA
MN416A01	TAG-INSTAL-MAINT no wire (1200/bx) 11/14	1.000 EA
NP1280L	ALUM FARM DUTY UL CSA CC THERMAL	1.000 EA
G0PA1000	PKG GRP, PRINT PK1026A06	1.000 EA
PK3082	STYROFOAM CRADLE	1.000 EA

**AC Induction Motor Performance Data**

Record # 10712 - Typical performance - not guaranteed values

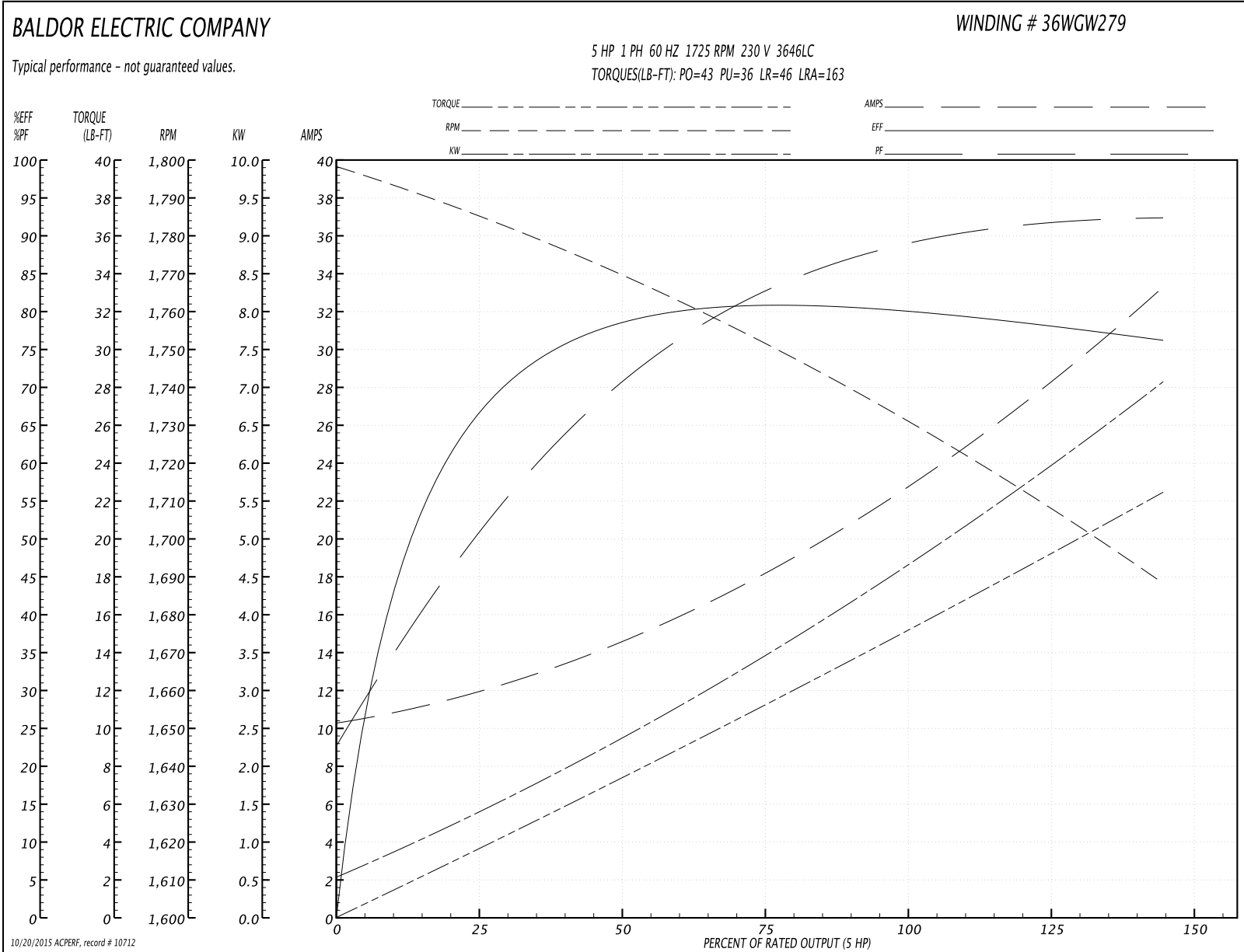
<b>Winding:</b> 36WGW279-R001	<b>Type:</b> 3646LC	<b>Enclosure:</b> TEFC
-------------------------------	---------------------	------------------------

Nameplate Data				230 V, 60 Hz: Single Voltage Motor	
Rated Output (HP)	5			Full Load Torque	15 LB-FT
Volts	230			Start Configuration	direct on line
Full Load Amps	23			Breakdown Torque	43 LB-FT
R.P.M.	1725			Pull-up Torque	36 LB-FT
Hz	60	Phase	1	Locked-rotor Torque	46 LB-FT
NEMA Design Code	L	KVA Code	J	Starting Current	163 A
Service Factor (S.F.)	1			No-load Current	10 A
NEMA Nom. Eff.	80	Power Factor	88	Line-line Res. @ 25°C	0.353 Ω A Ph 2.23 Ω B Ph
Rating - Duty	40C AMB-CONT			Temp. Rise @ Rated Load	97°C

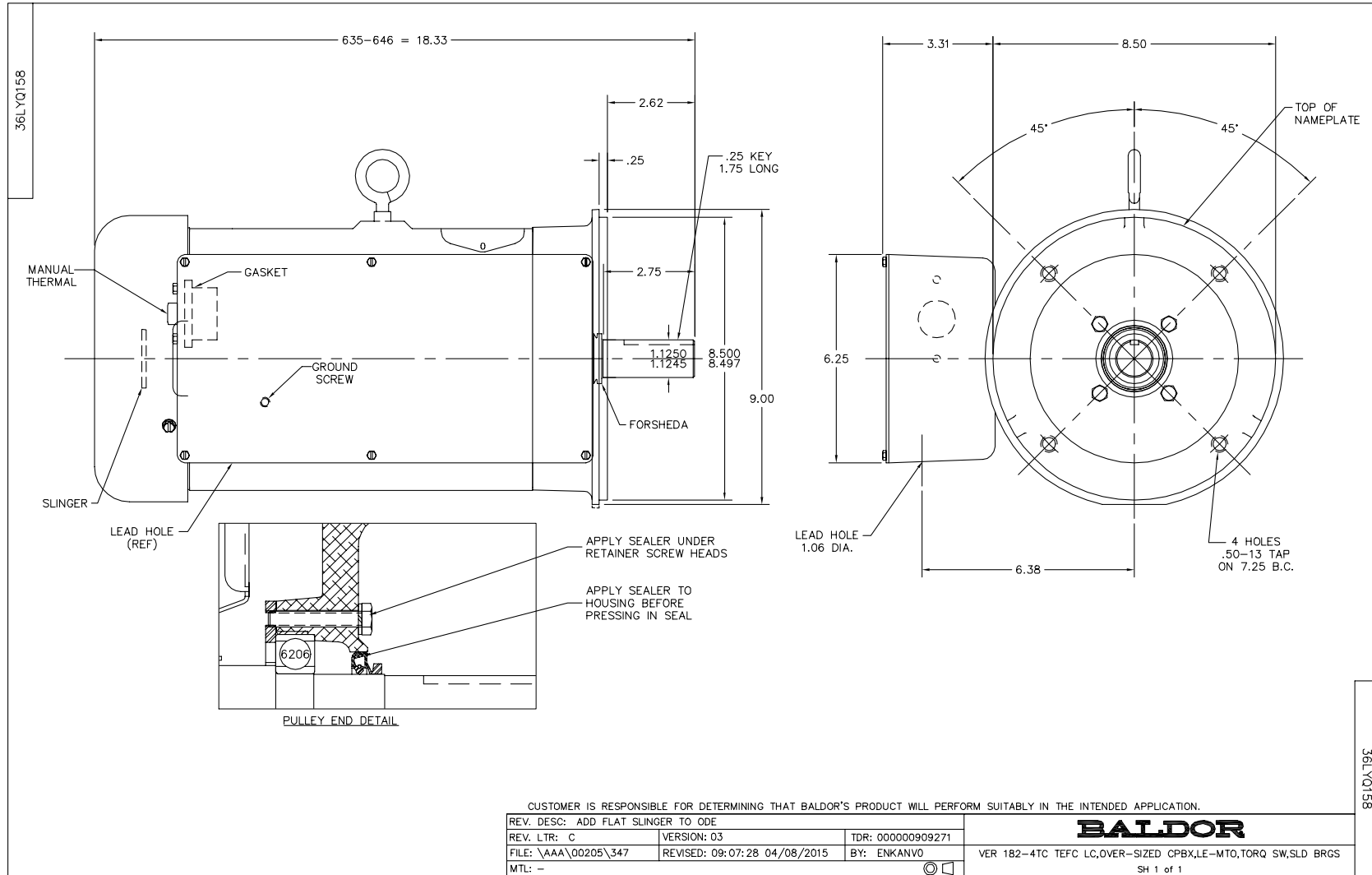
Load Characteristics 230 V, 60 Hz, 5 HP

% of Rated Load	25	50	75	100	125	150
Power Factor	54	71	85	89	89	91
Efficiency	65	76.1	81.5	80.8	79.3	75.5
Speed	1786	1769	1750	1732	1713	1687
Line amperes	12.7	14	18.5	22.6	27.3	33.5

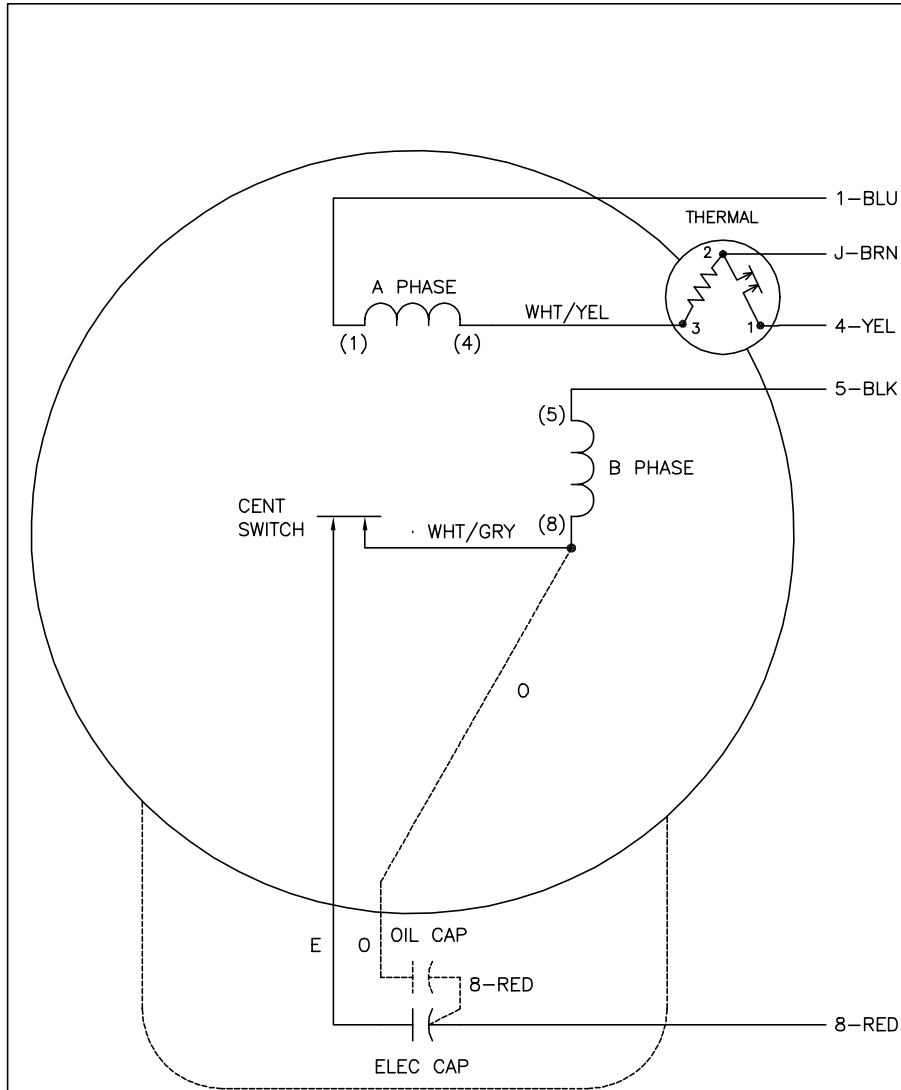
Performance Graph at 230V, 60Hz, 5.0HP Typical performance - Not guaranteed values







CD0152



	LINE A	LINE B	JOIN
STD	1,8	4	J,5
OPP	1,5	4	J,8

NOTES:

1. STANDARD ROTATION IS CCW FACING END OPPOSITE SHAFT EXTENSION.
2. MULTIPLE CAPACITORS ARE CONNECTED IN PARALLEL UNLESS OTHERWISE SPECIFIED.
3. OPTIONAL OIL CAPACITOR IS PROVIDED WHEN SPECIFIED.
4. CAPACITORS MAY BE SEPERATELY MOUNTED.
5. LEAD COLORS ARE OPTIONAL. LEADS MUST ALWAYS BE NUMBERED AS SHOWN.

REV. DESC: REMOVE OPTIONAL THERMAL CONNECTION		
REV. LTR: D	VERSION: 01	TDR: 000000373039
ZS1000	FILE: \AAA\00026\903	REVISED: 11:23:45 08/11/2005
	MTL: -	BY: ENJOEPO

**BALDOR ELECTRIC Co.**

TYPE L OR LC, SV, REV, 5 LDS, THERM, CAPS MAY BE SEP MTD

CD0152