

# **BALDOR**® • ***RELIANCE***

## **Product Information Packet**

# **VEM3550**

**1.5HP,3480RPM,3PH,60HZ,56C,3520M,TEFC,F1**

Part Detail							
Revision:	G	Status:	PRD/A	Change #:		Proprietary:	No
Type:	AC	Prod. Type:	3520M	Elec. Spec:	35WGM760	CD Diagram:	CD0005
Enclosure:	TEFC	Mfg Plant:		Mech. Spec:	35J302	Layout:	35LYJ302
Frame:	56C	Mounting:	F1	Poles:	02	Created Date:	05-21-2010
Base:	N	Rotation:	R	Insulation:	F	Eff. Date:	10-16-2015
Leads:	9#18					Replaced By:	
Literature:		Elec. Diagram:					

Nameplate NP3441LUA							
CAT.NO.	VEM3550						
SPEC.	35J302M760						
HP	1.5						
VOLTS	230/460						
AMP	3.8/1.9						
RPM	3500						
FRAME	56C	HZ	60	PH	3		
SER.F.	1.15	CODE	L	DES	B	CL	F
NEMA-NOM-EFF	84	PF	85				
RATING	40C AMB-CONT						
CC		USABLE AT 208V	4.6				
DE	6205	ODE	6203				
ENCL	TEFC	SN					
VPWM INVERTER READY							
CT6-60H(10:1)VT3-60H(20:1)							
	50Hz 1.5HP 190/380V 4.6/2.3A sf1.0						

Parts List		
Part Number	Description	Quantity
SA196997	SA 35J302M760	1.000 EA
RA184436	RA 35J302M760	1.000 EA
34FN3002B01	EXTERNAL FAN, PLASTIC, .637/.639 HUB W/	1.000 EA
S/P107-000-001	SUPER E PROC'S-FS, WS & CK PLTS	1.000 EA
NS2512A01	INSULATOR, CONDUIT BOX X	1.000 EA
35CB3000SP	CONDUIT BOX, CAST, W/.88 DIA. LEAD HOLE	1.000 EA
36GS1000SP	GASKET-CONDUIT BOX, .06 THICK #SV-330 LE	1.000 EA
51XB1016A07	10-16 X 7/16 HXWSSLD SERTYB	2.000 EA
11XW1032G06	10-32 X .38, TAPTITE II, HEX WSHR SLTD U	1.000 EA
HW3001B01	BRASS CUP WASHER, FOR #8 SCREW	1.000 EA
MJ1000A75	GREASE, POLYREX EM EXXON (USe 4824-15A)	0.050 LB
35EP3100M02	FREP TEFC 203 BRG W/O GR SR (RAISED FH MT	1.000 EA
HW5100A03SP	WAVY WASHER (W1543-017)	1.000 EA
35EP3300A33	SPL FACE MTD EP -ENCL-205 BRG	1.000 EA
51XN1032A20	10-32 X 1 1/4 HX WS SL SR	2.000 EA
51XB1214A16	12-14X1.00 HXWSSLD SERTYB	1.000 EA
35FH4005A32	IEC FH NO GR SR W/3 HOLES - W/AUTOPHERETI	1.000 EA
51XW1032A06	10-32 X .38, TAPTITE II, HEX WSHR SLTD S	3.000 EA
35CB4514	35 LIPPED CB LID	1.000 EA
36GS1001SP	GASKET, CONDUIT BOX LID, .06 THICK #SV-3	1.000 EA
51XW0832A07	8-32 X .44, TAPTITE II, HEX WSHR SLTD SE	4.000 EA
HW2501D13SP	KEY, 3/16 SQ X 1.375	1.000 EA
HA7000A04	KEY RETAINER 0.625 DIA SHAFTS	1.000 EA
85XU0407S04	4X1/4 U DRIVE PIN STAINLESS	2.000 EA

<b>Parts List (continued)</b>		
<b>Part Number</b>	<b>Description</b>	<b>Quantity</b>
MG1000Y03	MUNSELL 2.53Y 6.70/ 4.60, GLOSS 20,	0.017 GA
HA3100A12	THRUBOLT 10-32 X 7.375	4.000 EA
LC0005E01	CONN.DIA./WARNING LABEL (LC0005/LB1119N)	1.000 EA
NP3441LUA	ALUM SUPER-E VPWM INV READY UL	1.000 EA
35PA1066	PKG GRP, PRINT PK1008A06	1.000 EA
PK3082	STYROFOAM CRADLE	1.000 EA
MN416A01	TAG-INSTAL-MAINT no wire (1200/bx) 11/14	1.000 EA

**AC Induction Motor Performance Data**  
Record # 52482 - Typical performance - not guaranteed values

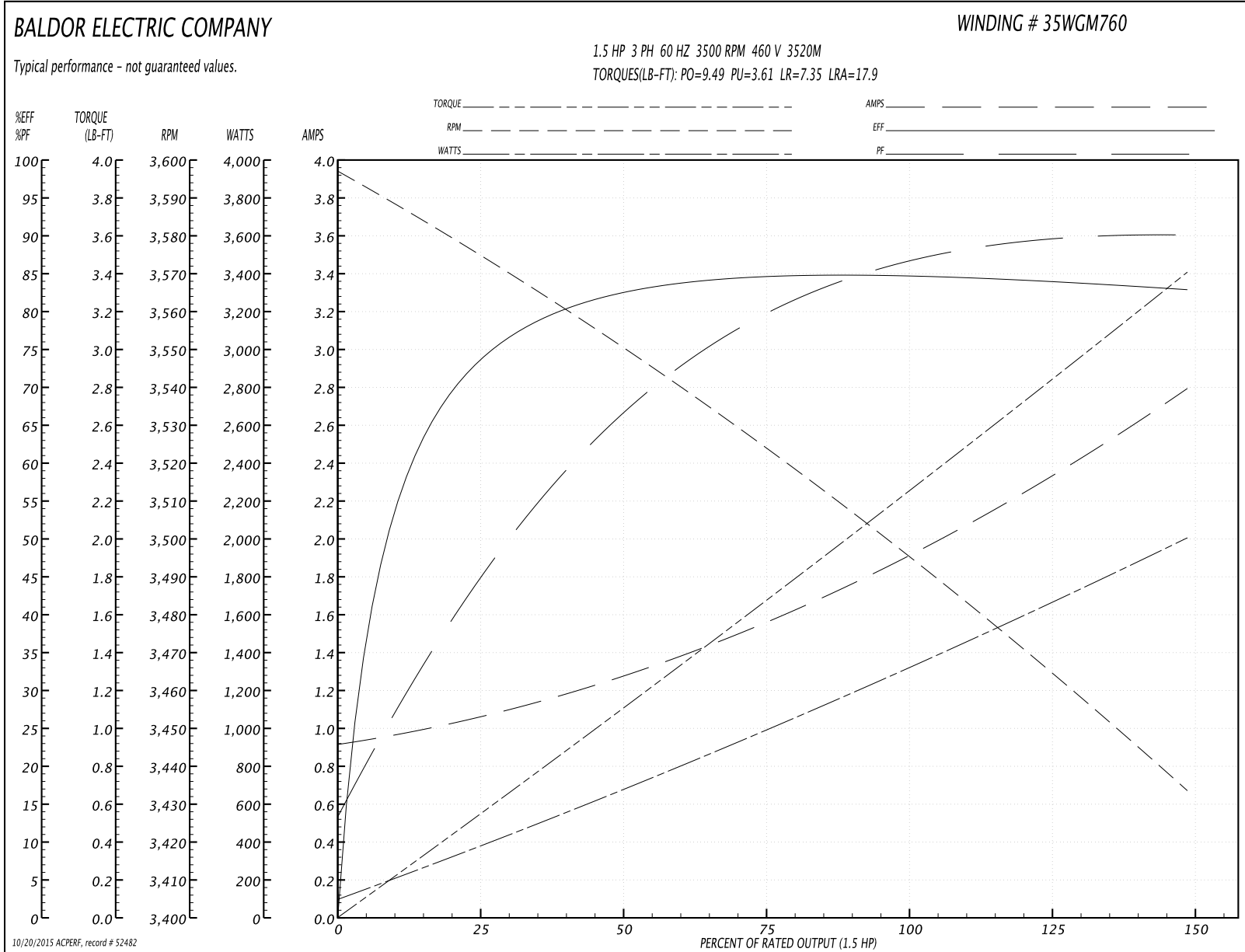
<b>Winding:</b> 35WGM760-R051	<b>Type:</b> 3520M	<b>Enclosure:</b> TEFC
-------------------------------	--------------------	------------------------

Nameplate Data				460 V, 60 Hz: High Voltage Connection	
Rated Output (HP)	1.5			Full Load Torque	2.22 LB-FT
Volts	230/460			Start Configuration	direct on line
Full Load Amps	3.8/1.9			Breakdown Torque	9.49 LB-FT
R.P.M.	3500			Pull-up Torque	3.61 LB-FT
Hz	60	Phase	3	Locked-rotor Torque	7.35 LB-FT
NEMA Design Code	B	KVA Code	L	Starting Current	17.9 A
Service Factor (S.F.)	1.15			No-load Current	0.932 A
NEMA Nom. Eff.	84	Power Factor	85	Line-line Res. @ 25°C	12.2 Ω
Rating - Duty	40C AMB-CONT			Temp. Rise @ Rated Load	43°C
S.F. Amps				Temp. Rise @ S.F. Load	50°C
				Rotor inertia	0.0553 LB-FT <sup>2</sup>

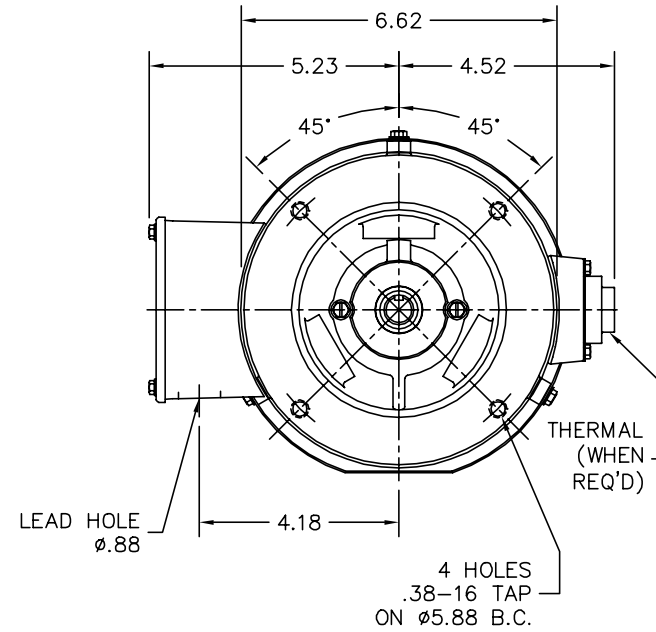
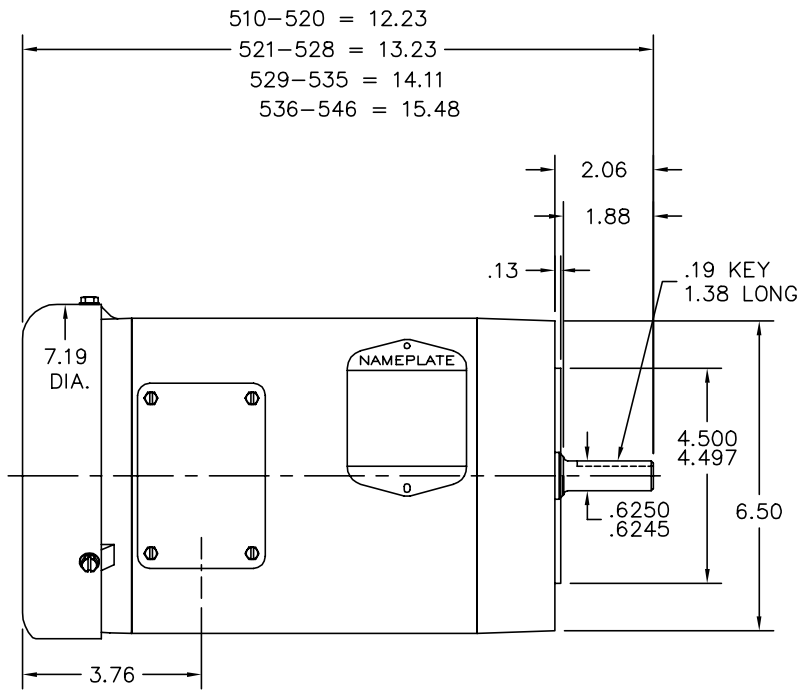
**Load Characteristics 460 V, 60 Hz, 1.5 HP**

% of Rated Load	25	50	75	100	125	150	S.F.
Power Factor	45	67	79	85	89	90	87
Efficiency	72.3	82.2	84.4	84.8	84.3	82.8	84.5
Speed	3575	3551	3526	3498	3466	3433	3479
Line amperes	1.03	1.25	1.55	1.91	2.31	2.79	2.15

Performance Graph at 460V, 60Hz, 1.5HP Typical performance - Not guaranteed values



35LYJ302



CUSTOMER IS RESPONSIBLE FOR DETERMINING THAT BALDOR'S PRODUCT WILL PERFORM SUITABLY IN THE INTENDED APPLICATION.

REV. DESC: UPDATE DRWG PARTS			
REV. LTR: C	VERSION: 02	TDR: 000000738205	
FILE: \AAA\00041\631		REVISED: 02:09:50 03/15/2012	
MTL: -		BY: ENBENBO	

**BALDOR**

VERT 56C TEFC 35M SUPER-E

SH 1 of 1

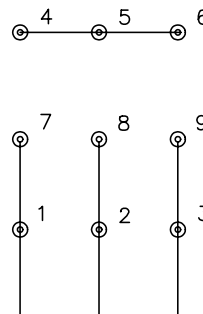
35LYJ302



CD0005

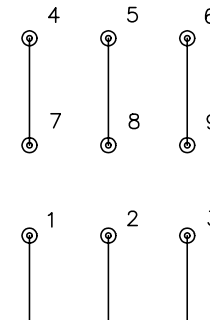


LOW VOLTAGE  
(2Y)



LINE

HIGH VOLTAGE  
(1Y)



LINE

NOTES:

1. INTERCHANGE ANY TWO LINE LEADS TO REVERSE ROTATION.
2. OPTIONAL THERMOSTATS ARE PROVIDED WHEN SPECIFIED.
3. ACTUAL NUMBER OF INTERNAL PARALLEL CIRCUITS MAY BE A MULTIPLE OF THOSE SHOWN ABOVE.
4. LEAD COLORS ARE OPTIONAL. LEADS MUST ALWAYS BE NUMBERED AS SHOWN.

REV. DESC: REVISE TO SHOW OPTIONAL COLORS			
REV. LTR: E	BY: JLP	REVISED: 01/19/99 10:15	TDR: 0171435
9000D		FILE: AAA00005140	MDL: -
		MTL: -	

**BALDOR ELECTRIC Co.**

3PH, DV, 9 LEADS

CD0005