

BALDOR® • *RELIANCE*

Product Information Packet

UCLE7510

7.5-10 AIR OVERHP,3450RPM,1PH,60HZ,182TZ

| Part Detail | | | | | | | |
|-------------|---------------------------------|----------------|--------|-------------|----------|---------------|------------|
| Revision: | E | Status: | PRD/A | Change #: | | Proprietary: | No |
| Type: | AC | Prod. Type: | 3646LC | Elec. Spec: | 36WGX955 | CD Diagram: | CD0208 |
| Enclosure: | TEAO | Mfg Plant: | | Mech. Spec: | 36Q215 | Layout: | 36LYQ215 |
| Frame: | 182TZ | Mounting: | F1 | Poles: | 02 | Created Date: | 03-06-2014 |
| Base: | RG | Rotation: | R | Insulation: | F | Eff. Date: | 09-10-2015 |
| Leads: | 2#10 A PH SEE NOTES,3#16 B PH Y | | | | | Replaced By: | |
| Literature: | | Elec. Diagram: | | | | | |

| | | | | | | | |
|--------------------------|-----------------|----------------|------|-----|---|----|---|
| Nameplate NP1279L | | | | | | | |
| CAT.NO. | UCLE7510 | | | | | | |
| SPEC. | 36Q215X955G1 | | | | | | |
| HP | 7.5-10 AIR OVER | | | | | | |
| VOLTS | 230 | | | | | | |
| AMP | 38 | | | | | | |
| RPM | 3450 | | | | | | |
| FRAME | 182TZ | HZ | 60 | PH | 1 | | |
| SER.F. | 1.00 | CODE | F | DES | - | CL | F |
| NEMA-NOM-EFF | 85.5 | PF | 95 | | | | |
| RATING | 40C AMB-CONT | | | | | | |
| CC | | USABLE AT 208V | 28 | | | | |
| DE | 6206 | ODE | 6205 | | | | |
| ENCL | TEAO | SN | | | | | |
| | | | | | | | |

| | | | | | | | |
|--------------------------|-----------------|----------------|------|-----|---|----|---|
| Nameplate NP1263L | | | | | | | |
| CAT.NO. | UCLE7510 | | | | | | |
| SPEC. | 36Q215X955G1 | | | | | | |
| HP | 7.5-10 AIR OVER | | | | | | |
| VOLTS | 230 | | | | | | |
| AMP | 38 | | | | | | |
| RPM | 3450 | | | | | | |
| FRAME | 182TZ | HZ | 60 | PH | 1 | | |
| SER.F. | 1.00 | CODE | F | DES | - | CL | F |
| NEMA-NOM-EFF | 85.5 | PF | 95 | | | | |
| RATING | 40C AMB-CONT | | | | | | |
| CC | | USABLE AT 208V | 28 | | | | |
| DE | 6206 | ODE | 6205 | | | | |
| ENCL | TEAO | SN | | | | | |
| | | | | | | | |

| Parts List | | |
|-------------|--|----------|
| Part Number | Description | Quantity |
| SA277503 | SA 36Q215X955G1 | 1.000 EA |
| RA264052 | RA 36Q215X955G1 | 1.000 EA |
| OC3050F09SP | CYL OIL CAP 50MFD/370V | 2.000 EA |
| OC3040F09SP | CYL OIL CAP 40MFD/370V | 1.000 EA |
| EC1216C06SP | ELEC CAP, 216-259 MFD, 250V, 2.06D X 4. | 1.000 EA |
| HA6021A01SP | ADAPTOR, MACH | 1.000 EA |
| 51XB1016A07 | 10-16 X 7/16 HXWSSLD SERTYB | 2.000 EA |
| 36GS5000 | GASKET CONDUIT ADAPTOR | 1.000 EA |
| 11XW1032G06 | 10-32 X .38, TAPTITE II, HEX WSHR SLTD U | 1.000 EA |
| HW3001B01 | BRASS CUP WASHER, FOR #8 SCREW | 1.000 EA |
| 36EP3104A46 | FREP TENV 36L/M 205 BRG NO GR SR, W/GND | 1.000 EA |
| 13XF0832A08 | 8-32 X.50 PAN HD,SLTD, TYPE F SCREW, ZIN | 2.000 EA |
| NS2501A01 | INSULATOR, CAPACITOR | 1.000 EA |
| 51XB1016A05 | 10-16X5/16HX WA SL SR TYB (F/S) | 2.000 EA |
| HW5100A05 | WVY WSHR F/205 & 304 BRGS | 1.000 EA |
| 36EP3100B94 | PU ENDPLATE, MACH | 1.000 EA |
| HW4600B50SP | SEAL 1.156 X 1.874 X 0.250 SINGLE LIP DB | 1.000 EA |
| 10XN2520A20 | 1/4-20X 1 1/4 HEX HD X | 2.000 EA |
| XY2520A12 | 1/4-20 HEX NUT, DIRECTIONAL SERRATIONS | 4.000 EA |
| HW4600B36SP | V-RING SLINGER 1.188 X 1.690 X 0.240 | 1.000 EA |
| HW2501E18 | KEY, 1/4 SQ X 2.000 | 1.000 EA |
| HA7000A02 | KEY RETAINER RING, 1 1/8 DIA, 1 3/8 DIA | 1.000 EA |
| 85XU0407S04 | 4X1/4 U DRIVE PIN STAINLESS | 2.000 EA |
| HW3200A01 | 3/8-16X3/4 I-BLT WELDED F/S | 1.000 EA |

| Parts List (continued) | | |
|-------------------------------|--|-----------------|
| Part Number | Description | Quantity |
| MJ1000A75 | GREASE, POLYREX EM EXXON (USe 4824-15A) | 0.050 LB |
| LB1115N | LABEL,LIFTING DEVICE (ON ROLLS) | 1.000 EA |
| MG1025Z20 | ACTIVATOR WILKOFAS 060.32 | 0.010 GA |
| MG1025C02 | RAL6081, LIGHT SUPER TAN, GLOSS 85, | 0.022 GA |
| WD1000A15 | 3-520132-2 AMP FLAG (4M/RL NON-CANC/NON- | 8.000 EA |
| 35CB4802A02SP | CAPACITOR COVER, STAMPED X W/AUTOPHORET | 1.000 EA |
| 35GS3001A02 | GASKET, CA.COVER, 5.38 LONG .06 CS301 | 1.000 EA |
| SP5172A11 | 37 TYPE L TORQ STAT SWITCH LEAD ASSEMBLY | 1.000 EA |
| HA3101A28 | THRUBOLT 1/4-20 X 12.500 OHIO ROD | 4.000 EA |
| MP1002A24 | 6" X 16" .65 MIL. CLEAR PLASTIC BAG | 1.000 EA |
| LB1119N | WARNING LABEL | 1.000 EA |
| LC0208 | CONNECTION LABEL | 1.000 EA |
| NP1279L | ALUM FARM DUTY UL CSA CC | 1.000 EA |
| NP1263L | AUX, GP, ALUM, CC, LASER ETCHED | 1.000 EA |
| LD5000A24 | LEAD ASSY, ML1400DF10 W/#10 RING 12" | 1.000 EA |
| 36PA1001 | PKG GRP, PRINT PK1017A06 | 1.000 EA |
| MN416A01 | TAG-INSTAL-MAINT no wire (1200/bx) 11/14 | 1.000 EA |

| Accessories | | |
|--------------------|---|-------------------|
| Part Number | Description | Multiplier |
| 36-3301 | C FACE KIT | A8 |
| 36EP1304A62SP | FLANGE MTD ENDPLATE 182-4TD -ENCL (LESS | A8 |

AC Induction Motor Performance Data

Record # 11173 - Typical performance - not guaranteed values

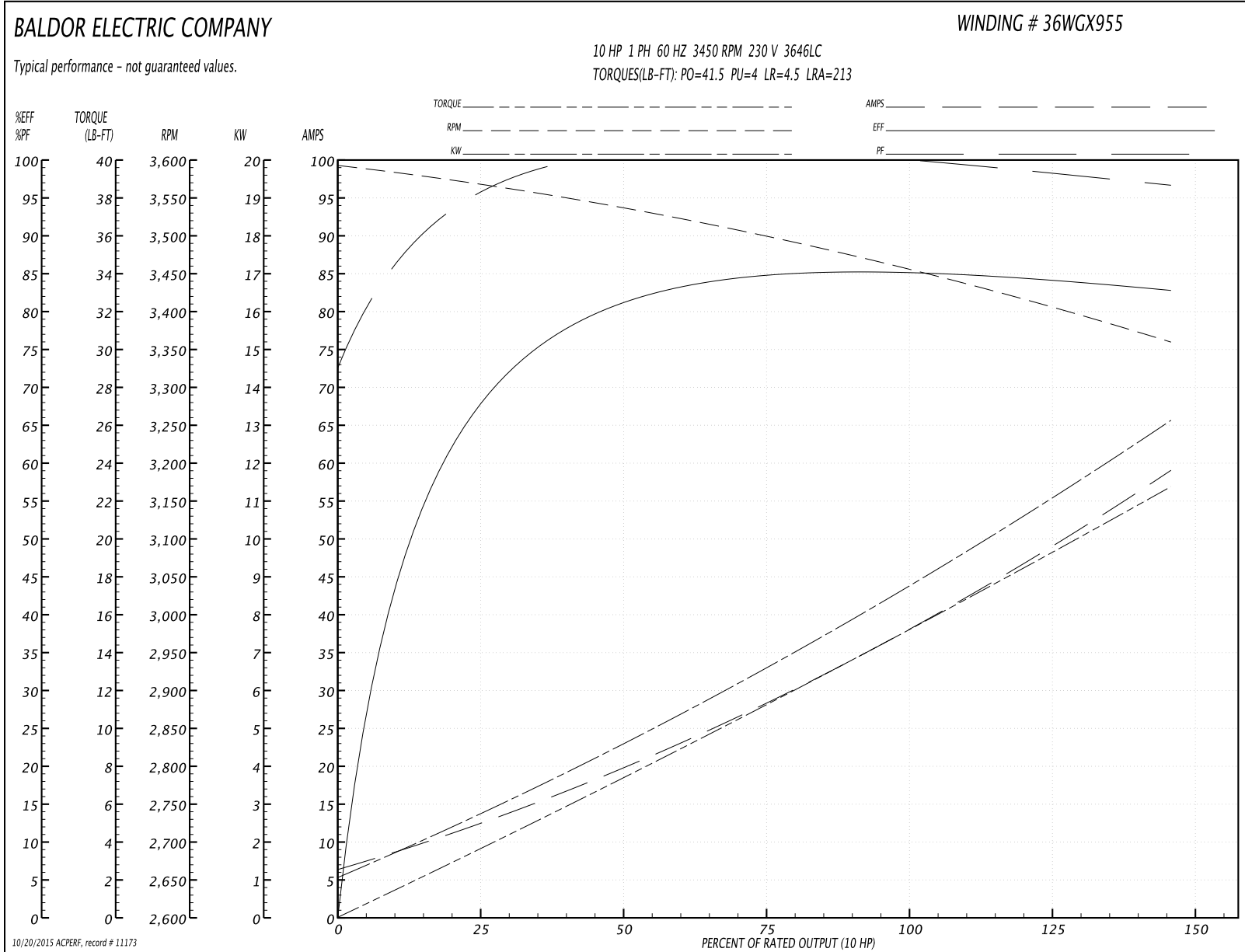
| | | |
|-------------------------------|---------------------|------------------------|
| Winding: 36WGX955-R001 | Type: 3646LC | Enclosure: TEAO |
|-------------------------------|---------------------|------------------------|

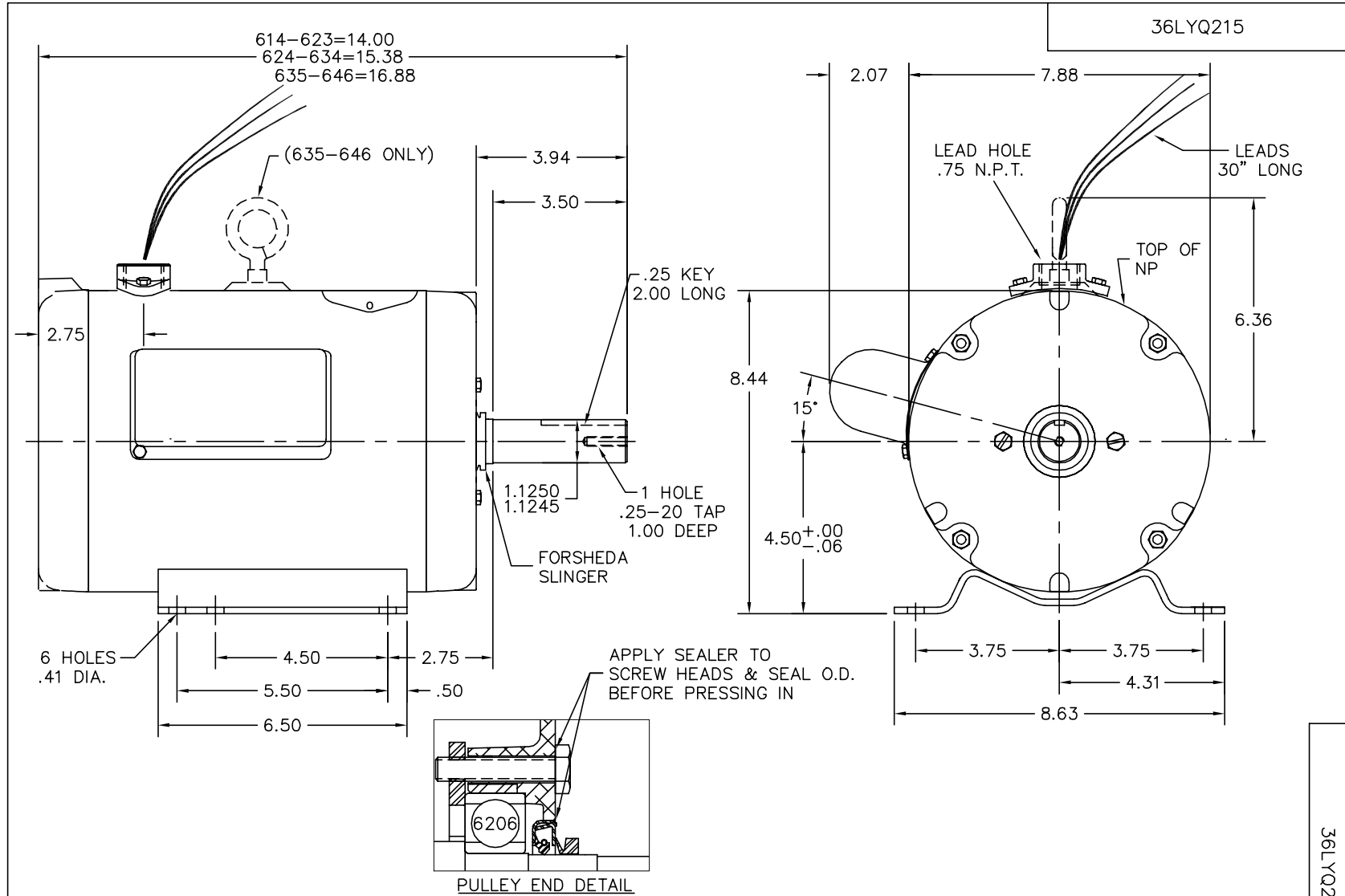
| Nameplate Data | | | | 230 V, 60 Hz: Single Voltage Motor | |
|-----------------------|-----------------|--------------|----|---------------------------------------|------------------------------|
| Rated Output (HP) | 7.5-10 AIR OVER | | | Full Load Torque | 15.2 LB-FT |
| Volts | 230 | | | Start Configuration | direct on line |
| Full Load Amps | 38 | | | Breakdown Torque | 41.5 LB-FT |
| R.P.M. | 3450 | | | Pull-up Torque | 4 LB-FT |
| Hz | 60 | Phase | 1 | Locked-rotor Torque | 4.5 LB-FT |
| NEMA Design Code | - | KVA Code | F | Starting Current | 213 A |
| Service Factor (S.F.) | 1 | | | No-load Current | 6.2 A |
| NEMA Nom. Eff. | 85.5 | Power Factor | 95 | Line-line Res. @ 25°C | 0.202 Ω A Ph 0.319 Ω B Ph |
| Rating - Duty | 40C AMB-CONT | | | Temp. Rise @ Rated Load | |

Load Characteristics 230 V, 60 Hz, 10 HP

| % of Rated Load | 25 | 50 | 75 | 100 | 125 | 150 |
|-----------------|------|------|------|------|------|------|
| Power Factor | 95 | 99 | 99 | 99 | 99 | 99 |
| Efficiency | 67.3 | 80.6 | 84.8 | 85.7 | 84.7 | 82.4 |
| Speed | 3565 | 3533 | 3498 | 3458 | 3412 | 3357 |
| Line amperes | 12.8 | 20.4 | 28.8 | 37.9 | 47.9 | 59.4 |

Performance Graph at 230V, 60Hz, 10.0HP Typical performance - Not guaranteed values





CUSTOMER IS RESPONSIBLE FOR DETERMINING THAT BALDOR'S PRODUCT WILL PERFORM SUITABLY IN THE INTENDED APPLICATION.

| | | |
|------------------------------------|------------------------------|-------------------|
| REV. DESC: CHG FREP TO 36EP3104A46 | | |
| REV. LTR: B | VERSION: 02 | TDR: 000000919753 |
| FILE: \AAA\00207\435 | REVISED: 08:56:53 05/06/2015 | BY: FGCHAH1 |
| MTL: - | | |

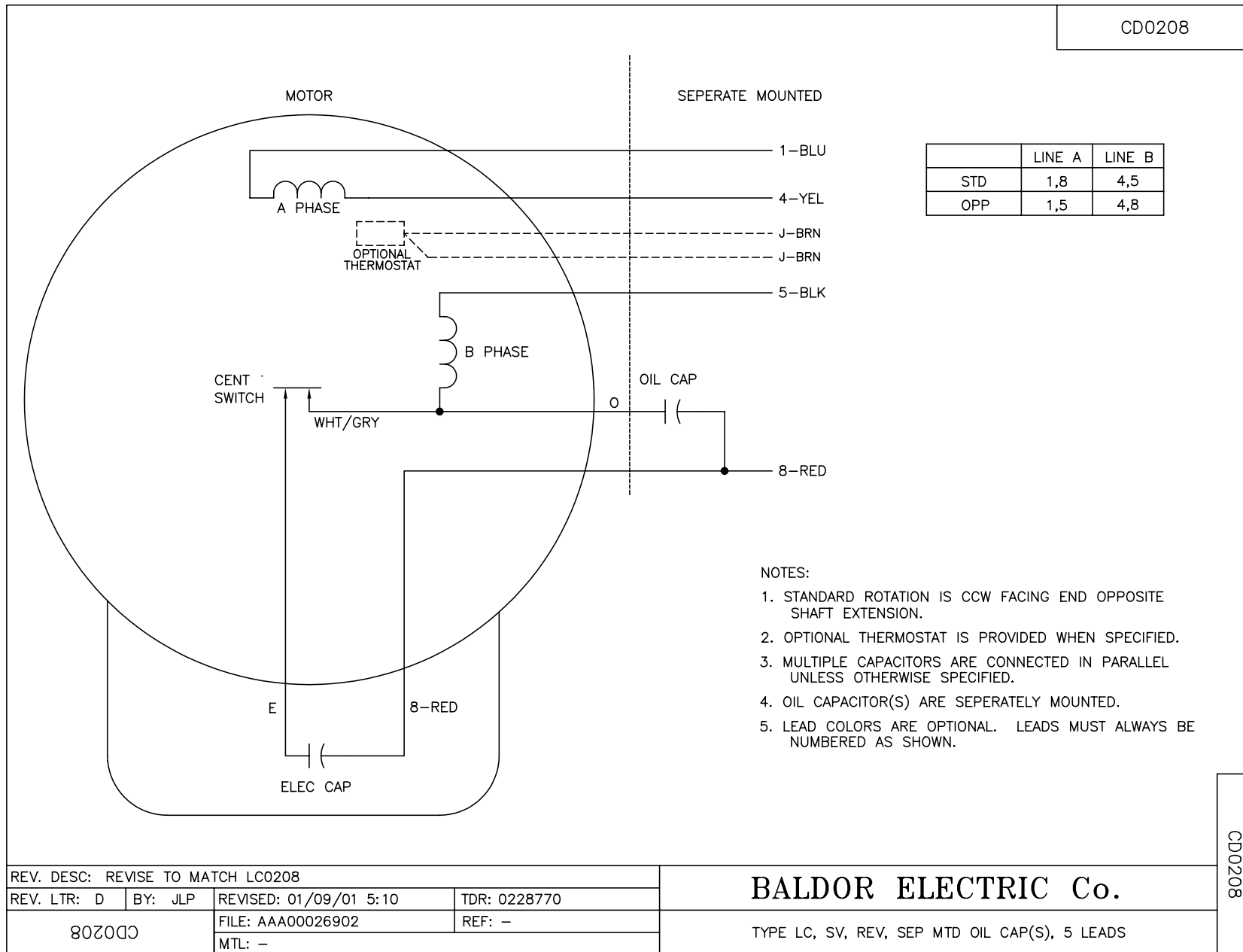
BALDOR

HOR 182-4TZ TENV 36L-LC CROP DRYER T'STATS, CAP.CAN @10 SEAL

SH 1 of 1

36LYQ215

CD0208



| | | | |
|-----------------------------------|---------|------------------------|--------------|
| REV. DESC: REVISE TO MATCH LC0208 | | | |
| REV. LTR: D | BY: JLP | REVISED: 01/09/01 5:10 | TDR: 0228770 |
| 80200 | | FILE: AAA00026902 | REF: - |
| | | MTL: - | |

BALDOR ELECTRIC Co.

TYPE LC, SV, REV, SEP MTD OIL CAP(S), 5 LEADS

CD0208