

BALDOR® • RELIANCE

Product Information Packet

UCL7510

7.5-10.5 AIR OVERHP, 3450RPM, 1PH, 60HZ, 215

Part Detail							
Revision:	G	Status:	PRD/A	Change #:		Proprietary:	No
Type:	AC	Prod. Type:	3729L	Elec. Spec:	37WGZ089	CD Diagram:	CD0086A01
Enclosure:	OPAO	Mfg Plant:		Mech. Spec:	37E767	Layout:	37LYE767
Frame:	215Z	Mounting:	F1	Poles:	02	Created Date:	03-05-2010
Base:	RG	Rotation:	R	Insulation:	F	Eff. Date:	09-10-2015
Leads:	2#8 A PH,2#14 B PH 32" from adapte Y					Replaced By:	
Literature:		Elec. Diagram:					

Nameplate NP1279L							
CAT.NO.	UCL7510						
SPEC.	37E767Z089G1						
HP	7.5-10.5 AIR OVER						
VOLTS	230						
AMP	37-46						
RPM	3450						
FRAME	215Z	HZ	60	PH	1		
SER.F.	1.00	CODE	F	DES	L	CL	F
NEMA-NOM-EFF	81	PF	82				
RATING	40C AMB-CONT						
CC		USABLE AT 208V					
DE	6307	ODE	6206				
ENCL	OPAO	SN					

Nameplate NP1263L							
CAT.NO.	UCL7510						
SPEC.	37E767Z089G1						
HP	7.5-10.5 AIR OVER						
VOLTS	230						
AMP	37-46						
RPM	3450						
FRAME	215Z	HZ	60	PH	1		
SER.F.	1.00	CODE	F	DES	L	CL	F
NEMA-NOM-EFF	81	PF	82				
RATING	40C AMB-CONT						
CC		USABLE AT 208V					
DE	6307	ODE	6206				
ENCL	OPAO	SN					

Parts List		
Part Number	Description	Quantity
SA191802	SA 37E767Z089G1	1.000 EA
RA179460	RA 37E767Z089G1	1.000 EA
EC1216C06SP	ELEC CAP, 216-259 MFD, 250V, 2.06D X 4.	2.000 EA
HW3200A01	3/8-16X3/4 I-BLT WELDED F/S	1.000 EA
HA6011A01	ADAPTOR, MACH	1.000 EA
51XF2520A08	SCREW, HEX SER SLT HD, ZN 1/4-20 X .50 L	2.000 EA
11XW1032G06	10-32 X .38, TAPTITE II, HEX WSHR SLTD U	1.000 EA
HW3001B01	BRASS CUP WASHER, FOR #8 SCREW	1.000 EA
37FE3200A05	FR ENDPLATE, FOR ROUTING PURPOSES	1.000 EA
HW4500A19	1/4-28X1/4 SLOTTED PLUG F/S	2.000 EA
HA1104A01	RODENT SCREEN 37 FRAME 206 BRG FRONT END	1.000 EA
51XW1032A06	10-32 X .38, TAPTITE II, HEX WSHR SLTD S	4.000 EA
HW1000A10	#10 FLAT WASHER (SAE)	4.000 EA
SP1008A01	BAFFLE, MODEL 36 & 37	1.000 EA
13XF0832A08	8-32 X.50 PAN HD,SLTD, TYPE F SCREW, ZIN	2.000 EA
NS2501A01	INSULATOR, CAPACITOR	2.000 EA
35CB4802A02SP	CAPACITOR COVER, STAMPED X W/AUTOPHORET	2.000 EA
51XB1016A05	10-16X5/16HX WA SL SR TYB (F/S)	4.000 EA
HW5100A06	W2420-025 WVY WSHR (WB)	1.000 EA
37PE3201A03	PU ENDPLATE ASSEMBLY FOR ROUTING	1.000 EA
HW4500A19	1/4-28X1/4 SLOTTED PLUG F/S	2.000 EA
HA1104A05	RODENT SCREEN 37 FRAME 207 BRG PULLEY EN	1.000 EA
51XW1032A06	10-32 X .38, TAPTITE II, HEX WSHR SLTD S	2.000 EA
HW1025A10	#10 BALANCE WASHER (SPL)	2.000 EA

Parts List (continued)		
Part Number	Description	Quantity
10XN2520A28	1/4-20X 1 3/4 HEX HD	4.000 EA
HW1001A25	LOCKWASHER 1/4, ZINC PLT .493 OD, .255 I	4.000 EA
XY3118A12	5/16-18 HEX NUT DIRECTIONAL SERRATION	4.000 EA
HA7000A02	KEY RETAINER RING, 1 1/8 DIA, 1 3/8 DIA	1.000 EA
LB1115N	LABEL,LIFTING DEVICE (ON ROLLS)	1.000 EA
LB1001	LABEL, GREASE-EXXON POLYREX EM	1.000 EA
85XU0407S04	4X1/4 U DRIVE PIN STAINLESS	2.000 EA
MJ1000A75	GREASE, POLYREX EM EXXON (USe 4824-15A)	0.050 LB
HW2501E26	KEY, 1/4 SQ X 3.000	1.000 EA
MG1025C02	RAL6081, LIGHT SUPER TAN, GLOSS 85,	0.028 GA
MG1025Z20	ACTIVATOR WILKOFASST 060.32	0.010 GA
LD5000A34	LEAD ASSY, ML1400DF08 W/#10 RING 12"	1.000 EA
WD1000A15	3-520132-2 AMP FLAG (4M/RL NON-CANC/NON-	4.000 EA
SP5172A10	TORQ MODEL 37 TYPE LC SPLIT CAPS,	1.000 EA
HA3104A14	THRUBOLT- 5/16-18 X12.125(OHIO)	4.000 EA
LB1119N	WARNING LABEL	1.000 EA
LC0086	CONNECTION LABEL	1.000 EA
NP1279L	ALUM FARM DUTY UL CSA CC	1.000 EA
NP1263L	AUX, GP, ALUM, CC, LASER ETCHED	1.000 EA
G0PA1000	PKG GRP, PRINT PK1026A06	1.000 EA
MN416A01	TAG-INSTAL-MAINT no wire (1200/bx) 11/14	1.000 EA

Accessories		
Part Number	Description	Multiplier
37-1404	C FACE KIT	A8

AC Induction Motor Performance Data

Record # 12684 - Typical performance - not guaranteed values

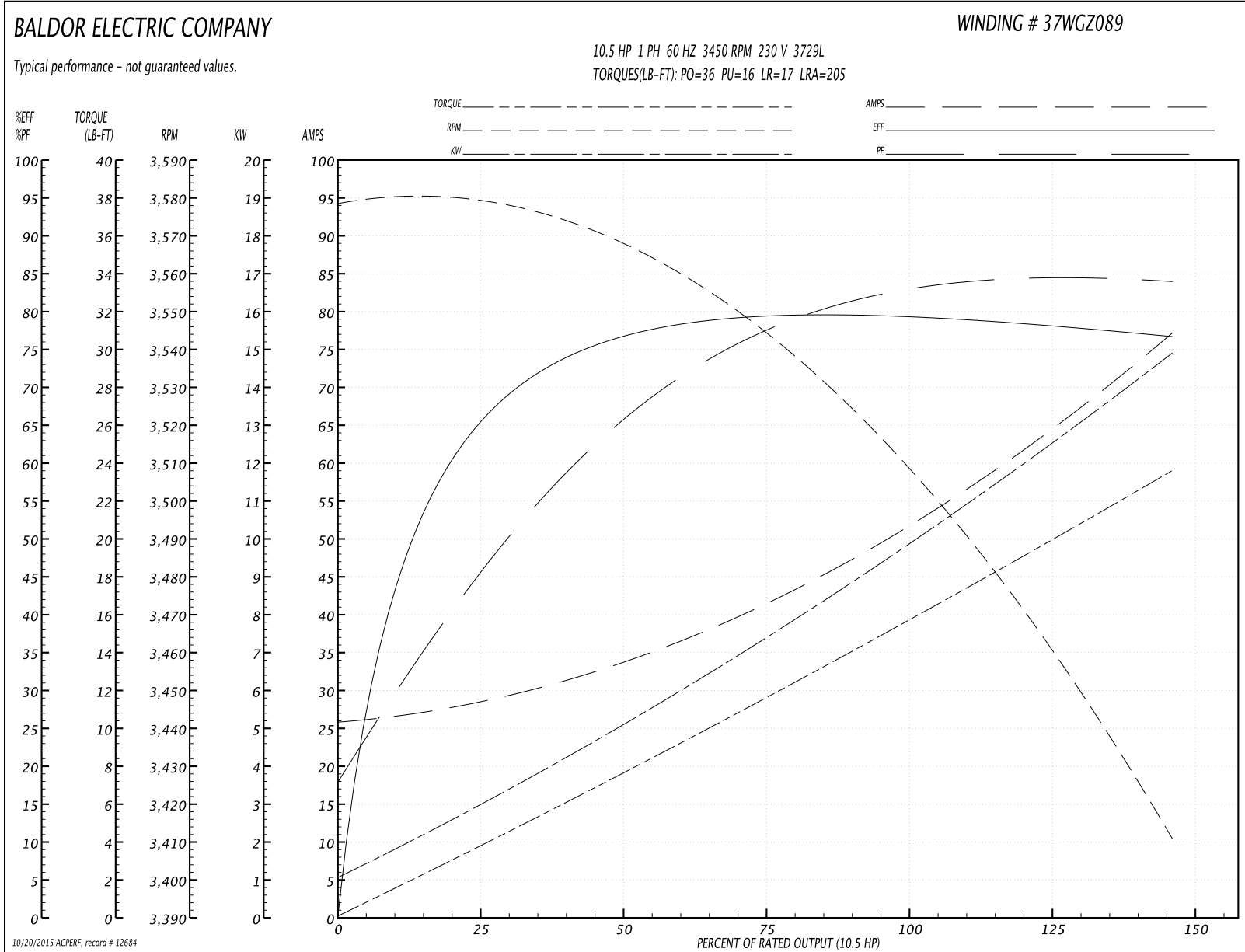
Winding: 37WGZ089-R001	Type: 3729L	Enclosure: OPAO
-------------------------------	--------------------	------------------------

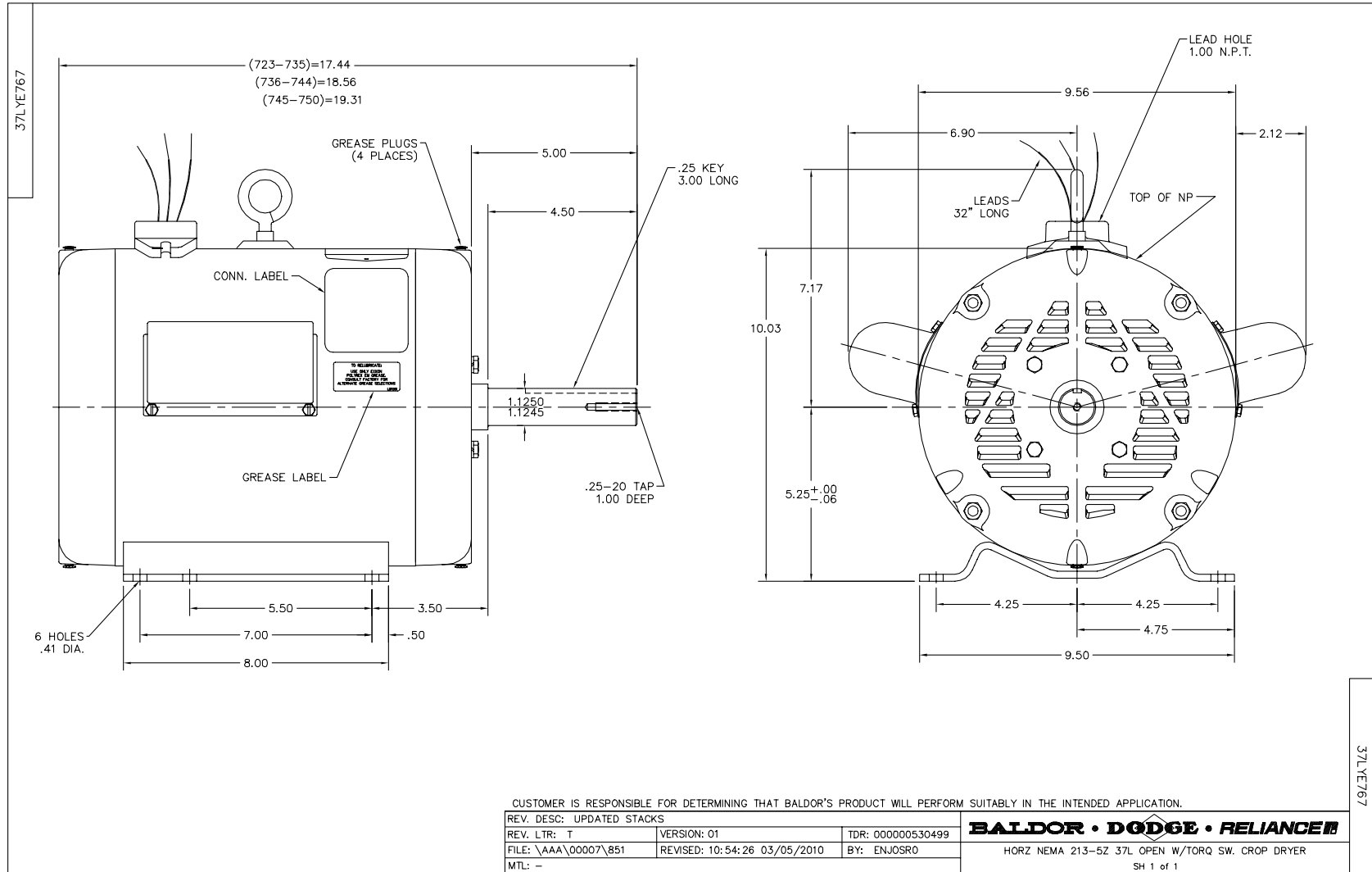
Nameplate Data				230 V, 60 Hz: Single Voltage Motor	
Rated Output (HP)	7.5-10.5 AIR OVER			Full Load Torque	15.8 LB-FT
Volts	230			Start Configuration	direct on line
Full Load Amps	37-46			Breakdown Torque	36 LB-FT
R.P.M.	3450			Pull-up Torque	16 LB-FT
Hz	60	Phase	1	Locked-rotor Torque	17 LB-FT
NEMA Design Code	L	KVA Code	F	Starting Current	205 A
Service Factor (S.F.)	1			No-load Current	25.7 A
NEMA Nom. Eff.	81	Power Factor	82	Line-line Res. @ 25°C	0.194 Ω A Ph 0.743 Ω B Ph
Rating - Duty	40C AMB-CONT			Temp. Rise @ Rated Load	

Load Characteristics 230 V, 60 Hz, 10.5 HP

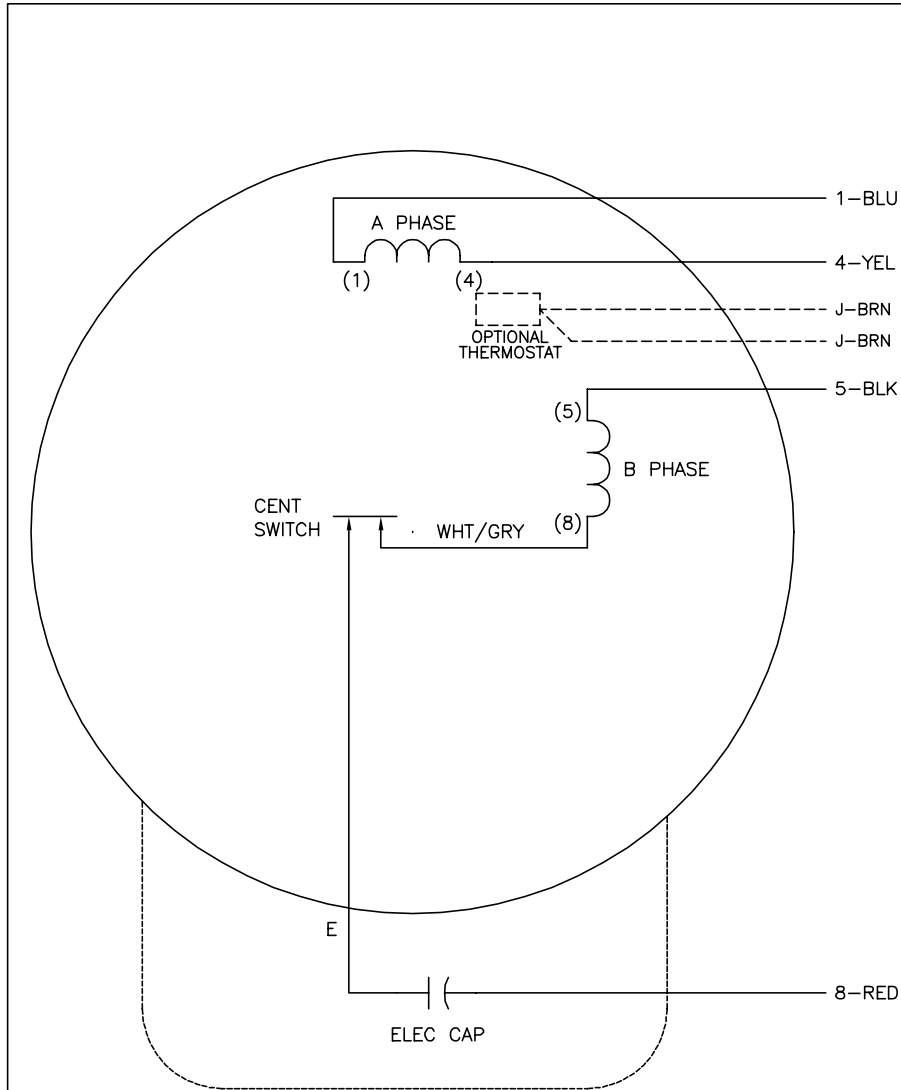
% of Rated Load	25	50	75	100	125	150
Power Factor	46	65	76	82	85	86
Efficiency	64.8	76	79.3	79.8	78.7	76.3
Speed	3570	3544	3515	3583	3444	3397
Line amperes	28.5	34.3	42.2	52	63.6	77.5

Performance Graph at 230V, 60Hz, 10.5HP Typical performance - Not guaranteed values





CD0086A01



	LINE A	LINE B
STD	1,8	4,5
OPP	1,5	4,8

NOTES:

1. STANDARD ROTATION IS CCW FACING END OPPOSITE SHAFT EXTENSION.
2. OPTIONAL THERMOSTAT IS PROVIDED WHEN SPECIFIED.
3. MULTIPLE CAPACITORS ARE CONNECTED IN PARALLEL UNLESS OTHERWISE SPECIFIED.
4. CAPACITORS MAY BE SEPERATELY MOUNTED.
5. LEAD COLORS ARE OPTIONAL. LEADS MUST ALWAYS BE NUMBERED AS SHOWN.

REV. DESC: NEW, REPLACE CD0086 ON TYPE L MOTORS			
REV. LTR: -	VERSION: 00	TDR: 000000378161	
10V980000	FILE: \AAA\00131\051	REVISED: 10:21:26 10/28/2005	
	MTL: -	BY: ENJOEPO	

BALDOR ELECTRIC Co.

TYPE L, SV, REV, 4 LEADS, CAPS MAY BE SEP MTD

CD0086A01