

BALDOR® • **RELIANCE**

Product Information Packet

UCL570

5-7 AIR OVERHP,3450RPM,1PH,60HZ,182TZ,36

Part Detail							
Revision:	F	Status:	PRD/A	Change #:		Proprietary:	No
Type:	AC	Prod. Type:	3646L	Elec. Spec:	36WG3027	CD Diagram:	CD0017A01
Enclosure:	OPAO	Mfg Plant:		Mech. Spec:	36M939	Layout:	36LYM939
Frame:	182TZ	Mounting:	F1	Poles:	02	Created Date:	02-09-2010
Base:	RG	Rotation:	R	Insulation:	F	Eff. Date:	09-10-2015
Leads:	2#10 A PH,2#16 B PH 30" long Y					Replaced By:	
Literature:		Elec. Diagram:					

Nameplate NP1279L							
CAT.NO.	UCL570						
SPEC.	36M939-3027						
HP	5-7 AIR OVER						
VOLTS	230						
AMP	35						
RPM	3450						
FRAME	182TZ	HZ	60	PH	1		
SER.F.	1.00	CODE	M	DES	L	CL	F
NEMA-NOM-EFF	80	PF	82				
RATING	40C AMB-CONT						
CC		USABLE AT 208V					
DE	6206	ODE	6205				
ENCL	OPAO	SN					

Nameplate NP1263L							
CAT.NO.	UCL570						
SPEC.	36M939-3027						
HP	5-7 AIR OVER						
VOLTS	230						
AMP	35						
RPM	3450						
FRAME	182TZ	HZ	60	PH	1		
SER.F.	1.00	CODE	M	DES	L	CL	F
NEMA-NOM-EFF	80	PF	82				
RATING	40C AMB-CONT						
CC		USABLE AT 208V					
DE	6206	ODE	6205				
ENCL	OPAO	SN					

Parts List		
Part Number	Description	Quantity
SA190988	SA 36M939-3027	1.000 EA
RA178652	RA 36M939-3027	1.000 EA
EC1216C06SP	ELEC CAP, 216-259 MFD, 250V, 2.06D X 4.	2.000 EA
HA6021A01SP	ADAPTOR, MACH	1.000 EA
51XB1016A07	10-16 X 7/16 HXWSSLD SERTYB	2.000 EA
11XW1032G06	10-32 X .38, TAPTITE II, HEX WSHR SLTD U	1.000 EA
HW3001B02	1RASS CUP WASHER W/GROUND SYMBOL TAB,	1.000 EA
36EP3200A37	FR ENDPLATE, MACH W/GRD SCREW 30 DEG OFF	1.000 EA
HA1103A08	RODENT SCREEN, 36 FRAME, OPEN, FRONT END	1.000 EA
51XW1032A06	10-32 X .38, TAPTITE II, HEX WSHR SLTD S	4.000 EA
HW1000A10	#10 FLAT WASHER (SAE)	4.000 EA
HW4500A19	1/4-28X1/4 SLOTTED PLUG F/S	2.000 EA
13XF0832A08	8-32 X.50 PAN HD,SLTD, TYPE F SCREW, ZIN	2.000 EA
SP1008A01	BAFFLE, MODEL 36 & 37	1.000 EA
NS2501A01	INSULATOR, CAPACITOR	2.000 EA
51XB1016A05	10-16X5/16HX WA SL SR TYB (F/S)	4.000 EA
HW5100A05	WVY WSHR F/205 & 304 BRGS	1.000 EA
36EP3201A03	FR/PU ENDPLATE, MACH	1.000 EA
HA1103A10	RODENT SCREEN, 36 FRAME, OPEN, PULLEY EN	1.000 EA
51XW1032A06	10-32 X .38, TAPTITE II, HEX WSHR SLTD S	4.000 EA
HW1000A10	#10 FLAT WASHER (SAE)	4.000 EA
HW4500A19	1/4-28X1/4 SLOTTED PLUG F/S	2.000 EA
10XN2520A20	1/4-20X 1 1/4 HEX HD X	2.000 EA
HW1001A25	LOCKWASHER 1/4, ZINC PLT .493 OD, .255 I	2.000 EA

Parts List (continued)		
Part Number	Description	Quantity
XY2520A12	1/4-20 HEX NUT, DIRECTIONAL SERRATIONS	4.000 EA
HW2501E18	KEY, 1/4 SQ X 2.000	1.000 EA
HA7000A02	KEY RETAINER RING, 1 1/8 DIA, 1 3/8 DIA	1.000 EA
85XU0407S04	4X1/4 U DRIVE PIN STAINLESS	2.000 EA
LB1001	LABEL, GREASE-EXXON POLYREX EM	1.000 EA
HW3200A01	3/8-16X3/4 I-BLT WELDED F/S	1.000 EA
MJ1000A75	GREASE, POLYREX EM EXXON (USe 4824-15A)	0.050 LB
LB1115N	LABEL,LIFTING DEVICE (ON ROLLS)	1.000 EA
MG1025Z20	ACTIVATOR WILKOFAS 060.32	0.010 GA
LD5000A24	LEAD ASSY, ML1400DF10 W/#10 RING 12"	1.000 EA
SP5172A13	37 TYPE L TORQ STAT SWITCH LEAD ASSEMBLY	1.000 EA
WD1000A15	3-520132-2 AMP FLAG (4M/RL NON-CANC/NON-	4.000 EA
35CB4802A02SP	CAPACITOR COVER, STAMPED X W/AUTOPHORET	2.000 EA
HA3101A28	THRUBOLT 1/4-20 X 12.500 OHIO ROD	4.000 EA
MG1025C02	RAL6081, LIGHT SUPER TAN, GLOSS 85,	0.022 GA
LB1119N	WARNING LABEL	1.000 EA
LC0017	CONN LABEL-1 PHASE-SINGLE VOLT-REV ROTNO	1.000 EA
NP1279L	ALUM FARM DUTY UL CSA CC	1.000 EA
NP1263L	AUX, GP, ALUM, CC, LASER ETCHED	1.000 EA
36PA1001	PKG GRP, PRINT PK1017A06	1.000 EA
MN416A01	TAG-INSTAL-MAINT no wire (1200/bx) 11/14	1.000 EA

Accessories		
Part Number	Description	Multiplier
36-3403	C FACE KIT	A8
36EP1405A09SP	D-FLANGE KIT	A8

AC Induction Motor Performance Data

Record # 10544 - Typical performance - not guaranteed values

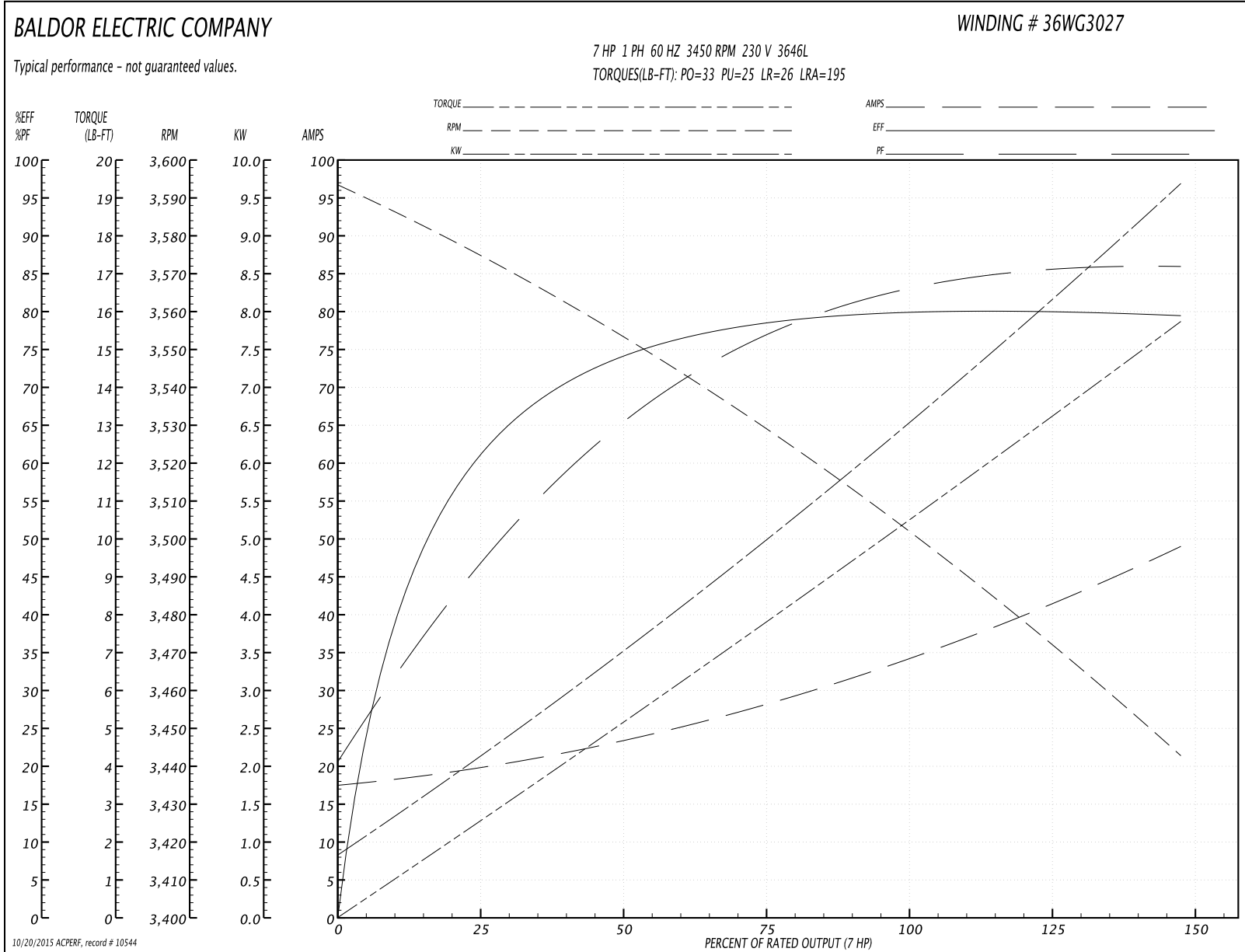
Winding: 36WG3027-R001	Type: 3646L	Enclosure: OPAO
-------------------------------	--------------------	------------------------

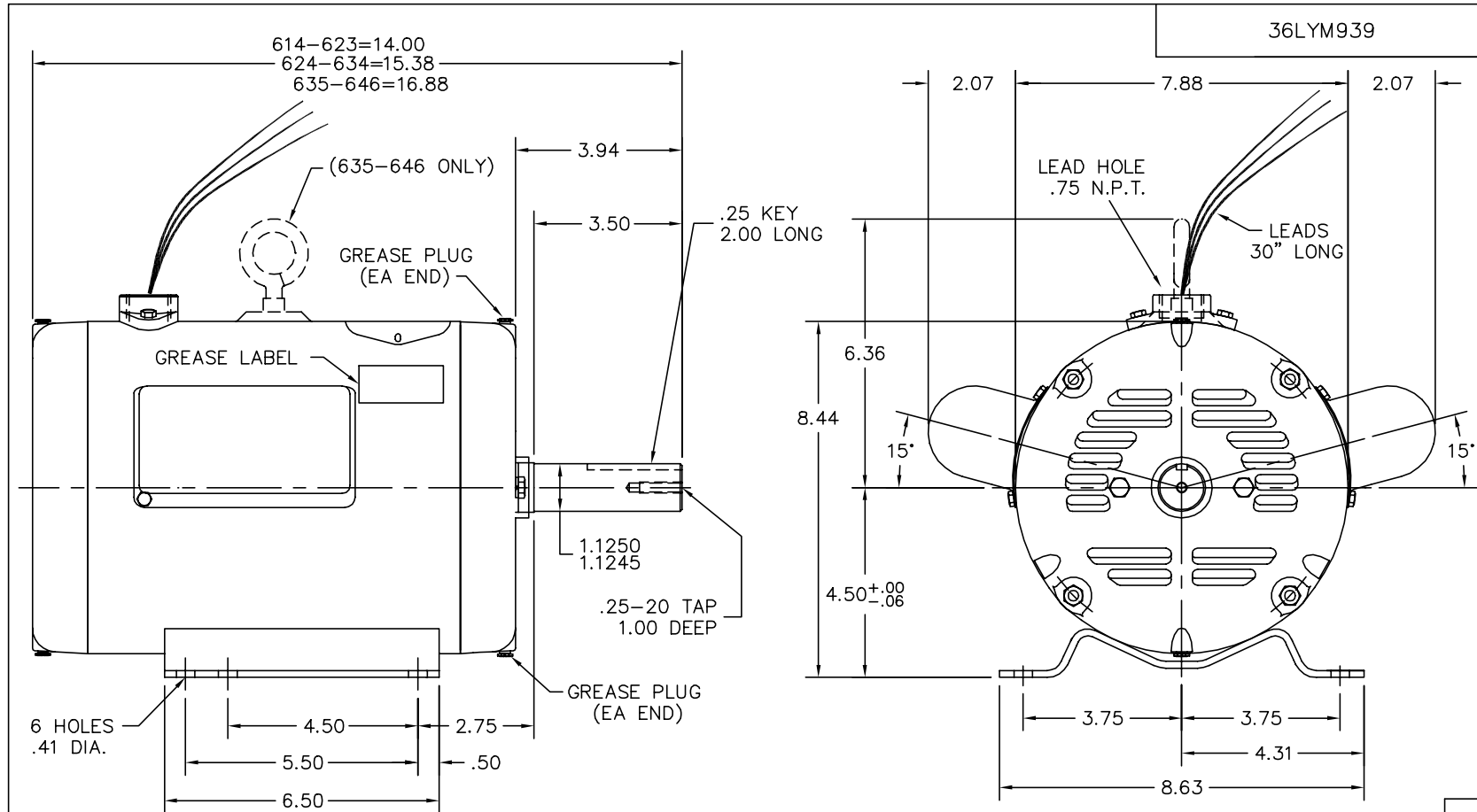
Nameplate Data				230 V, 60 Hz: Single Voltage Motor	
Rated Output (HP)	5-7 AIR OVER			Full Load Torque	10.5 LB-FT
Volts	230			Start Configuration	direct on line
Full Load Amps	35			Breakdown Torque	33 LB-FT
R.P.M.	3450			Pull-up Torque	25 LB-FT
Hz	60	Phase	1	Locked-rotor Torque	26 LB-FT
NEMA Design Code	L	KVA Code	M	Starting Current	195 A
Service Factor (S.F.)	1			No-load Current	17.7 A
NEMA Nom. Eff.	80	Power Factor	82	Line-line Res. @ 25°C	0.206 Ω A Ph 1.08 Ω B Ph
Rating - Duty	40C AMB-CONT			Temp. Rise @ Rated Load	

Load Characteristics 230 V, 60 Hz, 7 HP

% of Rated Load	25	50	75	100	125	150
Power Factor	47	66	77	83	86	88
Efficiency	61.2	74	78.5	80.1	80.2	79.3
Speed	3574	3552	3528	3503	3474	3442
Line amperes	19.6	23.4	28.4	34.4	41.2	48.9

Performance Graph at 230V, 60Hz, 7.0HP Typical performance - Not guaranteed values





CUSTOMER IS RESPONSIBLE FOR DETERMINING THAT BALDOR'S PRODUCT WILL PERFORM SUITABLY IN THE INTENDED APPLICATION.

REV. DESC: NEW		
REV. LTR: -	VERSION: 00	TDR: 000000527135
FILE: \AAA\00169\407	REVISED: 09:11:00 02/09/2010	
MTL: -	BY: ENERIOO	

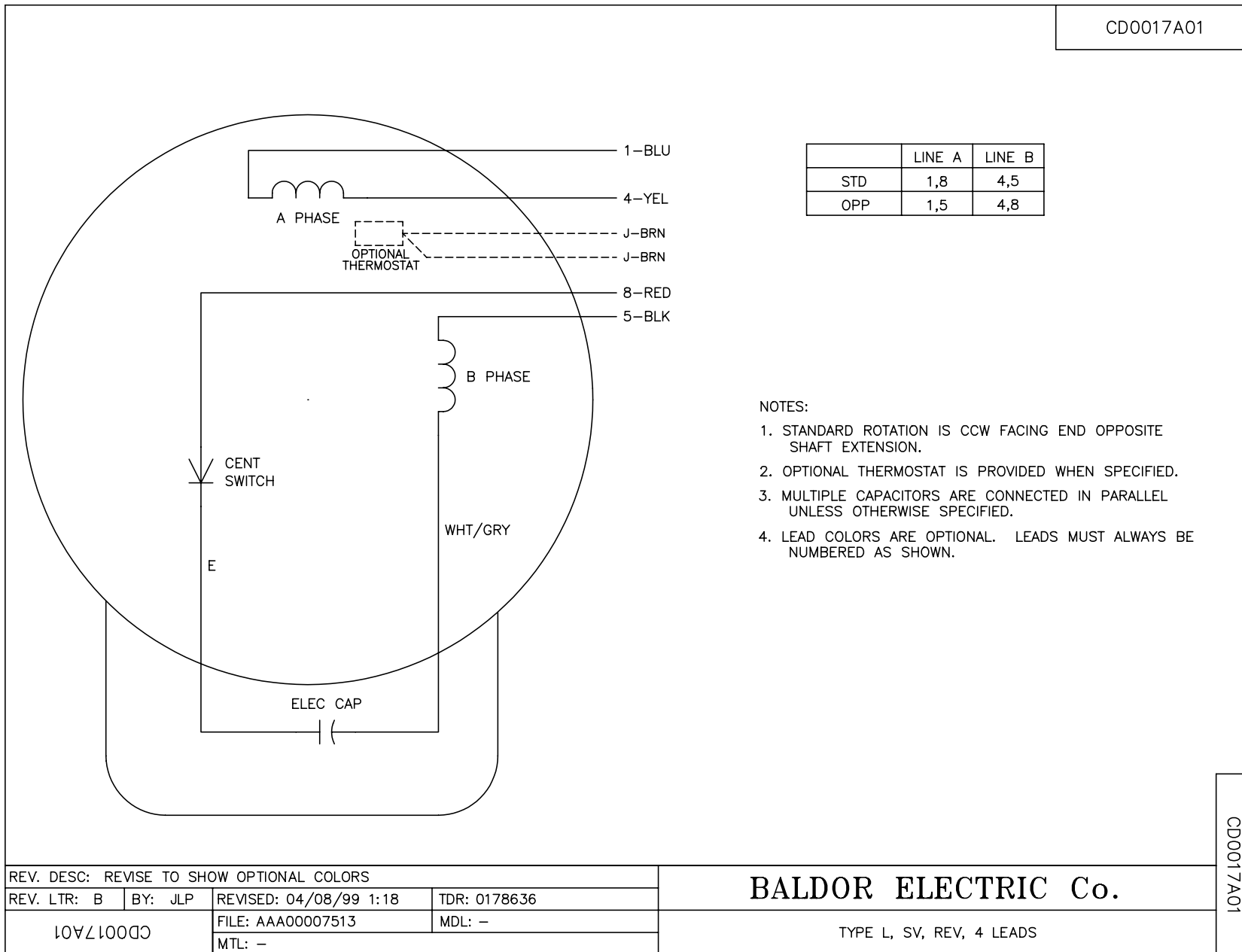
BALDOR • DODGE • RELIANCE

HORZ 182-4TZ OPEN 36L-LC (UNIV CROP DRYER), TORQ SWITCH

SH 1 of 1

36LYM939

CD0017A01



REV. DESC: REVISE TO SHOW OPTIONAL COLORS			
REV. LTR: B	BY: JLP	REVISED: 04/08/99 1:18	TDR: 0178636
CD0017A01		FILE: AAA00007513	MDL: -
		MTL: -	

BALDOR ELECTRIC Co.

TYPE L, SV, REV, 4 LEADS

CD0017A01