

# **BALDOR**® • **RELIANCE**

## **Product Information Packet**

# **UCL345**

**3-4.5HP, 3450RPM, 1PH, 60HZ, 182Z, 3634L, OPEN**

Part Detail							
Revision:	AL	Status:	PRD/A	Change #:		Proprietary:	No
Type:	AC	Prod. Type:	3634L	Elec. Spec:	36WG2510	CD Diagram:	CD0017A01
Enclosure:	OPEN	Mfg Plant:		Mech. Spec:	36F549	Layout:	36LYF549
Frame:	182Z	Mounting:	F1	Poles:	02	Created Date:	
Base:	RG	Rotation:	R	Insulation:	F	Eff. Date:	09-10-2015
Leads:	2#12 A PH,2#16 B PH 30" LG			Y			Replaced By:
Literature:		Elec. Diagram:					

<b>Nameplate NP1279L</b>							
CAT.NO.	UCL345						
SPEC.	36F549-2510						
HP	3-4.5 AIR OVER						
VOLTS	230						
AMP	22						
RPM	3450						
FRAME	182Z	HZ	60	PH	1		
SER.F.	1.00	CODE	F	DES	L	CL	F
NEMA-NOM-EFF	74	PF	86				
RATING	40C AMB-CONT						
CC	USABLE AT 208V						
DE	6206	ODE	6205				
ENCL	OPEN	SN					

<b>Nameplate NP1263L</b>							
CAT.NO.	UCL345						
SPEC.	36F549-2510						
HP	3-4.5 AIR OVER						
VOLTS	230						
AMP	22						
RPM	3450						
FRAME	182Z	HZ	60	PH	1		
SER.F.	1.00	CODE	F	DES	L	CL	F
NEMA-NOM-EFF	74	PF	86				
RATING	40C AMB-CONT						
CC		USABLE AT 208V					
DE	6206	ODE	6205				
ENCL	OPEN	SN					

Parts List		
Part Number	Description	Quantity
SA035080	SA 36F549-2510	1.000 EA
RA031107	RA 36F549-2510	1.000 EA
EC1216C06SP	ELEC CAP, 216-259 MFD, 250V, 2.06D X 4.	1.000 EA
HA6021A01SP	ADAPTOR, MACH	1.000 EA
51XB1016A07	10-16 X 7/16 HXWSSLD SERTYB	2.000 EA
11XW1032G06	10-32 X .38, TAPTITE II, HEX WSHR SLTD U	1.000 EA
HW3001B01	BRASS CUP WASHER, FOR #8 SCREW	1.000 EA
36EP3200A37	FR ENDPLATE, MACH W/GRD SCREW 30 DEG OFF	1.000 EA
HA1103A08	RODENT SCREEN, 36 FRAME, OPEN, FRONT END	1.000 EA
51XW1032A06	10-32 X .38, TAPTITE II, HEX WSHR SLTD S	4.000 EA
HW1000A10	#10 FLAT WASHER (SAE)	4.000 EA
HW4500A19	1/4-28X1/4 SLOTTED PLUG F/S	2.000 EA
13XF0832A08	8-32 X.50 PAN HD,SLTD, TYPE F SCREW, ZIN	2.000 EA
SP1008A01	BAFFLE, MODEL 36 & 37	1.000 EA
NS2501A01	INSULATOR, CAPACITOR	1.000 EA
51XB1016A05	10-16X5/16HX WA SL SR TYB (F/S)	2.000 EA
HW5100A05	WVY WSHR F/205 & 304 BRGS	1.000 EA
36EP3201A03	FR/PU ENDPLATE, MACH	1.000 EA
HA1103A10	RODENT SCREEN, 36 FRAME, OPEN, PULLEY EN	1.000 EA
51XW1032A06	10-32 X .38, TAPTITE II, HEX WSHR SLTD S	4.000 EA
HW1000A10	#10 FLAT WASHER (SAE)	4.000 EA
HW4500A19	1/4-28X1/4 SLOTTED PLUG F/S	2.000 EA
10XN2520A20	1/4-20X 1 1/4 HEX HD X	2.000 EA
HW1001A25	LOCKWASHER 1/4, ZINC PLT .493 OD, .255 I	2.000 EA

<b>Parts List (continued)</b>		
<b>Part Number</b>	<b>Description</b>	<b>Quantity</b>
XY2520A12	1/4-20 HEX NUT, DIRECTIONAL SERRATIONS	4.000 EA
HW2501D13SP	KEY, 3/16 SQ X 1.375	1.000 EA
HA7000A01	KEY RETAINER 7/8" DIA SHAFT	1.000 EA
85XU0407S04	4X1/4 U DRIVE PIN STAINLESS	2.000 EA
LB1001	LABEL, GREASE-EXXON POLYREX EM	1.000 EA
WD1000A15	3-520132-2 AMP FLAG (4M/RL NON-CANC/NON-	2.000 EA
MJ1000A75	GREASE, POLYREX EM EXXON (USe 4824-15A)	0.050 LB
LD5000A23	LEAD ASSY, ML1400DF10 W/#10 RING 12"	1.000 EA
MG1025Z20	ACTIVATOR WILKOFAS 060.32	0.010 GA
SP5172A43	37 TYPE L TORQ STAT SWITCH LEAD ASSEMBLY	1.000 EA
35CB4802A02SP	CAPACITOR COVER, STAMPED X W/AUTOPHORET	1.000 EA
HA3101A25	THRUBOLT 1/4-20 X 11.000 OHIO ROD	4.000 EA
MG1025C02	RAL6081, LIGHT SUPER TAN, GLOSS 85,	0.022 GA
LB1119N	WARNING LABEL	1.000 EA
LC0017	CONN LABEL-1 PHASE-SINGLE VOLT-REV ROTNO	1.000 EA
NP1279L	ALUM FARM DUTY UL CSA CC	1.000 EA
NP1263L	AUX, GP, ALUM, CC, LASER ETCHED	1.000 EA
36PA1000	PKG GRP, PRINT PK1016A06	1.000 EA
MN416A01	TAG-INSTAL-MAINT no wire (1200/bx) 11/14	1.000 EA

<b>Accessories</b>		
<b>Part Number</b>	<b>Description</b>	<b>Multiplier</b>
36-1037	C FACE KIT	A8
36EP1405A09SP	D-FLANGE KIT	A8

**AC Induction Motor Performance Data**

Record # 10531 - Typical performance - not guaranteed values

<b>Winding:</b> 36WG2510-R001	<b>Type:</b> 3634L	<b>Enclosure:</b> OPAO
-------------------------------	--------------------	------------------------

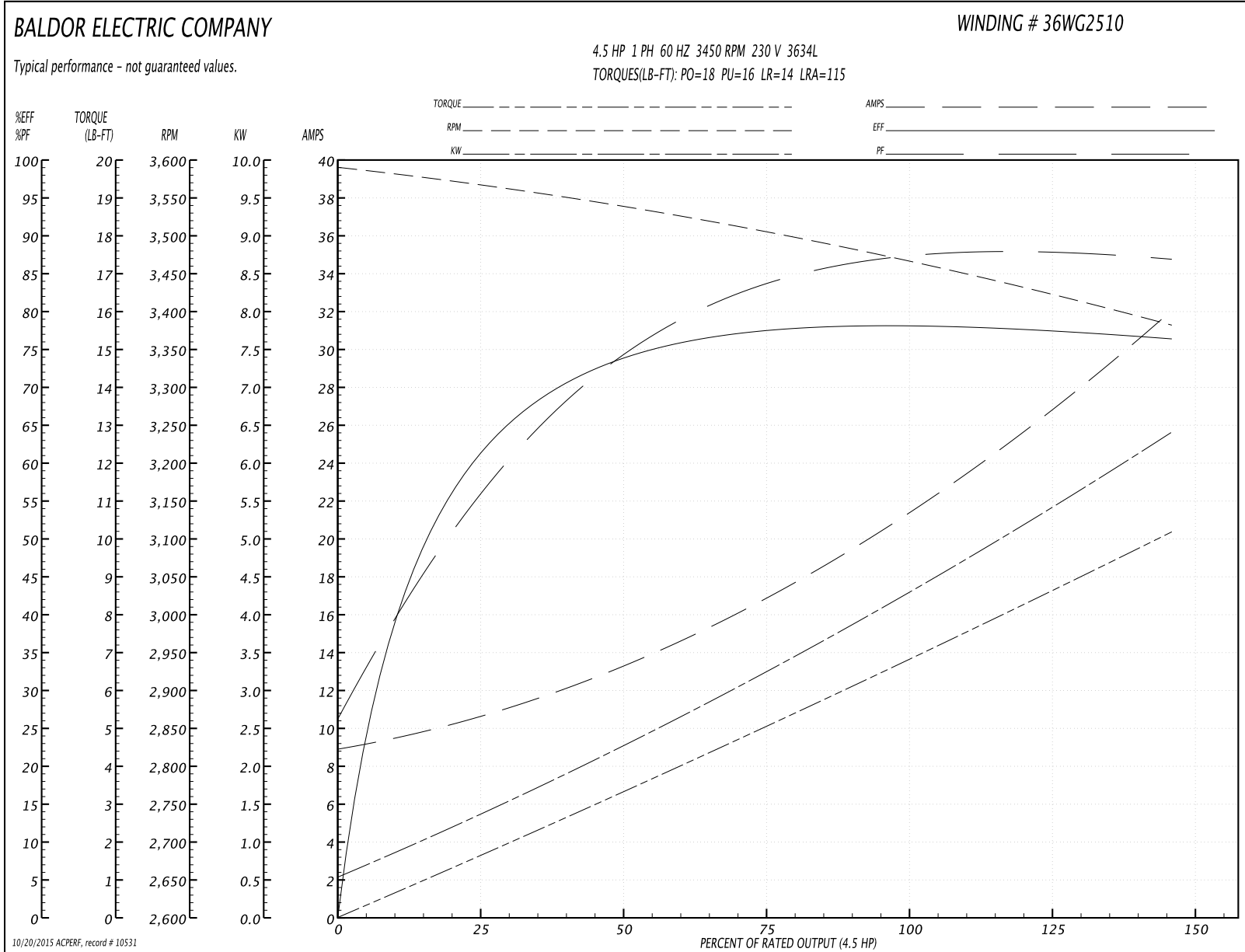
Nameplate Data				230 V, 60 Hz: Single Voltage Motor	
Rated Output (HP)	3-4.5 AIR OVER			Full Load Torque	6.8 LB-FT
Volts	230			Start Configuration	direct on line
Full Load Amps	22			Breakdown Torque	18 LB-FT
R.P.M.	3450			Pull-up Torque	16 LB-FT
Hz	60	Phase	1	Locked-rotor Torque	14 LB-FT
NEMA Design Code	L	KVA Code	F	Starting Current	115 A
Service Factor (S.F.)	1			No-load Current	9 A
NEMA Nom. Eff.	74	Power Factor	86	Line-line Res. @ 25°C	0.393 Ω A Ph 1.72 Ω B Ph
Rating - Duty	40C AMB-CONT			Temp. Rise @ Rated Load	

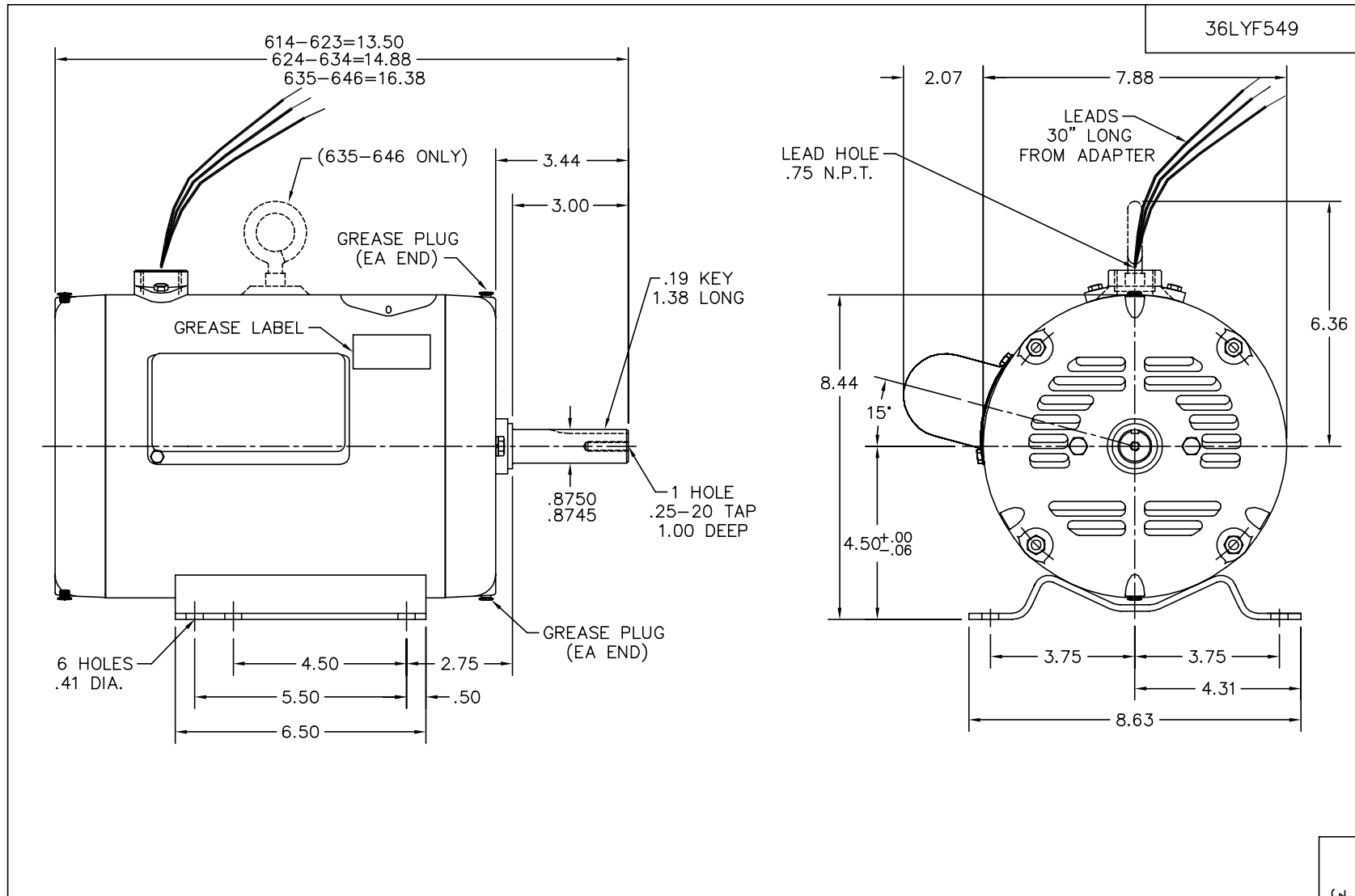
Load Characteristics 230 V, 60 Hz, 4.5 HP

% of Rated Load	25	50	75	100	125	150
Power Factor	57	74	83	87	89	90
Efficiency	61.1	73.4	77.5	78.5	77.9	76.1
Speed	3565	3536	3504	3469	3428	3380
Line amperes	10.5	13.4	17.1	21.4	26.3	32.1



Performance Graph at 230V, 60Hz, 4.5HP Typical performance - Not guaranteed values





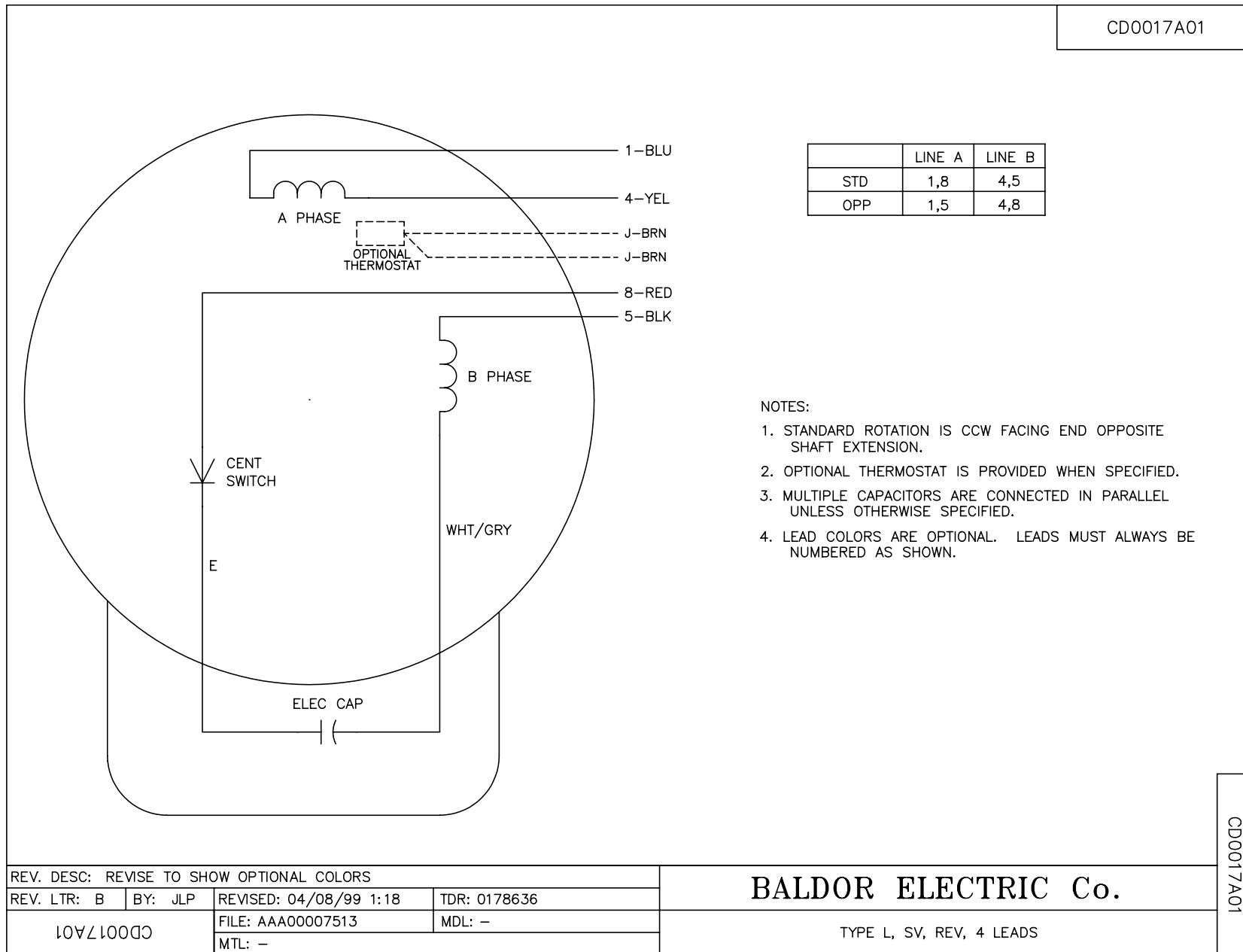
CUSTOMER IS RESPONSIBLE FOR DETERMINING THAT MOTOR PERFORMANCE IS SUITABLE IN THE APPLICATION.

REV. DESC: ADDED EYEBOLT			
REV. LTR: G	BY: SSS	REVISED: 15: 41: 30 08/15/2002	TDR: 254586
36LYF549		FILE: AAA00004479	REF: 36LYF549
		MTL: -	

<b>BALDOR ELECTRIC Co.</b>
STD HORZ NEMA 182-4Z OPEN 36L (UNIV CROP DRYER)

36LYF549

CD0017A01



REV. DESC: REVISE TO SHOW OPTIONAL COLORS			
REV. LTR: B	BY: JLP	REVISED: 04/08/99 1:18	TDR: 0178636
CD0017A01		FILE: AAA00007513	MDL: -
		MTL: -	

**BALDOR ELECTRIC Co.**

TYPE L, SV, REV, 4 LEADS

CD0017A01