

# **BALDOR**® • ***RELIANCE***

## **Product Information Packet**

# **M3542**

**.75HP, 1725RPM, 3PH, 60HZ, 56, 3420M, TEFC, F1**

| Part Detail |      |                |       |             |          |               |            |
|-------------|------|----------------|-------|-------------|----------|---------------|------------|
| Revision:   | U    | Status:        | PRD/A | Change #:   |          | Proprietary:  | No         |
| Type:       | AC   | Prod. Type:    | 3420M | Elec. Spec: | 34WG0883 | CD Diagram:   | CD0005     |
| Enclosure:  | TEFC | Mfg Plant:     |       | Mech. Spec: | 34A061   | Layout:       | 34LYA061   |
| Frame:      | 56   | Mounting:      | F1    | Poles:      | 04       | Created Date: |            |
| Base:       | RG   | Rotation:      | R     | Insulation: | B        | Eff. Date:    | 07-09-2015 |
| Leads:      | 9#18 |                |       |             |          | Replaced By:  |            |
| Literature: |      | Elec. Diagram: |       |             |          |               |            |

|                          |                 |                |      |     |   |       |   |
|--------------------------|-----------------|----------------|------|-----|---|-------|---|
| <b>Nameplate NP1256L</b> |                 |                |      |     |   |       |   |
| CAT.NO.                  | M3542           |                |      |     |   |       |   |
| SPEC.                    | 34A61-883       |                |      |     |   |       |   |
| HP                       | .75             |                |      |     |   |       |   |
| VOLTS                    | 208-230/460     |                |      |     |   |       |   |
| AMP                      | 3.2-3/1.5       |                |      |     |   |       |   |
| RPM                      | 1725            |                |      |     |   |       |   |
| FRAME                    | 56              | HZ             | 60   | PH  | 3 |       |   |
| SER.F.                   | 1.25            | CODE           | K    | DES | B | CLASS | B |
| NEMA-NOM-EFF             | 75.5            | PF             | 60   |     |   |       |   |
| RATING                   | 40C AMB-CONT    |                |      |     |   |       |   |
| CC                       |                 | USABLE AT 208V | 3.6  |     |   |       |   |
| DE                       | 6203            | ODE            | 6203 |     |   |       |   |
| ENCL                     | TEFC            | SN             |      |     |   |       |   |
|                          | SFA 3.6-3.4/1.7 |                |      |     |   |       |   |

| Parts List    |  |          |
|---------------|--|----------|
| Part Number   | Description                              | Quantity |
| SA009795      | SA 34A61-883                             | 1.000 EA |
| RA006240      | RA 34A61-883                             | 1.000 EA |
| NS2512A01     | INSULATOR, CONDUIT BOX X                 | 1.000 EA |
| 34CB3002A     | CB CAST W/.88 DIA HOLE                   | 1.000 EA |
| 34GS1029A01   | GASKET, CONDUIT BOX                      | 1.000 EA |
| 51XB1016A07   | 10-16 X 7/16 HXWSSLD SERTYB              | 2.000 EA |
| 11XW1032G06   | 10-32 X .38, TAPTITE II, HEX WSHR SLTD U | 1.000 EA |
| 34EP3102A01SP | FR ENDPLATE, MACH                        | 1.000 EA |
| HW5100A03SP   | WAVY WASHER (W1543-017)                  | 1.000 EA |
| 34EP3102A02SP | FR/PU ENDPLATE, MACH                     | 1.000 EA |
| XY1032A02     | 10-32 HEX NUT DIRECTIONAL SERRATION      | 4.000 EA |
| 34FN3002A01SP | EXTERNAL FAN, PLASTIC, .637/.639 HUB W/  | 1.000 EA |
| 34FH4002A01SP | IEC FH NO GREASER                        | 1.000 EA |
| 51XW1032A06   | 10-32 X .38, TAPTITE II, HEX WSHR SLTD S | 3.000 EA |
| 34CB4517      | CB LID 4 MTG HOLES .22 DIA STAMPED, FOR  | 1.000 EA |
| 34GS1031A01   | GASKET, FLAT CONDUIT BOX LID (LEXIDE)    | 1.000 EA |
| 51XW0832A07   | 8-32 X .44, TAPTITE II, HEX WSHR SLTD SE | 4.000 EA |
| HW2501D13SP   | KEY, 3/16 SQ X 1.375                     | 1.000 EA |
| HA7000A04     | KEY RETAINER 0.625 DIA SHAFTS            | 1.000 EA |
| MG1000G27     | MED CHARCOAL METALLIC GREY               | 0.014 GA |
| 10XF0440S02   | 04-40 X 1/8 TYPE F HEX HD STAINLESS STIC | 2.000 EA |
| HA3100A12     | THRUBOLT 10-32 X 7.375                   | 4.000 EA |
| MN416A01      | TAG-INSTAL-MAINT no wire (1200/bx) 11/14 | 1.000 EA |
| LC0005E01     | CONN.DIA./WARNING LABEL (LC0005/LB1119N) | 1.000 EA |

| Parts List (continued) |                             |          |
|------------------------|-----------------------------|----------|
| Part Number            | Description                 | Quantity |
| NP1256L                | ALUM UL CSA CC              | 1.000 EA |
| 34PA1005               | PKG GRP, PRINT    PK1008A06 | 1.000 EA |

| <b>Accessories</b> |                    |                   |
|--------------------|--------------------|-------------------|
| <b>Part Number</b> | <b>Description</b> | <b>Multiplier</b> |
| 34-171             | C FACE KIT         | A8                |

**AC Induction Motor Performance Data**  
Record # 6605 - Typical performance - not guaranteed values

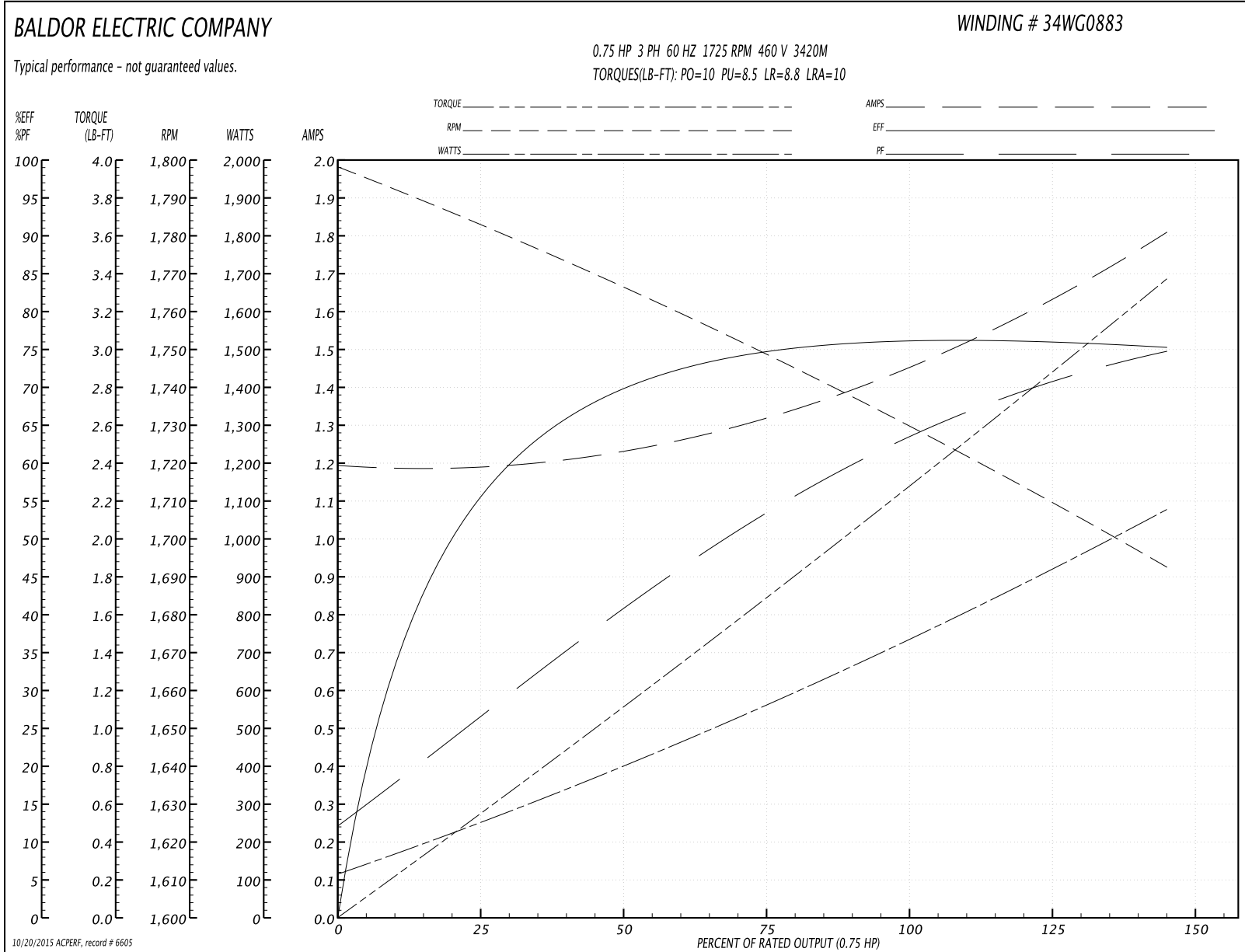
|                               |                    |                        |
|-------------------------------|--------------------|------------------------|
| <b>Winding:</b> 34WG0883-R001 | <b>Type:</b> 3420M | <b>Enclosure:</b> TEFC |
|-------------------------------|--------------------|------------------------|

| Nameplate Data        |              |              |    | 460 V, 60 Hz:<br>High Voltage Connection |                |
|-----------------------|--------------|--------------|----|--|----------------|
| Rated Output (HP)     | .75          |              |    | Full Load Torque                         | 2.25 LB-FT     |
| Volts                 | 208-230/460  |              |    | Start Configuration                      | direct on line |
| Full Load Amps        | 3.2-3/1.5    |              |    | Breakdown Torque                         | 10 LB-FT       |
| R.P.M.                | 1725         |              |    | Pull-up Torque                           | 8.5 LB-FT      |
| Hz                    | 60           | Phase        | 3  | Locked-rotor Torque                      | 8.8 LB-FT      |
| NEMA Design Code      | B            | KVA Code     | K  | Starting Current                         | 10 A           |
| Service Factor (S.F.) | 1.25         |              |    | No-load Current                          | 1.2 A          |
| NEMA Nom. Eff.        | 75.5         | Power Factor | 60 | Line-line Res. @ 25°C                    | 17.68 Ω        |
| Rating - Duty         | 40C AMB-CONT |              |    | Temp. Rise @ Rated Load                  | 74°C           |
| S.F. Amps             | 3.6-3.4/1.7  |              |    | Temp. Rise @ S.F. Load                   | 91°C           |

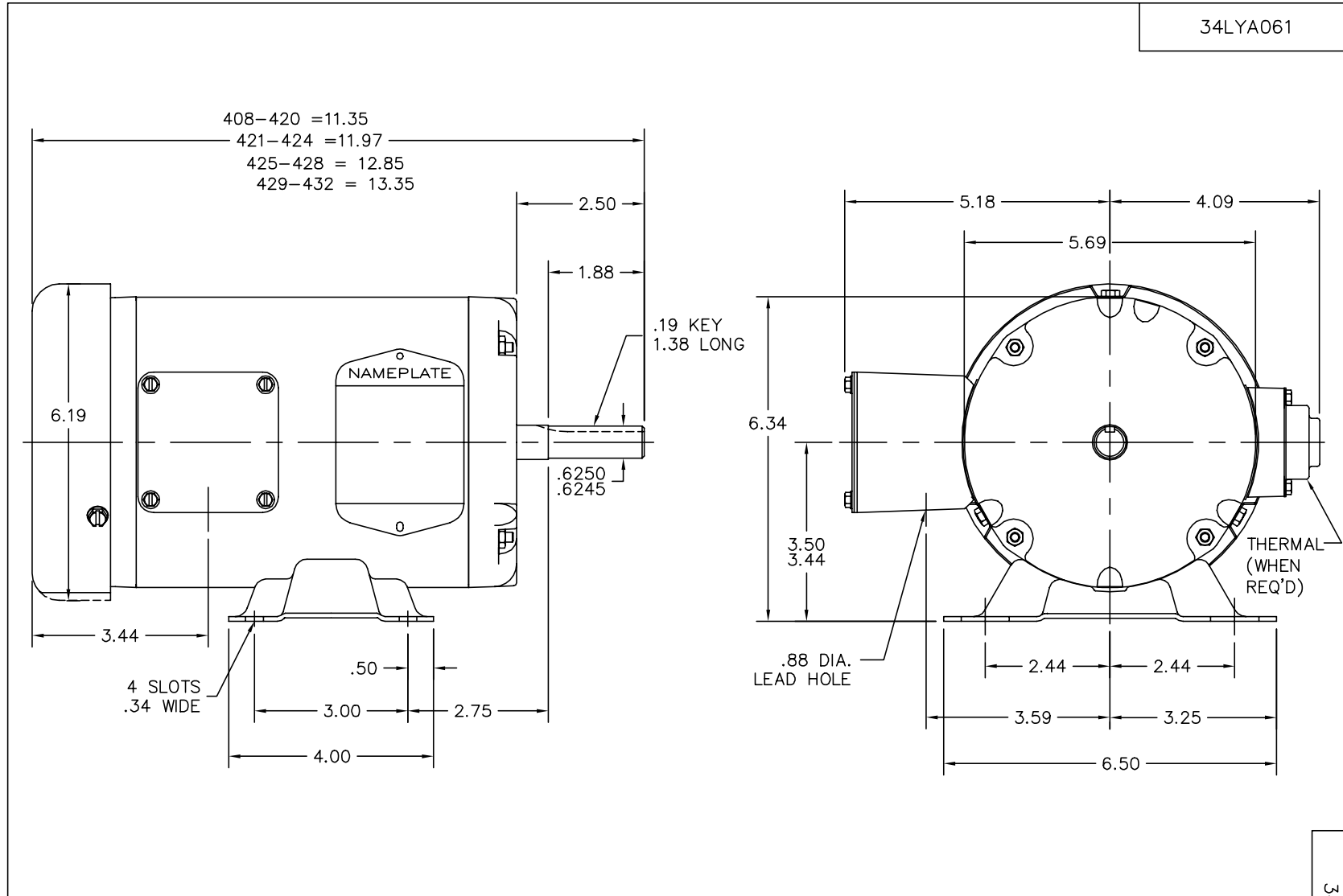
Load Characteristics 460 V, 60 Hz, 0.75 HP

| % of Rated Load | 25   | 50   | 75   | 100  | 125  | 150  | S.F. |
|-----------------|------|------|------|------|------|------|------|
| Power Factor    | 28   | 42   | 55   | 64   | 71   | 76   | 71   |
| Efficiency      | 56.1 | 69.7 | 74.7 | 76.2 | 76.1 | 75.2 | 76.1 |
| Speed           | 1783 | 1766 | 1749 | 1731 | 1711 | 1693 | 1711 |
| Line amperes    | 1.2  | 1.2  | 1.3  | 1.5  | 1.6  | 1.8  | 1.6  |

Performance Graph at 460V, 60Hz, 0.75HP Typical performance - Not guaranteed values







CUSTOMER IS RESPONSIBLE FOR DETERMINING THAT MOTOR PERFORMANCE IS SUITABLE IN THE APPLICATION.

|   |                      |                              |
|---|----------------------|------------------------------|
| REV. DESC: ADDED DIM 3.44, UPDATE ASSEMBLY PART & DRAWING |                      |                              |
| REV. LTR: J   | VERSION: 02          | TDR: 000000358076            |
| 34LYA061  | FILE: \AAA\00000\561 | REVISED: 13:19:12 02/25/2005 |
|   | MTL: -               | BY: ENROSTO                  |

**BALDOR ELECTRIC Co.**

STD HORZ 34M NEMA 56 TEFC

34LYA061

CD0005

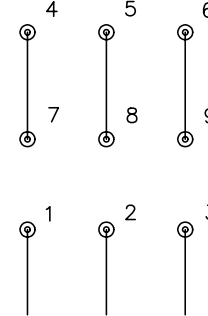


LOW VOLTAGE  
(2Y)



LINE

HIGH VOLTAGE  
(1Y)



LINE

NOTES:

1. INTERCHANGE ANY TWO LINE LEADS TO REVERSE ROTATION.
2. OPTIONAL THERMOSTATS ARE PROVIDED WHEN SPECIFIED.
3. ACTUAL NUMBER OF INTERNAL PARALLEL CIRCUITS MAY BE A MULTIPLE OF THOSE SHOWN ABOVE.
4. LEAD COLORS ARE OPTIONAL. LEADS MUST ALWAYS BE NUMBERED AS SHOWN.

|   |         |                         |              |
|---|---------|-------------------------|--------------|
| REV. DESC: REVISE TO SHOW OPTIONAL COLORS |         |                         |              |
| REV. LTR: E                               | BY: JLP | REVISED: 01/19/99 10:15 | TDR: 0171435 |
| 90000                                     |         | FILE: AAA00005140       | MDL: -       |
|   |         | MTL: -                  |              |

**BALDOR ELECTRIC Co.**

3PH, DV, 9 LEADS

CD0005