

BALDOR® • **RELIANCE**

Product Information Packet

M3353

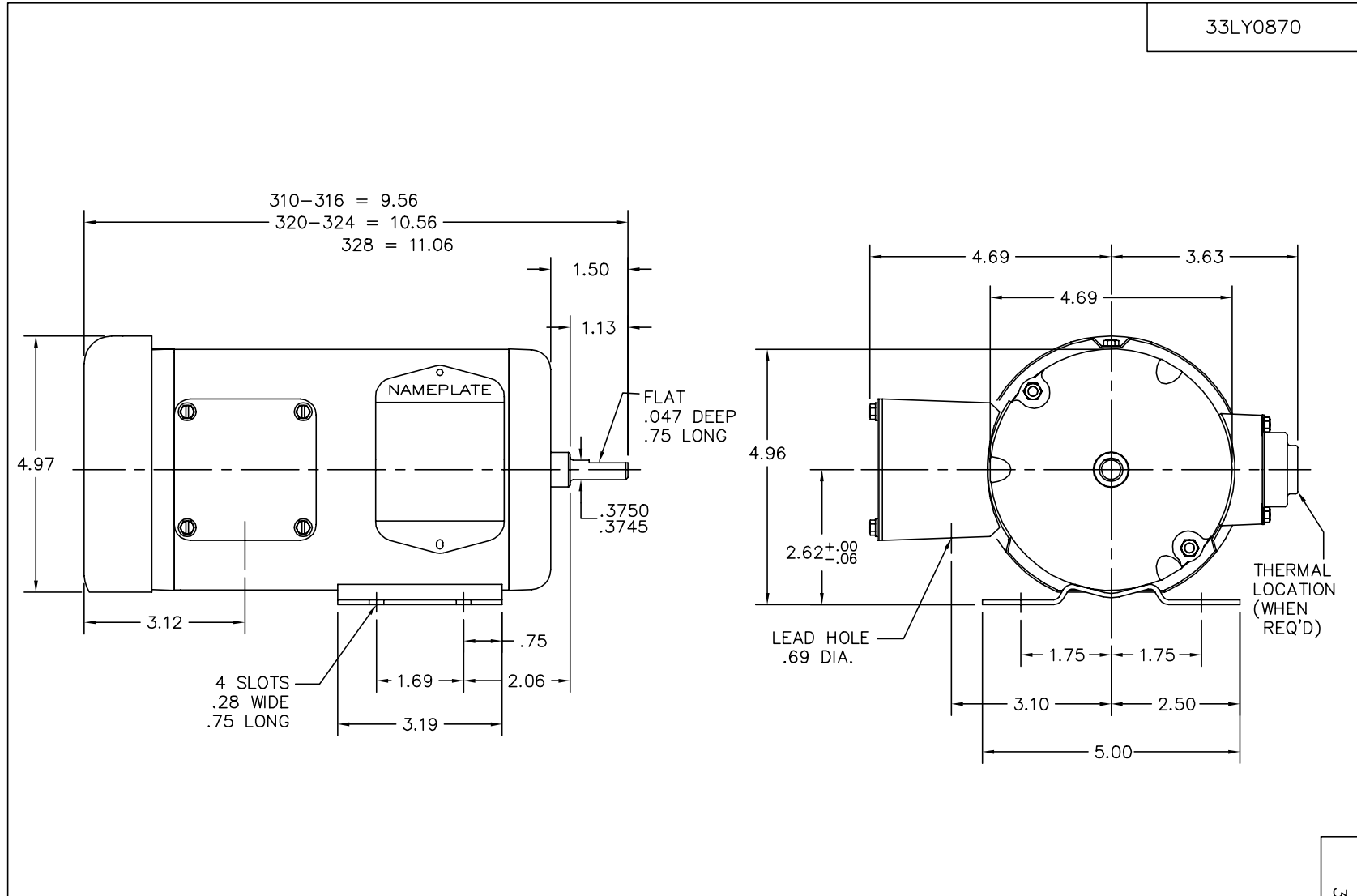
.13HP,1725RPM,3PH,60HZ,42,3313M,TEFC,F1

Part Detail							
Revision:	X	Status:	PRD/A	Change #:		Proprietary:	No
Type:	AC	Prod. Type:	3313M	Elec. Spec:	33WG0515	CD Diagram:	CD0005A05
Enclosure:	TEFC	Mfg Plant:		Mech. Spec:	33-870	Layout:	33LY0870
Frame:	42	Mounting:	F1	Poles:	04	Created Date:	06-25-2007
Base:	RG	Rotation:	R	Insulation:	B	Eff. Date:	09-30-2015
Leads:	9#18					Replaced By:	
Literature:		Elec. Diagram:					

Nameplate NP1256L							
CAT.NO.	M3353						
SPEC.	33-870-515						
HP	.13						
VOLTS	230/460						
AMP	1/5						
RPM	1725						
FRAME	42	HZ	60	PH	3		
SER.F.	1.40	CODE	-	DES	-	CLASS	B
NEMA-NOM-EFF	44	PF	42				
RATING	40C AMB-CONT						
CC		USABLE AT 208V	1.15				
DE	6203	ODE	6203				
ENCL	TEFC	SN					
	SFA 1.1/.55						

Parts List		
Part Number	Description	Quantity
SA007370	SA 33-870-515	1.000 EA
RA003817	RA 33-870-515	1.000 EA
LC0005	CONN.DIA.,TY M,9-LD,DUAL VOLT,REVERSING	1.000 EA
34CB3002C	CB CAST W/.69 DIA HOLE	1.000 EA
34GS1029A01	GASKET, CONDUIT BOX	1.000 EA
51XB1016A07	10-16 X 7/16 HXWSSLD SERTYB	2.000 EA
11XW1032G06	10-32 X .38, TAPTITE II, HEX WSHR SLTD U	1.000 EA
33EP3100A01SP	EP,33AC ODE GP 6203 TEFC W/DRAIN	1.000 EA
HW5109A05	WASHER, WAVE SPRING FOR 40MM BORE SMALLE	1.000 EA
33EP3100A02	PU ENDPLATE, MACH	1.000 EA
XY1032A02	10-32 HEX NUT DIRECTIONAL SERRATION	2.000 EA
33FN3000SP	EXTERNAL FAN, PLASTIC	1.000 EA
12XN0832A16	8-32 X 1.00" SLT HEX HD ZINC PLATED	1.000 EA
HW1003A08	WASHER, #8 EX TH LK, ZN (F/S)	1.000 EA
XY0832A02	8-32 HEX NUT	1.000 EA
33FH4001A01	FAN COVER, STAMPED	1.000 EA
11XT1032A06	10-32 X 3/8 HX WSHR HD SLTD TYPE 23	3.000 EA
34CB4517	CB LID 4 MTG HOLES .22 DIA STAMPED, FOR	1.000 EA
34GS1031A01	GASKET, FLAT CONDUIT BOX LID (LEXIDE)	1.000 EA
51XW0832A07	8-32 X .44, TAPTITE II, HEX WSHR SLTD SE	4.000 EA
MG1000G27	MED CHARCOAL METALLIC GREY	0.013 GA
85XU0407S04	4X1/4 U DRIVE PIN STAINLESS	2.000 EA
HA3100A11	THRUBOLT 10-32 X 6.750	2.000 EA
LB1119N	WARNING LABEL	1.000 EA

Parts List (continued)		
Part Number	Description	Quantity
NP1256L	ALUM UL CSA CC	1.000 EA
34PA1002	PKG GRP, PRINT PK1001A01	1.000 EA



CUSTOMER IS RESPONSIBLE FOR DETERMINING THAT MOTOR PERFORMANCE IS SUITABLE IN THE APPLICATION.

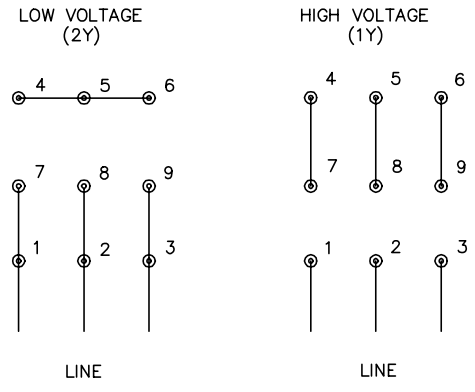
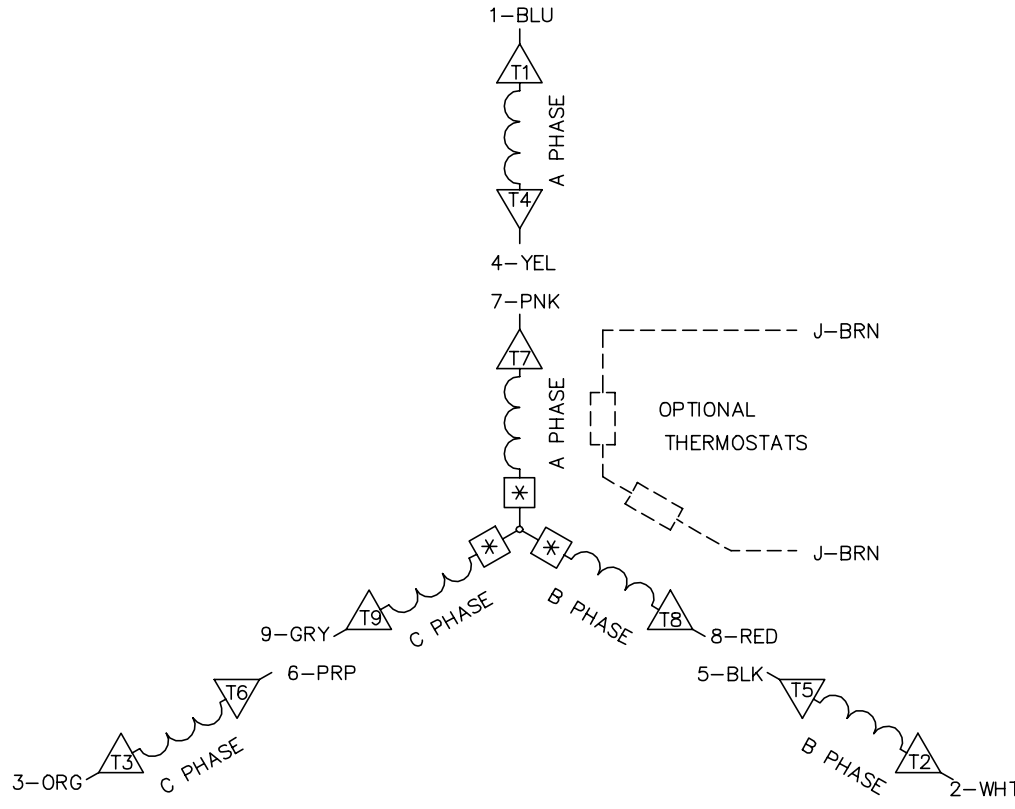
REV. DESC: UPDATED KOBX & LID			
REV. LTR: L	VERSION: 01	TDR: 000000426983	
0Z80A7CC	FILE: \AAA\00001\052	REVISED: 09:30:20 04/09/2007	
	MTL: -	BY: ENROSTO	

BALDOR ELECTRIC Co.

STD HORZ MODEL 33M NEMA 42 TEFC

33LY0870

CD0005A05



- NOTES:
1. INTERCHANGE ANY TWO LINE LEADS TO REVERSE ROTATION.
 2. OPTIONAL THERMOSTATS ARE PROVIDED WHEN SPECIFIED.
 3. ACTUAL NUMBER OF INTERNAL PARALLEL CIRCUITS MAY BE A MULTIPLE OF THOSE SHOWN ABOVE.
 4. LEAD COLORS ARE OPTIONAL. LEADS MUST ALWAYS BE NUMBERED AS SHOWN.
 5. =MAGNET WIRE COIL END WITH I.D. NUMBER.
 6. =MAGNET WIRE COIL END WITH I.D. SYMBOL.
 7. SEE CW PRINT FOR NEST TO NEST CROSSOVER CONNECTIONS.

REV. DESC: ADD NEST NOTE			
REV. LTR: C	VERSION: 03	TDR: 000000445597	
CD0005A05	FILE: \CKA\00024\847	REVISED: 12:51:06 11/15/2007	
	MTL: -	BY: CKMICRO	

BALDOR • DODGE • RELIANCE

3PH, DV, 9 LEADS, CK

CD0005A05