

BALDOR® • **RELIANCE**

Product Information Packet

L3506

.75HP,3450RPM,1PH,60HZ,56,3424L,TEFC,F1

Part Detail							
Revision:	Y	Status:	PRD/A	Change #:		Proprietary:	No
Type:	AC	Prod. Type:	3424L	Elec. Spec:	34WG3405	CD Diagram:	CD0001
Enclosure:	TEFC	Mfg Plant:		Mech. Spec:	34K042	Layout:	34LYK042
Frame:	56	Mounting:	F1	Poles:	02	Created Date:	
Base:	RG	Rotation:	R	Insulation:	B	Eff. Date:	07-21-2015
Leads:	6#18					Replaced By:	
Literature:		Elec. Diagram:					

Nameplate NP1256L							
CAT.NO.	L3506						
SPEC.	34K42-3405						
HP	.75						
VOLTS	115/230						
AMP	9.6/4.8						
RPM	3450						
FRAME	56	HZ	60	PH	1		
SER.F.	1.25	CODE	K	DES	N	CLASS	B
NEMA-NOM-EFF	66	PF	74				
RATING	40C AMB-CONT						
CC		USABLE AT 208V	6.1				
DE	6203	ODE	6203				
ENCL	TEFC	SN					
	SFA 11.6/5.8						

Parts List		
Part Number	Description	Quantity
SA008168	SA 34K42-3405	1.000 EA
RA004615	RA 34K42-3405	1.000 EA
EC1400A03SP	ELEC CAP, 400-480 MFD, 125V, 1.81D X 3.	1.000 EA
NS2512A01	INSULATOR, CONDUIT BOX X	1.000 EA
34CB3002A	CB CAST W/.88 DIA HOLE	1.000 EA
34GS1029A01	GASKET, CONDUIT BOX	1.000 EA
51XB1016A07	10-16 X 7/16 HXWSSLD SERTYB	2.000 EA
11XW1032G06	10-32 X .38, TAPTITE II, HEX WSHR SLTD U	1.000 EA
34EP3102A01SP	FR ENDPLATE, MACH	1.000 EA
51XW0832A07	8-32 X .44, TAPTITE II, HEX WSHR SLTD SE	2.000 EA
NS2501A01	INSULATOR, CAPACITOR	1.000 EA
51XB1016A05	10-16X5/16HX WA SL SR TYB (F/S)	2.000 EA
HW5100A03SP	WAVY WASHER (W1543-017)	1.000 EA
34EP3102A02SP	FR/PU ENDPLATE, MACH	1.000 EA
XY1032A02	10-32 HEX NUT DIRECTIONAL SERRATION	4.000 EA
34FN3002A01SP	EXTERNAL FAN, PLASTIC, .637/.639 HUB W/	1.000 EA
34FH4002A01SP	IEC FH NO GREASER	1.000 EA
51XW1032A06	10-32 X .38, TAPTITE II, HEX WSHR SLTD S	3.000 EA
34CB4517	CB LID 4 MTG HOLES .22 DIA STAMPED, FOR	1.000 EA
34GS1031A01	GASKET, FLAT CONDUIT BOX LID (LEXIDE)	1.000 EA
51XW0832A07	8-32 X .44, TAPTITE II, HEX WSHR SLTD SE	4.000 EA
HW2501D13SP	KEY, 3/16 SQ X 1.375	1.000 EA
HA7000A04	KEY RETAINER 0.625 DIA SHAFTS	1.000 EA
MG1000G27	MED CHARCOAL METALLIC GREY	0.014 GA

Parts List (continued)		
Part Number	Description	Quantity
10XF0440S02	04-40 X 1/8 TYPE F HEX HD STAINLESS STIC	2.000 EA
33CB4800A02	CAPACITOR COVER, STAMPED	1.000 EA
35GS3001A02	GASKET, CA.COVER, 5.38 LONG .06 CS301	1.000 EA
SP5051B16	MDL 34 TORQ STAT SW,TYPE L , STD F1 & F2	1.000 EA
HA3100A44	THRUBOLT 10-32 X 8.000	4.000 EA
LC0001A01	CONN LABEL / WARNING LABEL (LC0001 / LB1	1.000 EA
NP1256L	ALUM UL CSA CC	1.000 EA
34PA1005	PKG GRP, PRINT PK1008A06	1.000 EA

Accessories		
Part Number	Description	Multiplier
34-171	C FACE KIT	A8

AC Induction Motor Performance Data
Record # 6684 - Typical performance - not guaranteed values

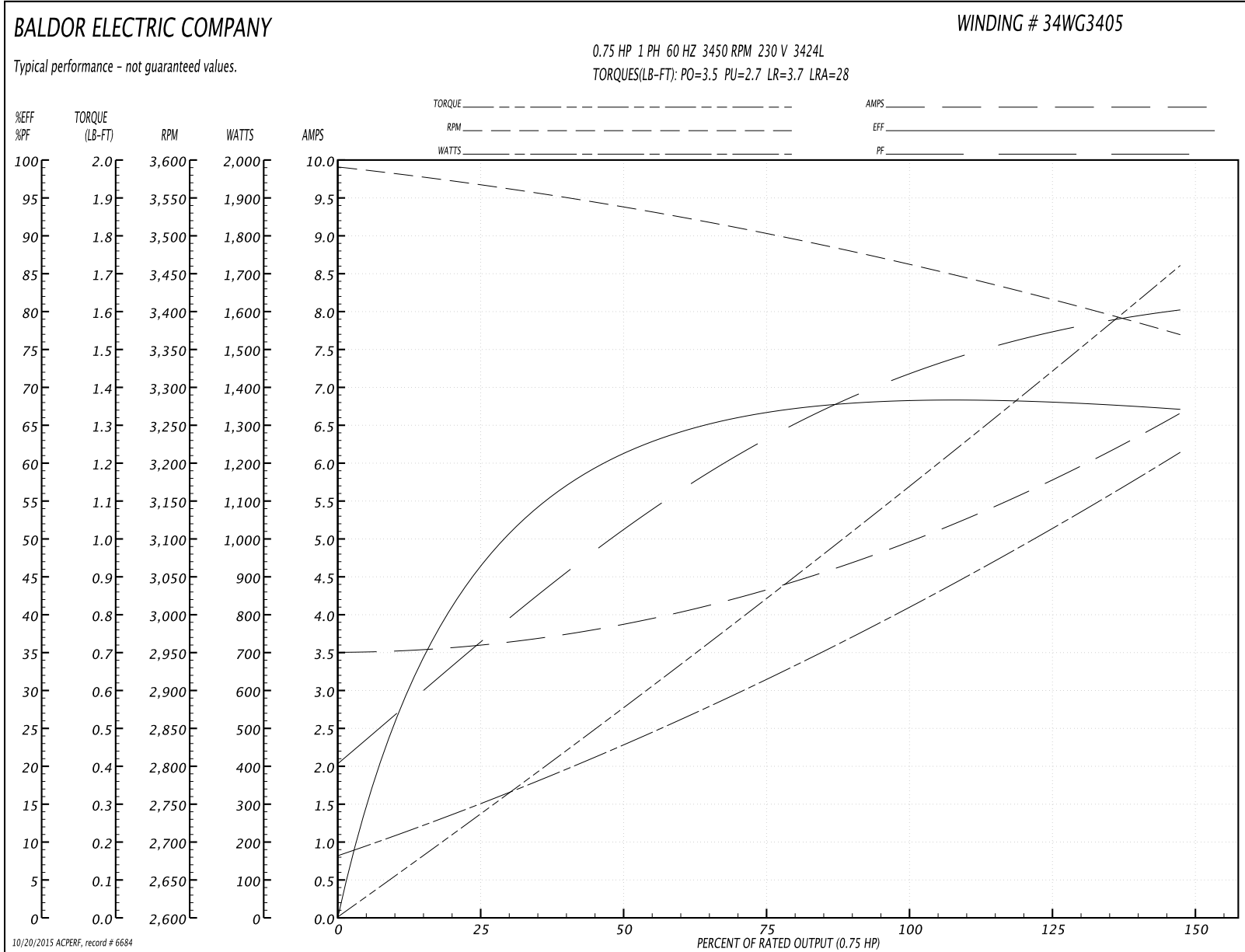
Winding: 34WG3405-R001	Type: 3424L	Enclosure: TEFC
-------------------------------	--------------------	------------------------

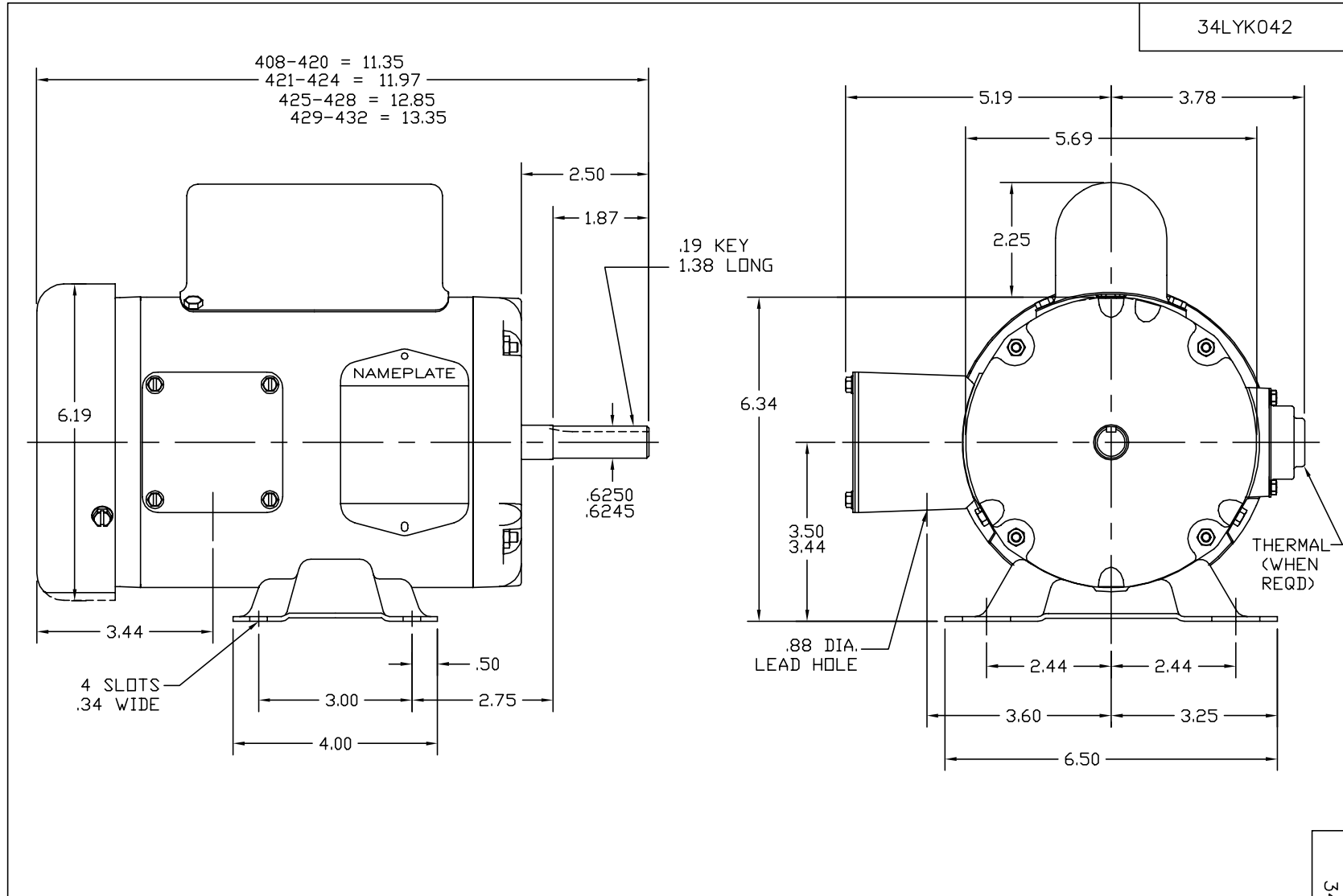
Nameplate Data				230 V, 60 Hz: High Voltage Connection	
Rated Output (HP)	.75			Full Load Torque	1.15 LB-FT
Volts	115/230			Start Configuration	direct on line
Full Load Amps	9.6/4.8			Breakdown Torque	3.5 LB-FT
R.P.M.	3450			Pull-up Torque	2.7 LB-FT
Hz	60	Phase	1	Locked-rotor Torque	3.7 LB-FT
NEMA Design Code	N	KVA Code	K	Starting Current	28 A
Service Factor (S.F.)	1.25			No-load Current	3.5 A
NEMA Nom. Eff.	66	Power Factor	74	Line-line Res. @ 25°C	2.5 Ω A Ph 2.5 Ω B Ph
Rating - Duty	40C AMB-CONT			Temp. Rise @ Rated Load	78°C
S.F. Amps	11.6/5.8			Temp. Rise @ S.F. Load	92°C

Load Characteristics 230 V, 60 Hz, 0.75 HP

% of Rated Load	25	50	75	100	125	150	S.F.
Power Factor	36	51	62	70	76	81	0
Efficiency	47.2	61.1	66.5	68.7	68.7	66.7	0
Speed	3561	3534	3500	3464	3421	3365	0
Line amperes	3.6	3.9	4.4	5	5.7	6.7	5.7

Performance Graph at 230V, 60Hz, 0.75HP Typical performance - Not guaranteed values



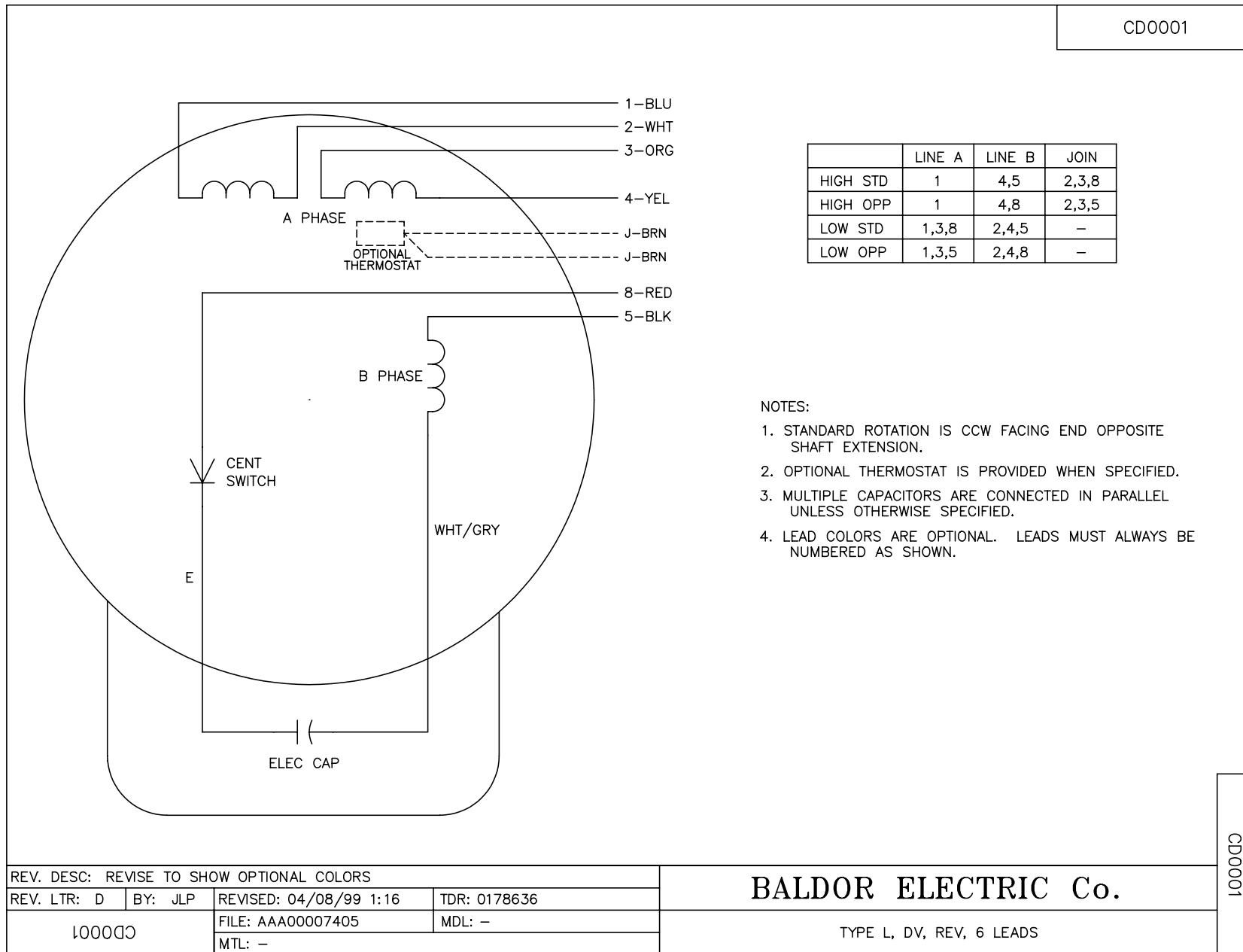


CUSTOMER IS RESPONSIBLE FOR DETERMINING THAT MOTOR PERFORMANCE IS SUITABLE IN THE APPLICATION.

REV. DESC: UPDATE GRAPHIC TO MATCH WITH BOM			BALDOR ELECTRIC Co.
REV. LTR: C	VERSION: 01	TDR: 000000410146	
34LYK042	FILE: \AAA\00025\615	REVISED: 14:09:45 10/04/2006	STD HORZ 34L NEMA 56 TEFC W/35 CAPAC BOX
	MTL: -	BY: ENRSTO	

34LYK042

CD0001



CD0001

REV. DESC: REVISE TO SHOW OPTIONAL COLORS			
REV. LTR: D	BY: JLP	REVISED: 04/08/99 1:16	TDR: 0178636
100000		FILE: AAA00007405	MDL: -
		MTL: -	

BALDOR ELECTRIC Co.

TYPE L, DV, REV, 6 LEADS