

BALDOR® • ***RELIANCE***

Product Information Packet

L3505

.5HP, 1140RPM, 1PH, 60HZ, 56H, 3528L, TEFC, F1

Part Detail							
Revision:	G	Status:	PRD/A	Change #:		Proprietary:	No
Type:	AC	Prod. Type:	3528L	Elec. Spec:	35WGN457	CD Diagram:	CD0001
Enclosure:	TEFC	Mfg Plant:		Mech. Spec:	35J383	Layout:	35LYJ383
Frame:	56H	Mounting:	F1	Poles:	06	Created Date:	03-29-2012
Base:	RG	Rotation:	R	Insulation:	F	Eff. Date:	07-22-2015
Leads:	6#18					Replaced By:	
Literature:		Elec. Diagram:					

Nameplate NP1256L							
CAT.NO.	L3505						
SPEC.	35J383N457G1						
HP	.5						
VOLTS	115/230						
AMP	7.8/3.9						
RPM	1140						
FRAME	56H	HZ	60	PH	1		
SER.F.	1.25	CODE	L	DES	N	CLASS	F
NEMA-NOM-EFF	62.5	PF	65				
RATING	40C AMB-CONT						
CC		USABLE AT 208V	4.5				
DE	6205	ODE	6203				
ENCL	TEFC	SN					
	SFA 9/4.5						

Parts List		
Part Number	Description	Quantity
SA241735	SA 35J383N457G1	1.000 EA
RA228654	RA 35J383N457G1	1.000 EA
EC1460A05SP	ELEC CAP, 460-552 MFD, 125V, 2.06D X 3.	1.000 EA
NS2512A01	INSULATOR, CONDUIT BOX X	1.000 EA
35CB3007	35 CB CASTING W/.88 DIA. LEAD HOLE	1.000 EA
36GS1000SP	GASKET-CONDUIT BOX, .06 THICK #SV-330 LE	1.000 EA
51XB1016A07	10-16 X 7/16 HXWSSLD SERTYB	2.000 EA
11XW1032G06	10-32 X .38, TAPTITE II, HEX WSHR SLTD U	1.000 EA
51XW0832A07	8-32 X .44, TAPTITE II, HEX WSHR SLTD SE	2.000 EA
35EP3100M02	FREP TEFC 203 BRG W/O GR SR (RAISED FH MT	1.000 EA
NS2501A01	INSULATOR, CAPACITOR	1.000 EA
35CB4802A02SP	CAPACITOR COVER, STAMPED X W/AUTOPHORET	1.000 EA
35GS3001A02	GASKET, CA.COVER, 5.38 LONG .06 CS301	1.000 EA
51XB1016A05	10-16X5/16HX WA SL SR TYB (F/S)	2.000 EA
HW5100A03SP	WAVY WASHER (W1543-017)	1.000 EA
35EP3101A02SP	STD PU ENDPLATE-ENCL-205 BRG LESS GREASE	1.000 EA
XY1032A02	10-32 HEX NUT DIRECTIONAL SERRATION	4.000 EA
51XB1214A16	12-14X1.00 HXWSSLD SERTYB	1.000 EA
35FH4005A32	IEC FH NO GR SR W/3 HOLES - W/AUTOPHERETI	1.000 EA
51XW1032A06	10-32 X .38, TAPTITE II, HEX WSHR SLTD S	3.000 EA
35CB4521GX	CONDUIT BOX LID KIT	1.000 EA
51XW0832A07	8-32 X .44, TAPTITE II, HEX WSHR SLTD SE	4.000 EA
HW2501D13SP	KEY, 3/16 SQ X 1.375	1.000 EA
HA7000A04	KEY RETAINER 0.625 DIA SHAFTS	1.000 EA

Parts List (continued)		
Part Number	Description	Quantity
85XU0407S04	4X1/4 U DRIVE PIN STAINLESS	2.000 EA
WD1000A15	3-520132-2 AMP FLAG (4M/RL NON-CANC/NON-	2.000 EA
MJ1000A75	GREASE, POLYREX EM EXXON (USe 4824-15A)	0.050 LB
35FN3002A05SP	EXFN, PLASTIC, 6.376 OD, .638 ID	1.000 EA
MG1000G27	MED CHARCOAL METALLIC GREY	0.017 GA
HA3100A18	THRUBOLT 10-32 X 9.250	4.000 EA
SP5051A24	MODEL 35 TORQ STATIONARY SWITCH FOR "L"	1.000 EA
LC0001A01	CONN LABEL / WARNING LABEL (LC0001 / LB1	1.000 EA
NP1256L	ALUM UL CSA CC	1.000 EA
35PA1066	PKG GRP, PRINT PK1008A06	1.000 EA
MN416A01	TAG-INSTAL-MAINT no wire (1200/bx) 11/14	1.000 EA

Accessories		
Part Number	Description	Multiplier
35-8762	C FACE KIT	A8
35EP1506A01SP	D-FLANGE KIT	A8

AC Induction Motor Performance Data

Record # 38799 - Typical performance - not guaranteed values

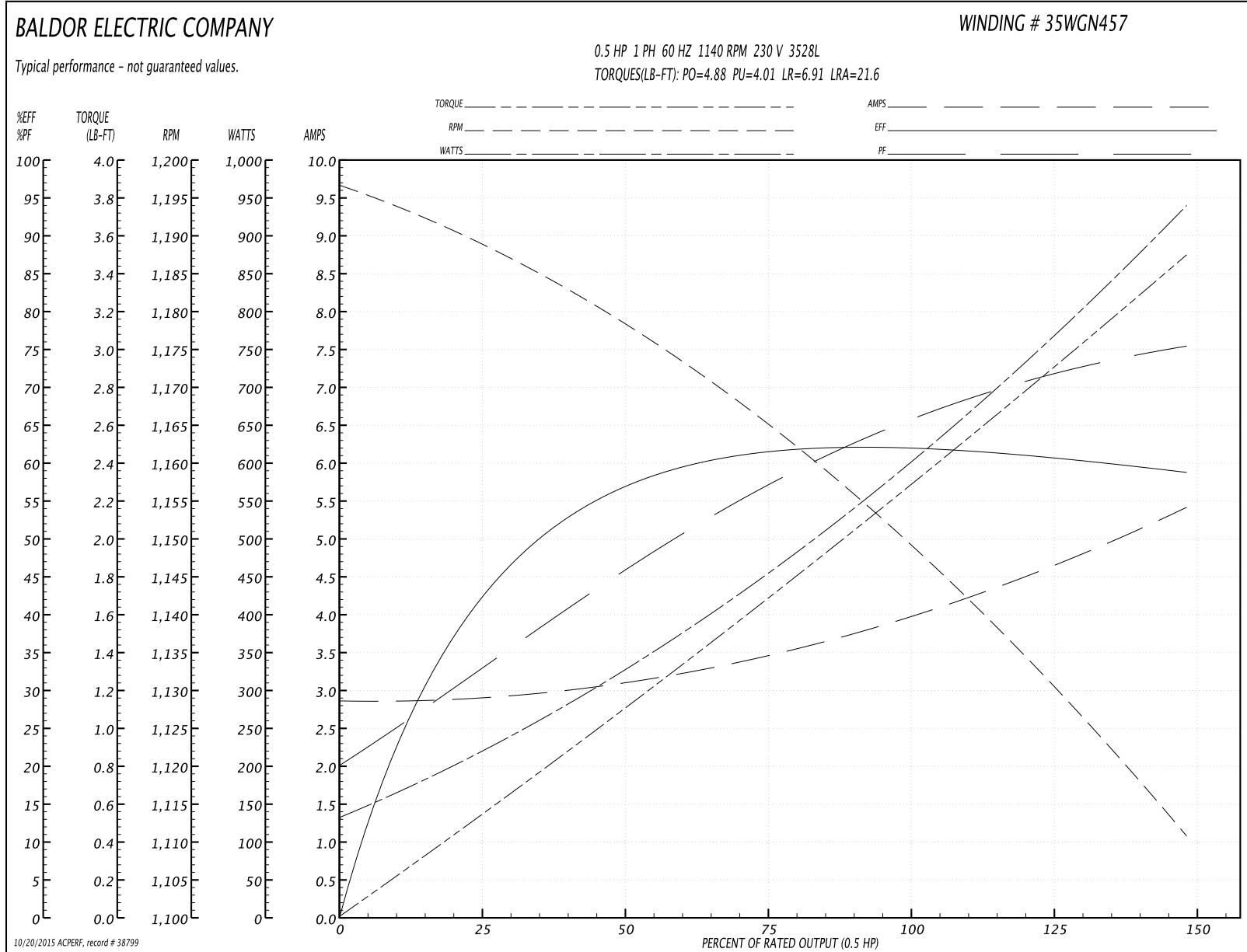
Winding: 35WGN457-R001	Type: 3528L	Enclosure: TEFC
-------------------------------	--------------------	------------------------

Nameplate Data				230 V, 60 Hz: High Voltage Connection	
Rated Output (HP)	.5			Full Load Torque	2.24 LB-FT
Volts	115/230			Start Configuration	direct on line
Full Load Amps	7.8/3.9			Breakdown Torque	4.88 LB-FT
R.P.M.	1140			Pull-up Torque	4.01 LB-FT
Hz	60	Phase	1	Locked-rotor Torque	6.91 LB-FT
NEMA Design Code	N	KVA Code	L	Starting Current	21.6 A
Service Factor (S.F.)	1.25			No-load Current	2.84 A
NEMA Nom. Eff.	62.5	Power Factor	65	Line-line Res. @ 25°C	4.9379 Ω A Ph 2.7993 Ω B Ph
Rating - Duty	40C AMB-CONT			Temp. Rise @ Rated Load	65°C
S.F. Amps	9/4.5			Temp. Rise @ S.F. Load	91°C

Load Characteristics 230 V, 60 Hz, 0.5 HP

% of Rated Load	25	50	75	100	125	150	S.F.
Power Factor	33	46	57	65	72	76	72
Efficiency	39.6	54.5	61.1	62.7	61.8	58.1	61.8
Speed	1187.5	1177.3	1165.8	1152.4	1135	1108.2	1135
Line amperes	2.9	3.12	3.44	3.91	4.54	5.46	4.54

Performance Graph at 230V, 60Hz, 0.5HP Typical performance - Not guaranteed values



AC Induction Motor Performance Data

Record # 44451 - Typical performance - not guaranteed values

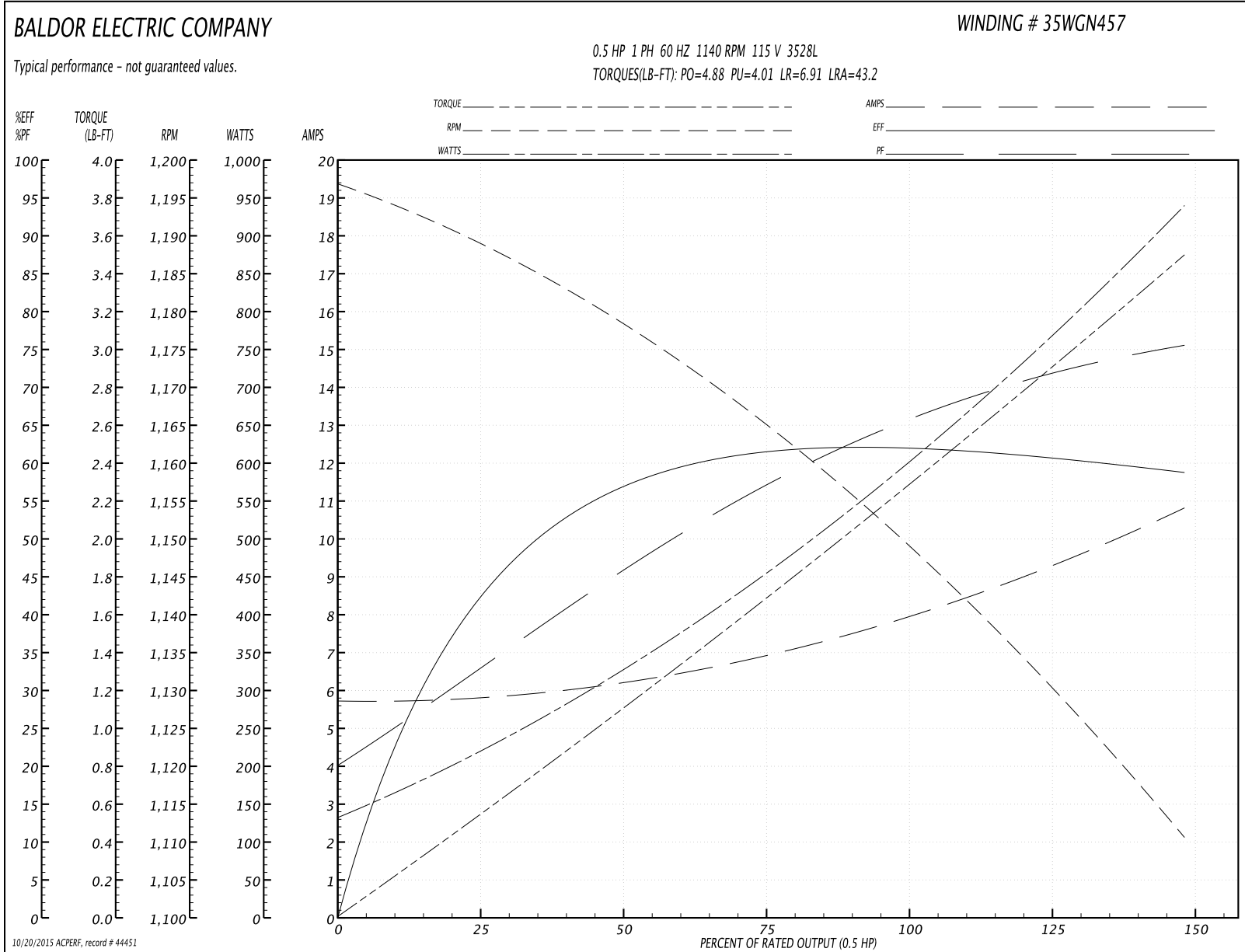
Winding: 35WGN457-R001	Type: 3528L	Enclosure: TEFC
-------------------------------	--------------------	------------------------

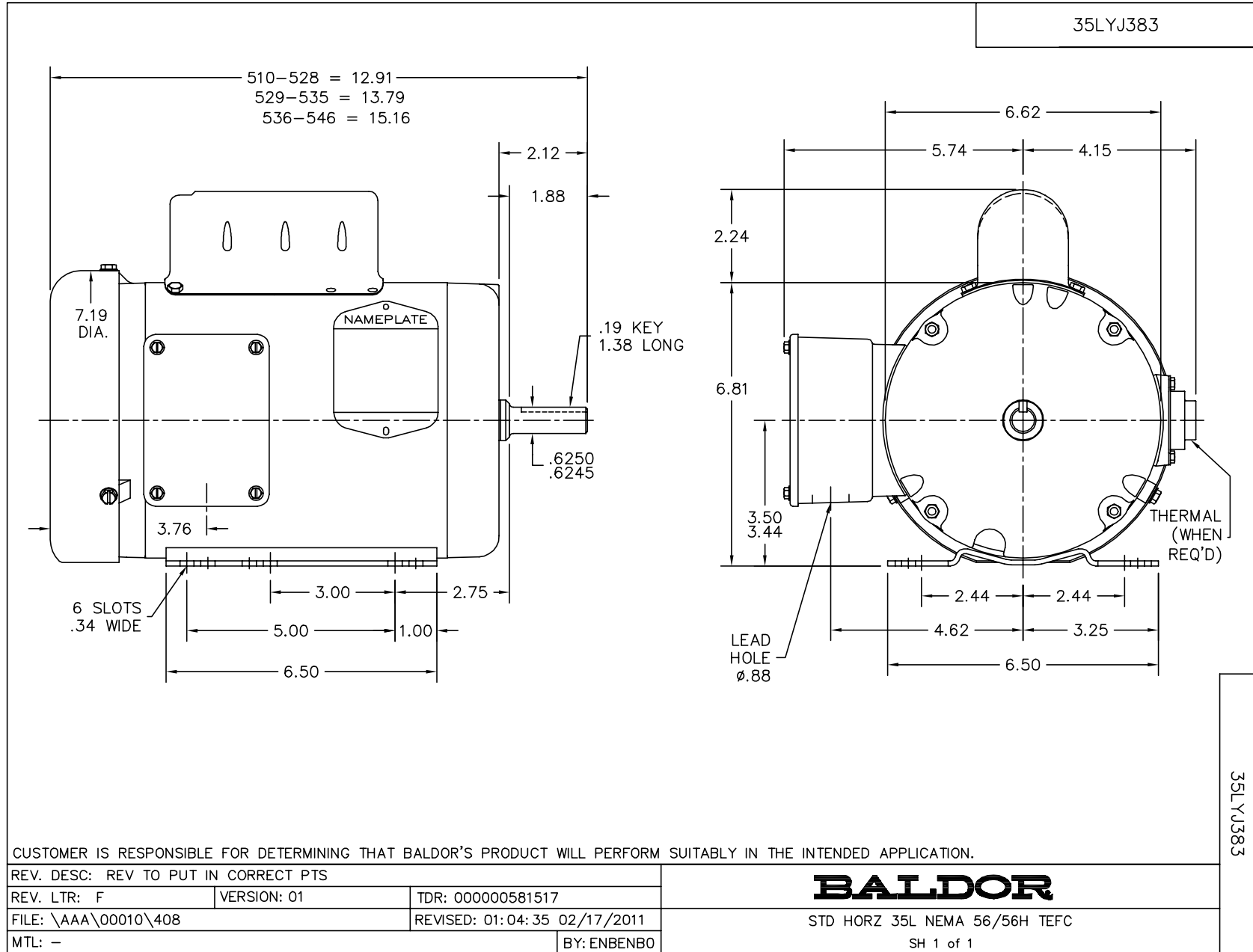
Nameplate Data				115 V, 60 Hz: Low Voltage Connection	
Rated Output (HP)	.5			Full Load Torque	2.24 LB-FT
Volts	115/230			Start Configuration	direct on line
Full Load Amps	7.8/3.9			Breakdown Torque	4.88 LB-FT
R.P.M.	1140			Pull-up Torque	4.01 LB-FT
Hz	60	Phase	1	Locked-rotor Torque	6.91 LB-FT
NEMA Design Code	N	KVA Code	L	Starting Current	43.2 A
Service Factor (S.F.)	1.25			No-load Current	5.68 A
NEMA Nom. Eff.	62.5	Power Factor	65	Line-line Res. @ 25°C	1.23 Ω A Ph 2.86 Ω B Ph
Rating - Duty	40C AMB-CONT			Temp. Rise @ Rated Load	65°C
S.F. Amps	9/4.5			Temp. Rise @ S.F. Load	79°C
				Rotor inertia	0.166 LB-FT ²

Load Characteristics 115 V, 60 Hz, 0.5 HP

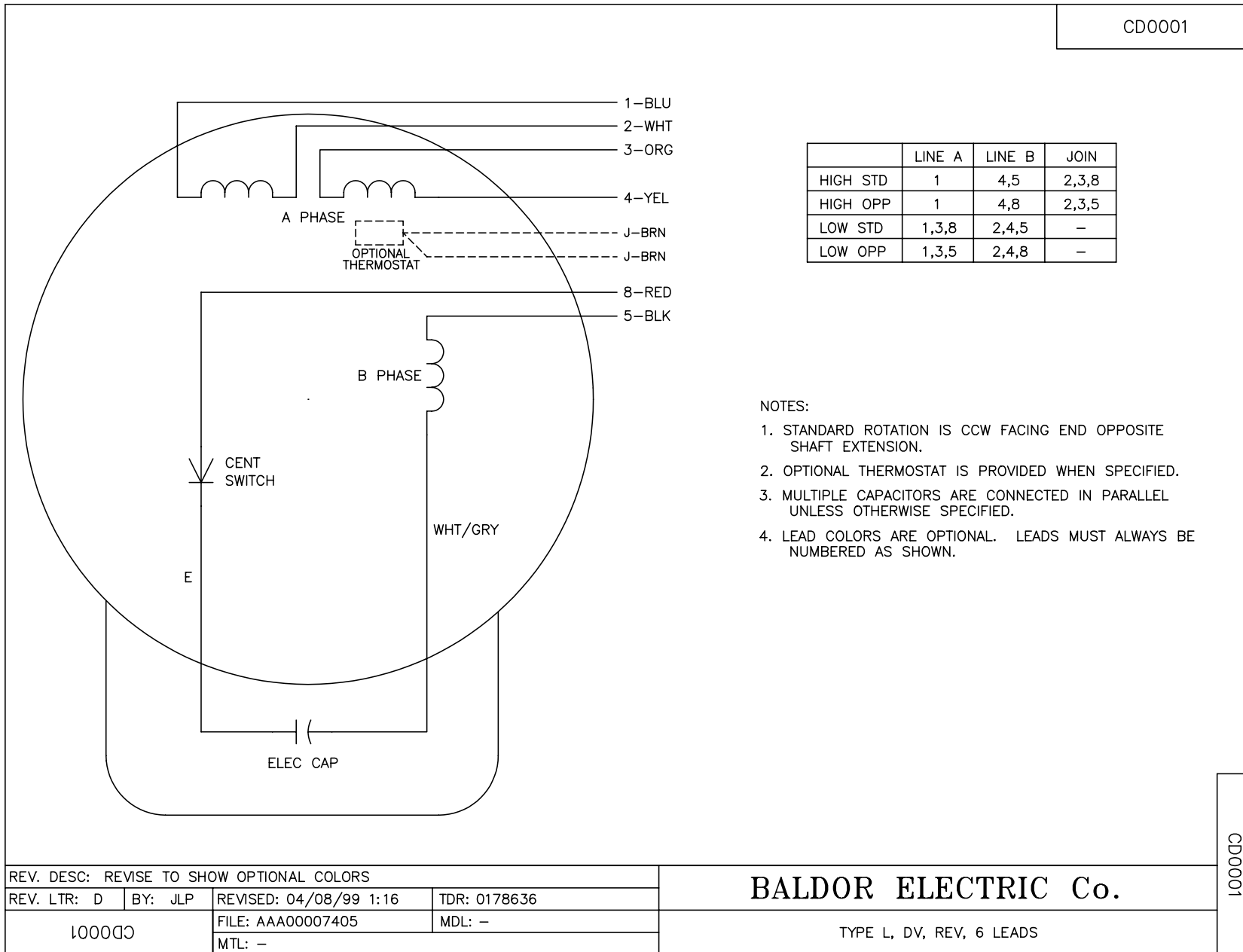
% of Rated Load	25	50	75	100	125	150	S.F.
Power Factor	32	46	56	65	71	76	80
Efficiency	39.7	54.6	60.9	62.8	61.9	58.2	82.4
Speed	1188	1177	1166	1152	1135	1108	1442
Line amperes	5.8	6.24	6.88	7.82	9.08	10.9	2.95

Performance Graph at 115V, 60Hz, 0.5HP Typical performance - Not guaranteed values





CD0001



REV. DESC: REVISE TO SHOW OPTIONAL COLORS			
REV. LTR: D	BY: JLP	REVISED: 04/08/99 1:16	TDR: 0178636
100000		FILE: AAA00007405	MDL: -
		MTL: -	

BALDOR ELECTRIC Co.

TYPE L, DV, REV, 6 LEADS

CD0001