

BALDOR® • *RELIANCE*

Product Information Packet

L3504

.5HP, 1725RPM, 1PH, 60HZ, 56, 3421L, TEFC, F1

| Part Detail | | | | | | | |
|-------------|------|----------------|-------|-------------|----------|---------------|------------|
| Revision: | AD | Status: | PRD/A | Change #: | | Proprietary: | No |
| Type: | AC | Prod. Type: | 3421L | Elec. Spec: | 34WG5422 | CD Diagram: | CD0001 |
| Enclosure: | TEFC | Mfg Plant: | | Mech. Spec: | 34C061 | Layout: | 34LYC061 |
| Frame: | 56 | Mounting: | F1 | Poles: | 04 | Created Date: | |
| Base: | RG | Rotation: | R | Insulation: | B | Eff. Date: | 08-28-2015 |
| Leads: | 6#18 | | | | | Replaced By: | |
| Literature: | | Elec. Diagram: | | | | | |

| | | | | | | | |
|--------------------------|--------------|----------------|------|-----|---|-------|---|
| Nameplate NP1256L | | | | | | | |
| CAT.NO. | L3504 | | | | | | |
| SPEC. | 34C61-5422 | | | | | | |
| HP | .5 | | | | | | |
| VOLTS | 115/230 | | | | | | |
| AMP | 7.4/3.7 | | | | | | |
| RPM | 1725 | | | | | | |
| FRAME | 56 | HZ | 60 | PH | 1 | | |
| SER.F. | 1.25 | CODE | J | DES | N | CLASS | B |
| NEMA-NOM-EFF | 68 | PF | 66 | | | | |
| RATING | 40C AMB-CONT | | | | | | |
| CC | | USABLE AT 208V | 4.3 | | | | |
| DE | 6203 | ODE | 6203 | | | | |
| ENCL | TEFC | SN | | | | | |
| | SFA 8.2/4.1 | | | | | | |

| Parts List | | |
|---------------|--|----------|
| Part Number | Description | Quantity |
| SA008593 | SA 34C61-5422 | 1.000 EA |
| RA005040 | RA 34C61-5422 | 1.000 EA |
| EC1270A02SP | ELEC CAP, 270-324 MFD, 125V, 1.48D X 3. | 1.000 EA |
| 34CB3002A | CB CAST W/.88 DIA HOLE | 1.000 EA |
| 34GS1029A01 | GASKET, CONDUIT BOX | 1.000 EA |
| 51XB1016A07 | 10-16 X 7/16 HXWSSLD SERTYB | 2.000 EA |
| 11XW1032G06 | 10-32 X .38, TAPTITE II, HEX WSHR SLTD U | 1.000 EA |
| 51XW0832A07 | 8-32 X .44, TAPTITE II, HEX WSHR SLTD SE | 2.000 EA |
| 34EP3102A01SP | FR ENDPLATE, MACH | 1.000 EA |
| WD1000A03 | 41531 AMP FLG.TERM,4M/REEL(2.5MIL) | 1.000 EA |
| 34CB4800SP | CAPACITOR COVER, STAMPED | 1.000 EA |
| 34GS3000SP | GASKET, CAPACITOR BOX | 1.000 EA |
| 51XB1016A05 | 10-16X5/16HX WA SL SR TYB (F/S) | 2.000 EA |
| HW5100A03SP | WAVY WASHER (W1543-017) | 1.000 EA |
| 34EP3102A02SP | FR/PU ENDPLATE, MACH | 1.000 EA |
| XY1032A02 | 10-32 HEX NUT DIRECTIONAL SERRATION | 4.000 EA |
| 34FN3002A01SP | EXTERNAL FAN, PLASTIC, .637/.639 HUB W/ | 1.000 EA |
| 34FH4002A01SP | IEC FH NO GREASER | 1.000 EA |
| 51XW1032A06 | 10-32 X .38, TAPTITE II, HEX WSHR SLTD S | 3.000 EA |
| 34CB4517 | CB LID 4 MTG HOLES .22 DIA STAMPED, FOR | 1.000 EA |
| 34GS1031A01 | GASKET, FLAT CONDUIT BOX LID (LEXIDE) | 1.000 EA |
| 51XW0832A07 | 8-32 X .44, TAPTITE II, HEX WSHR SLTD SE | 4.000 EA |
| HW2501D13SP | KEY, 3/16 SQ X 1.375 | 1.000 EA |
| HA7000A04 | KEY RETAINER 0.625 DIA SHAFTS | 1.000 EA |

| Parts List (continued) | | |
|-------------------------------|--|-----------------|
| Part Number | Description | Quantity |
| MG1000G27 | MED CHARCOAL METALLIC GREY | 0.014 GA |
| 10XF0440S02 | 04-40 X 1/8 TYPE F HEX HD STAINLESS STIC | 2.000 EA |
| SP5051B16 | MDL 34 TORQ STAT SW,TYPE L , STD F1 & F2 | 1.000 EA |
| HA3100A44 | THRUBOLT 10-32 X 8.000 | 4.000 EA |
| LC0001 | CONN LABEL TYPE L, 6 LEAD, DUAL VOLTS, R | 1.000 EA |
| LB1119N | WARNING LABEL | 1.000 EA |
| NP1256L | ALUM UL CSA CC | 1.000 EA |
| 35PA1000 | PKG GRP, PRINT PK1008A06 | 1.000 EA |
| MN416A01 | TAG-INSTAL-MAINT no wire (1200/bx) 11/14 | 1.000 EA |

| Accessories | | |
|--------------------|--------------------|-------------------|
| Part Number | Description | Multiplier |
| 34-171 | C FACE KIT | A8 |

AC Induction Motor Performance Data
Record # 6767 - Typical performance - not guaranteed values

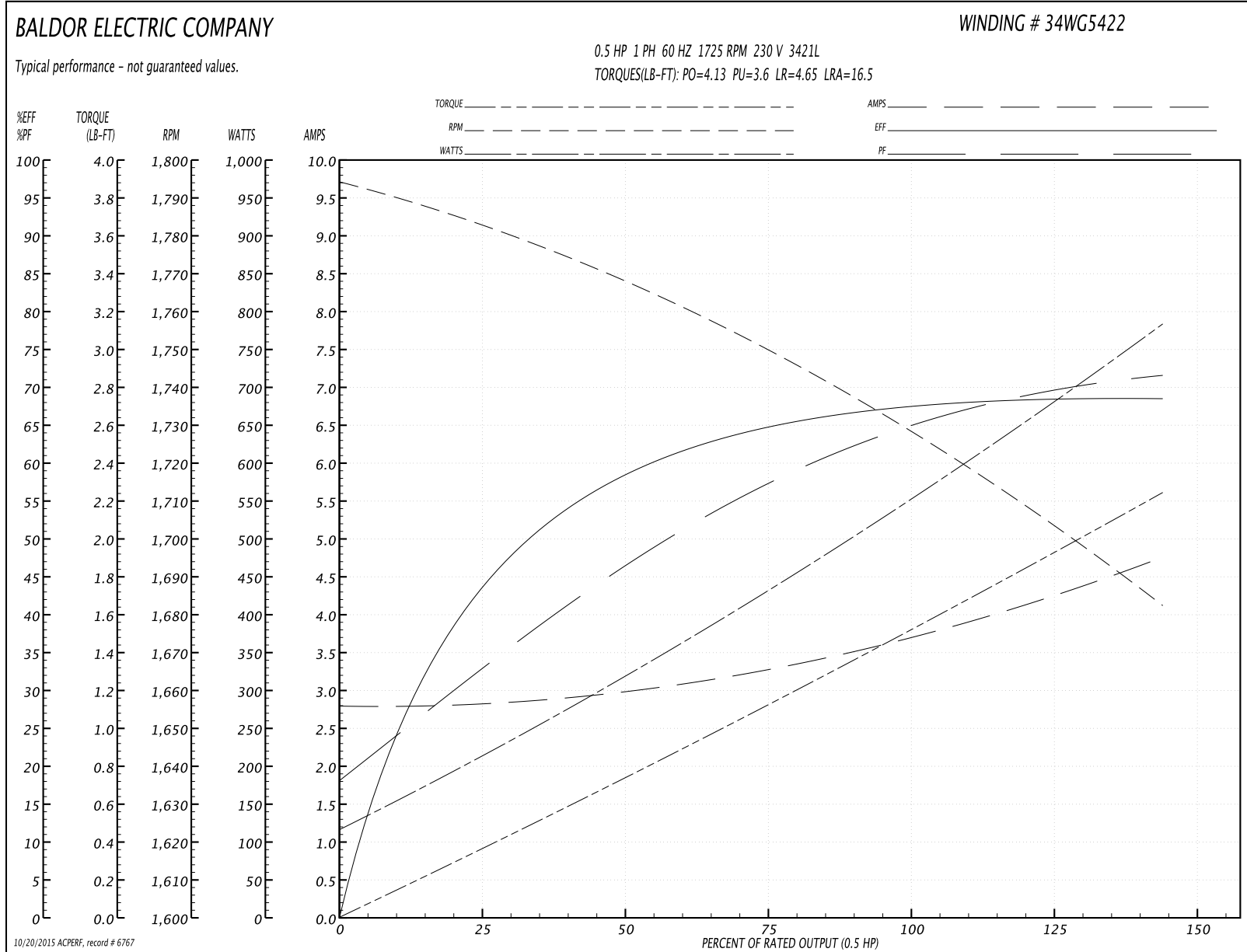
| | | |
|-------------------------------|--------------------|------------------------|
| Winding: 34WG5422-R001 | Type: 3421L | Enclosure: TEFC |
|-------------------------------|--------------------|------------------------|

| Nameplate Data | | | | 230 V, 60 Hz: High Voltage Connection | |
|-----------------------|--------------|--------------|----|--|----------------------------|
| Rated Output (HP) | .5 | | | Full Load Torque | 1.5 LB-FT |
| Volts | 115/230 | | | Start Configuration | direct on line |
| Full Load Amps | 7.4/3.7 | | | Breakdown Torque | 4.13 LB-FT |
| R.P.M. | 1725 | | | Pull-up Torque | 3.6 LB-FT |
| Hz | 60 | Phase | 1 | Locked-rotor Torque | 4.65 LB-FT |
| NEMA Design Code | N | KVA Code | J | Starting Current | 16.5 A |
| Service Factor (S.F.) | 1.25 | | | No-load Current | 2.8 A |
| NEMA Nom. Eff. | 68 | Power Factor | 66 | Line-line Res. @ 25°C | 4.44 Ω A Ph 3.19 Ω B Ph |
| Rating - Duty | 40C AMB-CONT | | | Temp. Rise @ Rated Load | 63°C |
| S.F. Amps | 8.2/4.1 | | | Temp. Rise @ S.F. Load | 77°C |

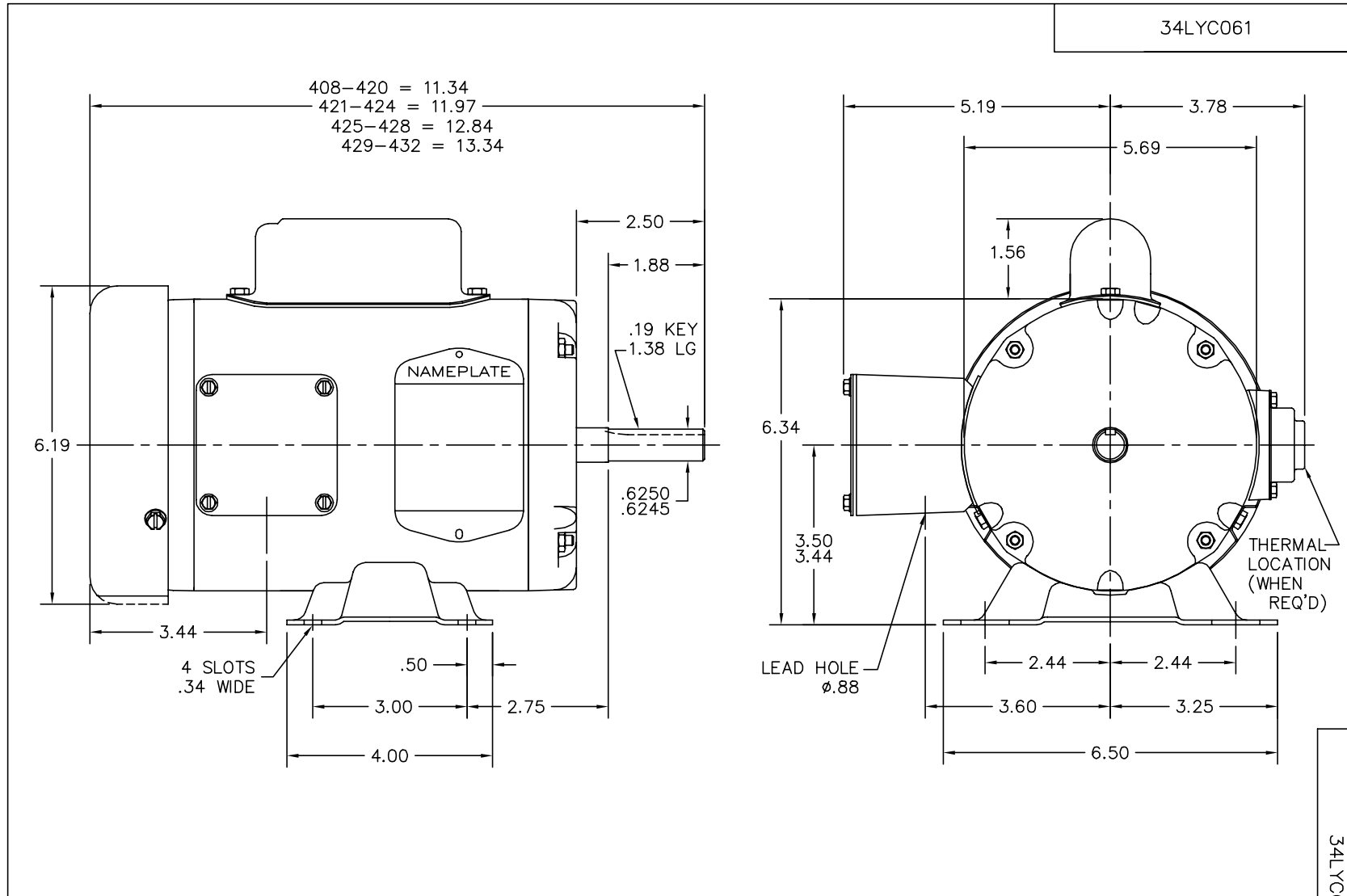
Load Characteristics 230 V, 60 Hz, 0.5 HP

| % of Rated Load | 25 | 50 | 75 | 100 | 125 | 150 | S.F. |
|-----------------|------|------|------|------|------|------|------|
| Power Factor | 32 | 46 | 59 | 66 | 72 | 80 | 72 |
| Efficiency | 42 | 58 | 65 | 68 | 69 | 68 | 69 |
| Speed | 1783 | 1765 | 1750 | 1730 | 1710 | 1680 | 1710 |
| Line amperes | 2.8 | 3 | 3.3 | 3.7 | 4.1 | 4.8 | 4.1 |

Performance Graph at 230V, 60Hz, 0.5HP Typical performance - Not guaranteed values



10/20/2015 ACPERF: record # 6767



CUSTOMER IS RESPONSIBLE FOR DETERMINING THAT BALDOR'S PRODUCT WILL PERFORM SUITABLY IN THE INTENDED APPLICATION.

| | | |
|---|--------------------------------|-------------------|
| REV. DESC: FIX DIM TO MATCH CAM AND MRKTING FILES | | |
| REV. LTR: G | VERSION: 02 | TDR: 000000767588 |
| FILE: \AAA\00000\485 | REVISED: 01: 37: 21 10/02/2012 | |
| MTL: AAA00000485 | BY: ENALEMO | |

BALDOR

STD HORZ MODEL 34L NEMA 56 TEFC

SH 1 of 1

CD0001



| | | | |
|---|---------|------------------------|--------------|
| REV. DESC: REVISE TO SHOW OPTIONAL COLORS | | | |
| REV. LTR: D | BY: JLP | REVISED: 04/08/99 1:16 | TDR: 0178636 |
| 100000 | | FILE: AAA00007405 | MDL: - |
| | | MTL: - | |

BALDOR ELECTRIC Co.

TYPE L, DV, REV, 6 LEADS

CD0001