

# **BALDOR**® • ***RELIANCE***

## **Product Information Packet**

### **L3356**

**.25HP,3450RPM,1PH,60HZ,42,3316L,TEFC,F1**

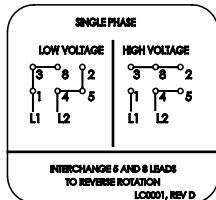
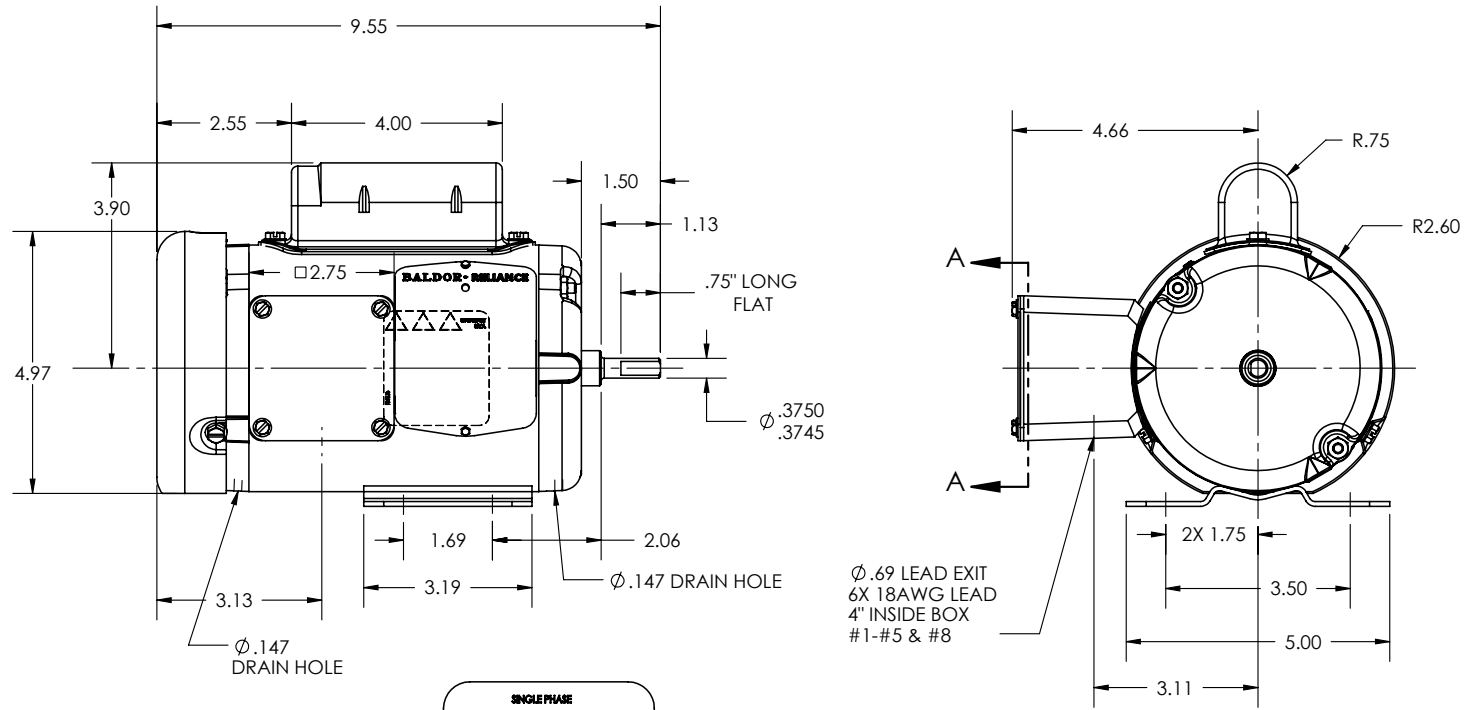
Part Detail							
Revision:	AD	Status:	PRD/A	Change #:		Proprietary:	No
Type:	AC	Prod. Type:	3316L	Elec. Spec:	33WG0389	CD Diagram:	CD0001A10
Enclosure:	TEFC	Mfg Plant:		Mech. Spec:		Layout:	33-850-389
Frame:	42	Mounting:	F1	Poles:	02	Created Date:	06-25-2007
Base:		Rotation:	R	Insulation:	B	Eff. Date:	10-05-2015
Leads:	6#18					Replaced By:	
Literature:		Elec. Diagram:					

Nameplate NP1256L							
CAT.NO.	L3356						
SPEC.	33-850-389						
HP	.25						
VOLTS	115/230						
AMP	4/2						
RPM	3450						
FRAME	42	HZ	60	PH	1		
SER.F.	1.35	CODE	L	DES	-	CLASS	B
NEMA-NOM-EFF	57	PF	64				
RATING	40C AMB-CONT						
CC		USABLE AT 208V	2.4				
DE	6203	ODE					
ENCL	TEFC	SN					
	SFA 4.6/2.3						

Parts List		
Part Number	Description	Quantity
SA007357	SA 33-850-389	1.000 EA
RA003804	RA 33-850-389	1.000 EA
EC1189A02SP	61B2D120189NNBA ELEC CAP, 189-227MFD, 12	1.000 EA
LC0001	CONN LABEL TYPE L, 6 LEAD, DUAL VOLTS, R	1.000 EA
LD2004A01	ASM,1LD 18 BLK E 4.5" INS & NON-INS FLAG	1.000 EA
LD2004A13	ASM,1LD 18 RED 8 11.0" INS FLAG TERM	1.000 EA
HA3100A79	THRUBOLT 10-32 X 6.625	2.000 EA
51XB1016A04	10-16 X 1/4 HX WA SL SR TYB (F/S)	2.000 EA
33EP3100A01SP	EP,33AC ODE GP 6203 TEFC W/DRAIN	1.000 EA
HW5109A05	WASHER, WAVE SPRING FOR 40MM BORE SMALLE	1.000 EA
SP5182	TORQ STA. SWITCH 200 SERIES MODEL 33	1.000 EA
51XW0832A07	8-32 X .44, TAPTITE II, HEX WSHR SLTD SE	2.000 EA
34CB4800SP	CAPACITOR COVER, STAMPED	1.000 EA
34GS3000SP	GASKET, CAPACITOR BOX	1.000 EA
33EP3100A02	PU ENDPLATE, MACH	1.000 EA
34CB3002C	CB CAST W/.69 DIA HOLE	1.000 EA
34GS1029A01	GASKET, CONDUIT BOX	1.000 EA
51XB1016A07	10-16 X 7/16 HXWSSLD SERTYB	2.000 EA
11XW1032G06	10-32 X .38, TAPTITE II, HEX WSHR SLTD U	1.000 EA
34CB4517	CB LID 4 MTG HOLES .22 DIA STAMPED, FOR	1.000 EA
34GS1031A01	GASKET, FLAT CONDUIT BOX LID (LEXIDE)	1.000 EA
XY1032A02	10-32 HEX NUT DIRECTIONAL SERRATION	2.000 EA
33FN3000SP	EXTERNAL FAN, PLASTIC	1.000 EA
12XN0832A16	8-32 X 1.00" SLT HEX HD ZINC PLATED	1.000 EA

<b>Parts List (continued)</b>		
<b>Part Number</b>	<b>Description</b>	<b>Quantity</b>
HW1003A08	WASHER, #8 EX TH LK, ZN (F/S)	1.000 EA
XY0832A02	8-32 HEX NUT	1.000 EA
33FH4001A01	FAN COVER, STAMPED	1.000 EA
51XB1016A06	10-16X3/8 HXWSSLD SERTYB	3.000 EA
MG1000G27	MED CHARCOAL METALLIC GREY	0.013 GA
51XW0832A07	8-32 X .44, TAPTITE II, HEX WSHR SLTD SE	4.000 EA
NP1256L	ALUM UL CSA CC	1.000 EA
LB1119N	WARNING LABEL	1.000 EA
85XU0407S04	4X1/4 U DRIVE PIN STAINLESS	2.000 EA
34PA1002	PKG GRP, PRINT PK1001A01	1.000 EA

33-850-389



SECTION A-A

CUSTOMER IS RESPONSIBLE FOR DETERMINING THAT BALDOR'S PRODUCT WILL PERFORM SUITABLY IN THE INTENDED APPLICATION

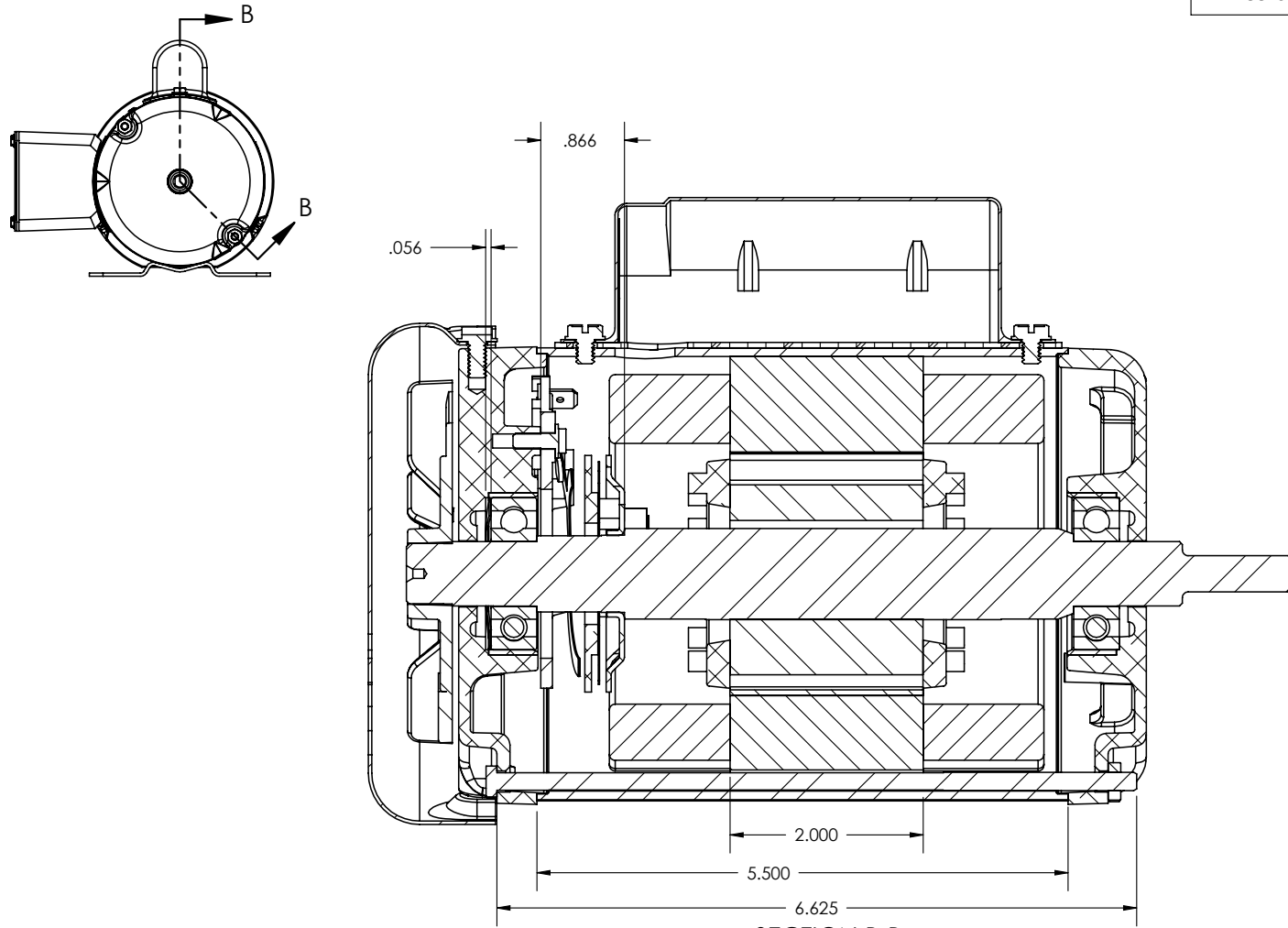
REV. DESC: CHG STATOR BAND AND THRU BOLTS			
REV: B	VERSION: 02	REVISED: 10:43:26 09/19/2011	TDR: 000000712859
68E-058-EE		MODEL NO. 33-850	REF:
		BY: CKAPRB0	

**BALDOR**

LY,33AC 16L 2P TEFC VER 42

33-850-389

33-850-389



SECTION B-B

CUSTOMER IS RESPONSIBLE FOR DETERMINING THAT BALDOR'S PRODUCT WILL PERFORM SUITABLY IN THE INTENDED APPLICATION

REV. DESC: CHG STATOR BAND AND THRU BOLTS

REV: B	VERSION: 02	REVISED: 10:43:26 09/19/2011	TDR: 000000712859
--------	-------------	------------------------------	-------------------

68E-058-EE

MODEL NO. 33-850
BY: CKAPRBO

REF:

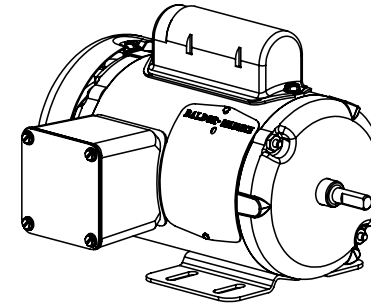
**BALDOR**

LY,33AC 16L 2P TEFC VER 42

33-850-389

BOM Table		
ITEM NO.	PART NUMBER	33-850-389/QTY.
1	33SH7158A01	1
2	SKF - 6203 - 10,DE,NC,10_68	2
3	33RA2016A00A01	1
4	RS9005A01	1
5	33EP3100A02	1
6	33SA9210A32	1
7	33EP3100A01	1
8	HW5100A03	1
9	SP5073	1
10	51XB1016A07	2
11	51XB1016A04	2
12	34GS1029	1
13	11XW1032G06	1
14	34GS1031A01	1
15	34CB4517	1
16	33FN3000	1
17	12XN0832A16	1
18	XY1032A02	2
19	HW1003A08	1
20	XY0832A02	1
21	33FH4001A01	1
22	34GS3000	1
23	34CB4800	1
24	LB1119	1
25	NS2512A01	1
26	NS2500A01	1
27	51XT0832A07	6
28	HA3100A79	2
29	34CB3002A64	1
30	51XB1016A06	3
31	NP1256	1
32	99XM0440S01	2
33	33f flex horizontal	1

33-850-389



33-850-389

CUSTOMER IS RESPONSIBLE FOR DETERMINING THAT BALDOR'S PRODUCT WILL PERFORM SUITABLY IN THE INTENDED APPLICATION

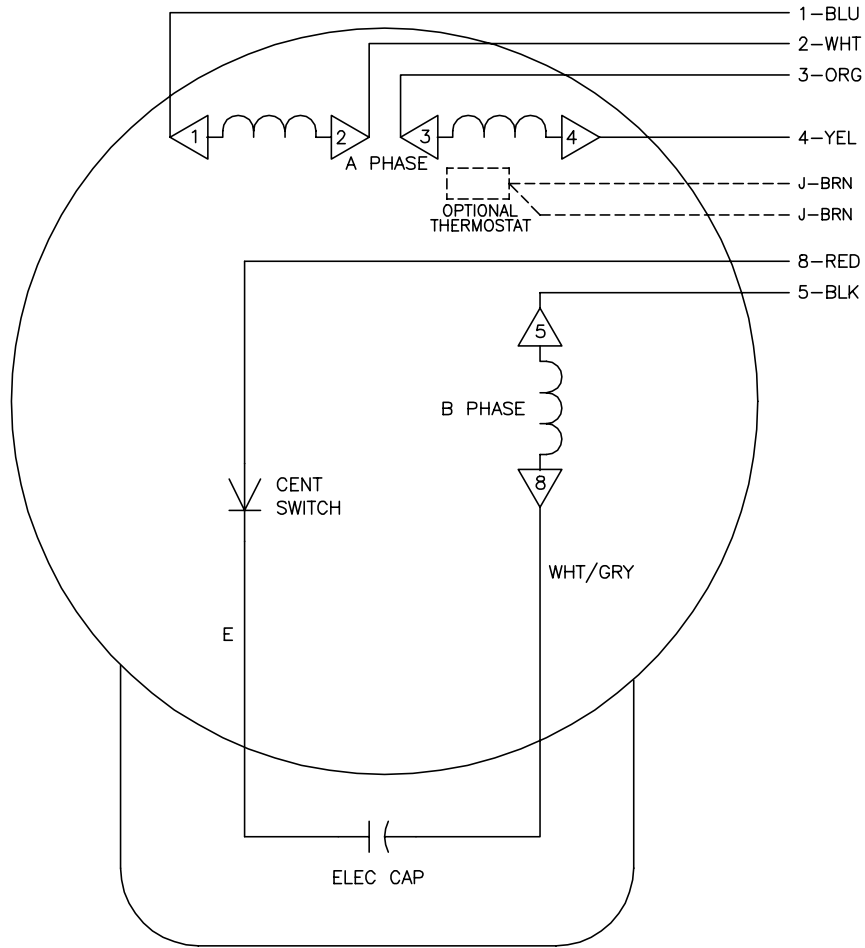
REV. DESC: CHG STATOR BAND AND THRU BOLTS			
REV: B	VERSION: 02	REVISED: 10:43:26 09/19/2011	TDR: 000000712859
68E-058-EE		MODEL NO. 33-850	REF:
		BY: CKAPRB0	

**BALDOR**

LY,33AC 16L 2P TEFC VER 42



CD0001A10



	LINE A	LINE B	JOIN
HIGH STD	1	4,5	2,3,8
HIGH OPP	1	4,8	2,3,5
LOW STD	1,3,8	2,4,5	-
LOW OPP	1,3,5	2,4,8	-

NOTES:

1. STANDARD ROTATION IS CCW FACING LEAD END
2. OPTIONAL THERMOSTAT IS PROVIDED WHEN SPECIFIED.
3. MULTIPLE CAPACITORS ARE CONNECTED IN PARALLEL UNLESS OTHERWISE SPECIFIED.
4. LEAD COLORS ARE OPTIONAL. LEADS MUST ALWAYS BE NUMBERED AS SHOWN.
5. = MAGNET WIRE COIL END WITH I.D. NUMBER

REV. DESC: NEW		
REV. LTR: -	VERSION: 00	TDR: 000000435106
01V100000	FILE: \CKA\00032\277	REVISED: 10:15:16 06/19/2007
	MTL: -	BY: CKNTLO

**Baldor • Dodge • Reliance**

TYPE L, DV, REV, 6 LD, CK

CD0001A10