

BALDOR® • **RELIANCE**

Product Information Packet

L1509T

7.5HP,3450RPM,1PH,60HZ,213T,3640LC,OPEN

Part Detail							
Revision:	U	Status:	PRD/A	Change #:		Proprietary:	No
Type:	AC	Prod. Type:	3640LC	Elec. Spec:	36WGY373	CD Diagram:	CD0017A02
Enclosure:	ODTF	Mfg Plant:		Mech. Spec:	36H282	Layout:	36LYH282
Frame:	213T	Mounting:	F1	Poles:	02	Created Date:	
Base:	RG	Rotation:	R	Insulation:	F	Eff. Date:	09-10-2015
Leads:	2#10 A PH,2#16 B PH					Replaced By:	
Literature:		Elec. Diagram:					

Nameplate NP1256L							
CAT.NO.	L1509T						
SPEC.	36H282Y373G2						
HP	7.5						
VOLTS	230						
AMP	30						
RPM	3450						
FRAME	213T	HZ	60	PH	1		
SER.F.	1.15	CODE	H	DES	L	CLASS	F
NEMA-NOM-EFF	82.5	PF	96				
RATING	40C AMB-CONT						
CC		USABLE AT 208V	33				
DE	6207	ODE	6205				
ENCL	ODTF	SN					

Parts List		
Part Number	Description	Quantity
SA036318	SA 36H282Y373G2	1.000 EA
RA032344	RA 36H282Y373G2	1.000 EA
HA6362ZP	LIFTING LUG FOR 36 FRAME MOTORS.	2.000 EA
36CB3004	36 CB CASTING W/1.09 DIA LEAD HOLE @ 6:0	1.000 EA
51XB1016A08	10-16X 1/2HXWSSLD SERTYB	2.000 EA
11XW1032G06	10-32 X .38, TAPTITE II, HEX WSHR SLTD U	1.000 EA
HW3001B01	BRASS CUP WASHER, FOR #8 SCREW	1.000 EA
36EP3200A03	SPL FR ENDPLATE -OPEN- FOR EXT FAN & DRI	1.000 EA
HW4500A01	1641B(ALEMITE)400 UNIV, GREASE FITT	1.000 EA
13XF0832A08	8-32 X.50 PAN HD,SLTD, TYPE F SCREW, ZIN	2.000 EA
SP1008A01	BAFFLE, MODEL 36 & 37	1.000 EA
10XN2520A12	O1/4-20X 3/4 HEX HEAD CAP	2.000 EA
HW5100A05	WVY WSHR F/205 & 304 BRGS	1.000 EA
36EP3203A01	PULLEY ENDPLATE 36 FRAME OPEN 207 BRGW/G	1.000 EA
HW4500A01	1641B(ALEMITE)400 UNIV, GREASE FITT	1.000 EA
HA3101A58	THRUBOLT 1/4-20 X 12.875 TDR #45540	4.000 EA
XY2520A12	1/4-20 HEX NUT, DIRECTIONAL SERRATIONS	4.000 EA
51XB1214A16	12-14X1.00 HXWSSLD SERTYB	1.000 EA
36FH4012A23	DRIP COVER NOTCH W/ AUTOPHERETIC	1.000 EA
51XW1032A06	10-32 X .38, TAPTITE II, HEX WSHR SLTD S	3.000 EA
36CB4516	36 LIPPED CB LID	1.000 EA
51XW0832A07	8-32 X .44, TAPTITE II, HEX WSHR SLTD SE	4.000 EA
HW2501F21	KEY, 5/16 SQ X 2.375	1.000 EA
HA7000A02	KEY RETAINER RING, 1 1/8 DIA, 1 3/8 DIA	1.000 EA

Parts List (continued)		
Part Number	Description	Quantity
85XU0407S04	4X1/4 U DRIVE PIN STAINLESS	2.000 EA
LB1115N	LABEL,LIFTING DEVICE (ON ROLLS)	1.000 EA
36CB5005A13	CAPACITOR BOX KIT,36CB3800,EC4270C06	1.000 EA
MJ1000A75	GREASE, POLYREX EM EXXON (USe 4824-15A)	0.050 LB
36FN3000A01SP	EXFN, PLASTIC, 7.00 OD, .912 ID	1.000 EA
MG1000G27	MED CHARCOAL METALLIC GREY	0.022 GA
SP5172A05	37 TYPE LC TORQ STAT SW LEAD ASSEMBLY	1.000 EA
LB1119N	WARNING LABEL	1.000 EA
LC0017	CONN LABEL-1 PHASE-SINGLE VOLT-REV ROTNO	1.000 EA
NP1256L	ALUM UL CSA CC	1.000 EA
36PA1001	PKG GRP, PRINT PK1017A06	1.000 EA
MN416A01	TAG-INSTAL-MAINT no wire (1200/bx) 11/14	1.000 EA

Accessories		
Part Number	Description	Multiplier
36-1206B	C FACE KIT 213-5TC ODP	A8

AC Induction Motor Performance Data

Record # 23623 - Typical performance - not guaranteed values

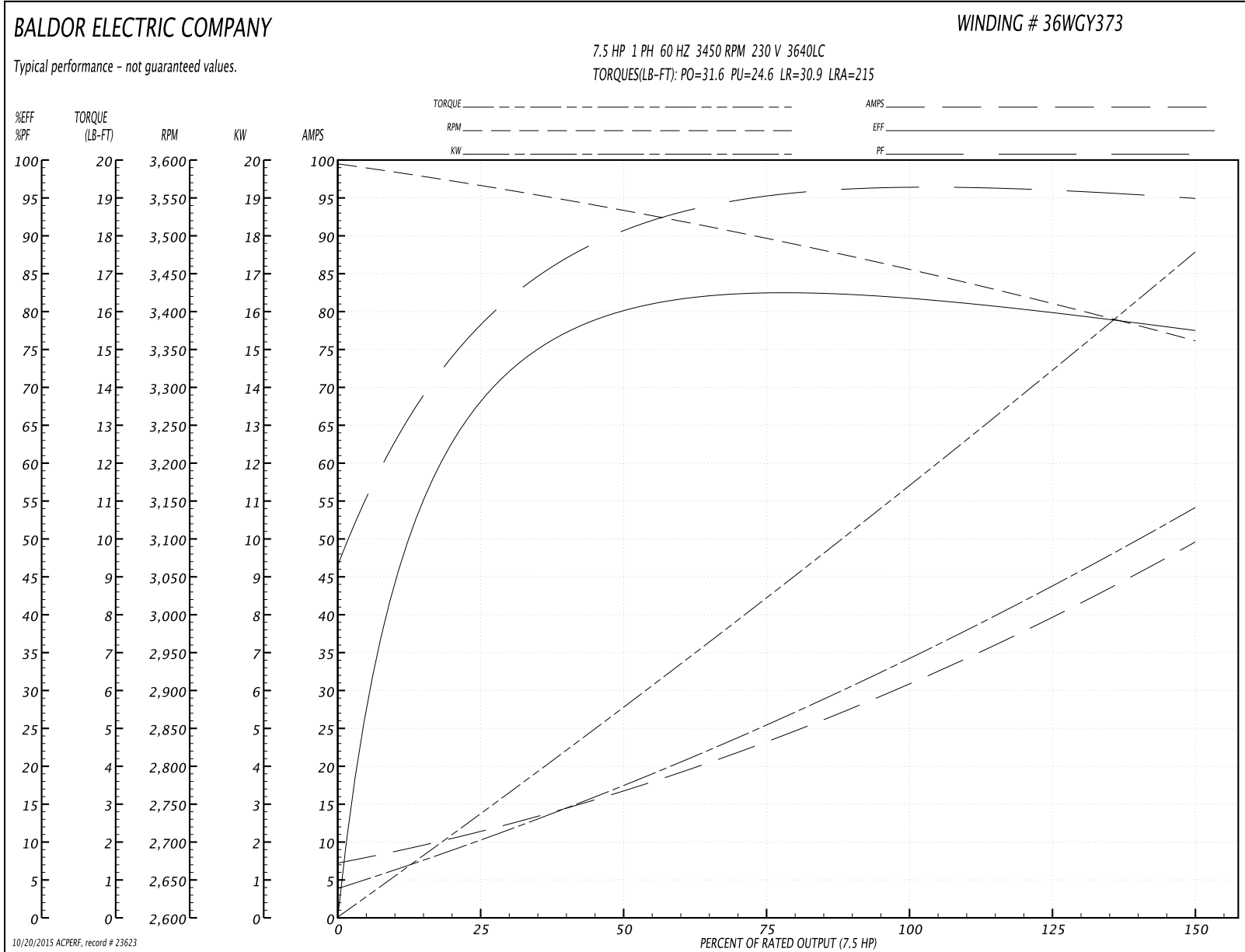
Winding: 36WGY373-R001	Type: 3640LC	Enclosure: ODTF
-------------------------------	---------------------	------------------------

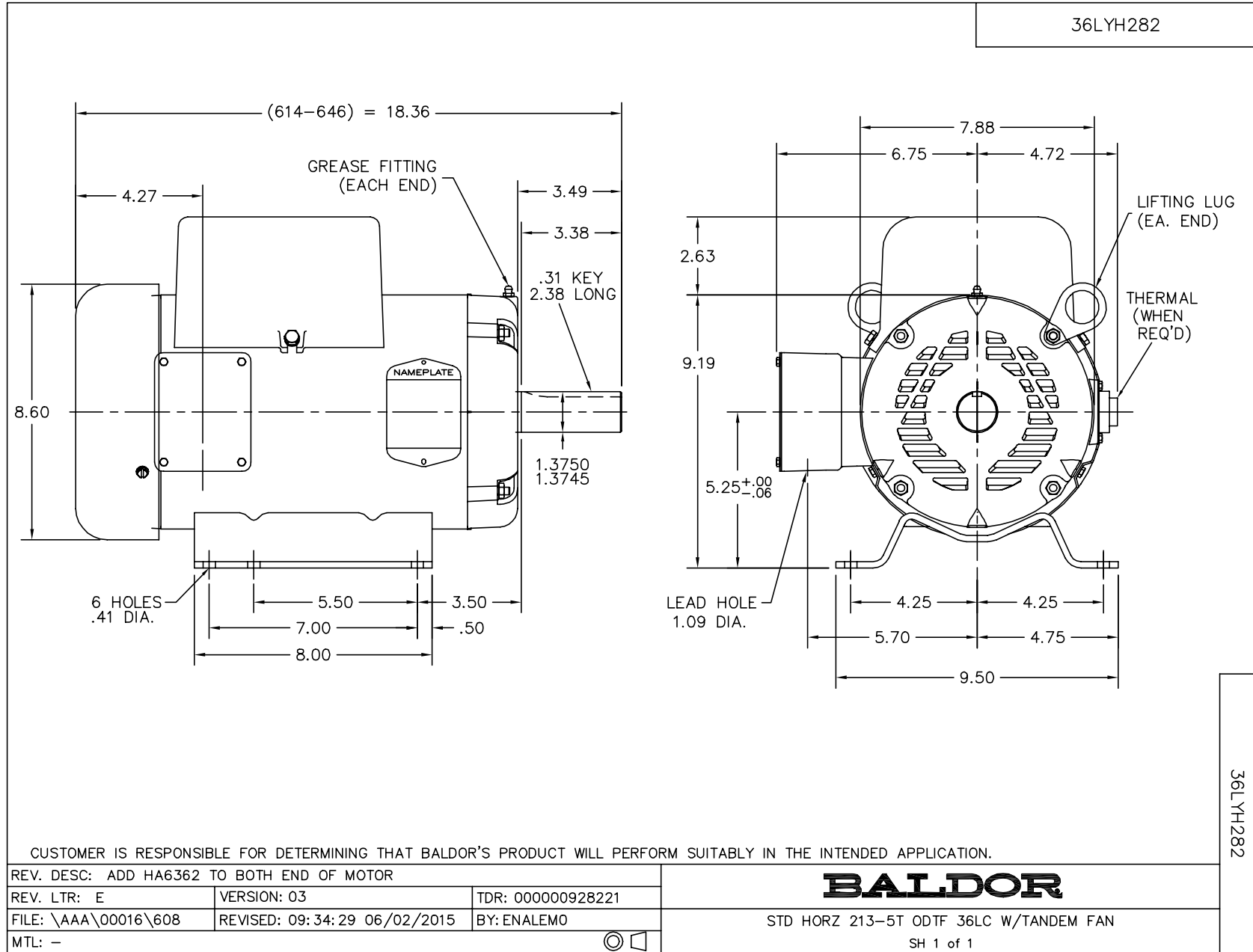
Nameplate Data				230 V, 60 Hz: Single Voltage Motor	
Rated Output (HP)	7.5			Full Load Torque	11.4 LB-FT
Volts	230			Start Configuration	direct on line
Full Load Amps	30			Breakdown Torque	31.6 LB-FT
R.P.M.	3450			Pull-up Torque	24.6 LB-FT
Hz	60	Phase	1	Locked-rotor Torque	30.9 LB-FT
NEMA Design Code	L	KVA Code	H	Starting Current	215 A
Service Factor (S.F.)	1.15			No-load Current	7.35 A
NEMA Nom. Eff.	82.5	Power Factor	96	Line-line Res. @ 25°C	0.25 Ω A Ph 0.881 Ω B Ph
Rating - Duty	40C AMB-CONT			Temp. Rise @ Rated Load	60°C
S.F. Amps				Temp. Rise @ S.F. Load	74°C

Load Characteristics 230 V, 60 Hz, 7.5 HP

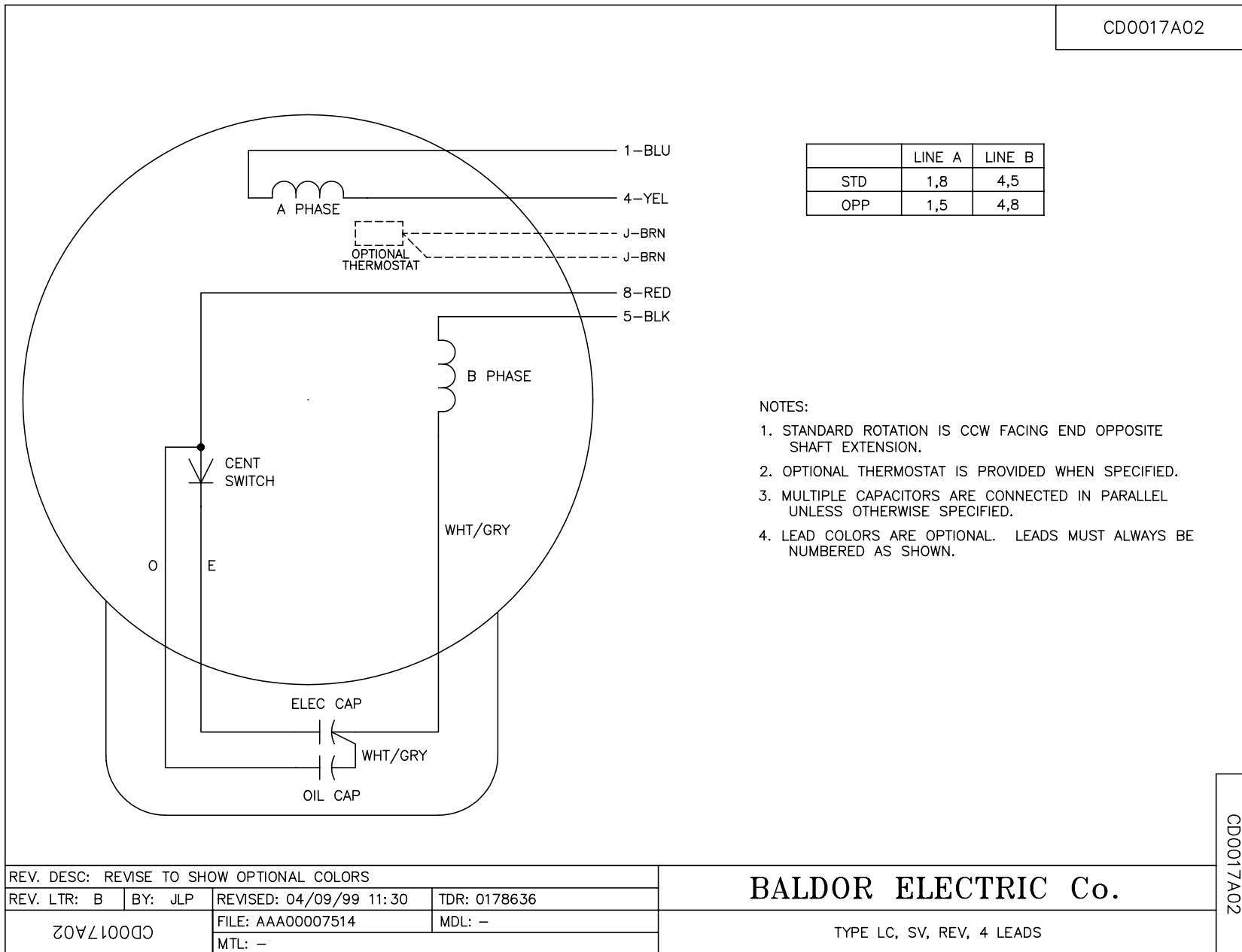
% of Rated Load	25	50	75	100	125	150	S.F.
Power Factor	82	92	94	96	96	96	96
Efficiency	65.8	78.7	82.9	82	80.4	77.2	81
Speed	3562	3531	3498	3458	3413	3358	3431
Line amperes	11.1	16.7	23.3	31.1	39.6	49.7	36.2

Performance Graph at 230V, 60Hz, 7.5HP Typical performance - Not guaranteed values





CD0017A02



CD0017A02

REV. DESC: REVISE TO SHOW OPTIONAL COLORS			
REV. LTR: B	BY: JLP	REVISED: 04/09/99 11:30	TDR: 0178636
CD0017A02		FILE: AAA00007514	MDL: -
		MTL: -	

BALDOR ELECTRIC Co.

TYPE LC, SV, REV, 4 LEADS