

BALDOR® • *RELIANCE*

Product Information Packet

L1401M

1HP,1725RPM,1PH,60HZ,182,3617L,OPEN,F1

Part Detail							
Revision:	AA	Status:	PRD/A	Change #:		Proprietary:	No
Type:	AC	Prod. Type:	3617L	Elec. Spec:	36WG0377	CD Diagram:	CD0008
Enclosure:	OPEN	Mfg Plant:		Mech. Spec:	36D011	Layout:	36LYD011
Frame:	182	Mounting:	F1	Poles:	04	Created Date:	
Base:	RG	Rotation:	R	Insulation:	B	Eff. Date:	09-10-2015
Leads:	6#16,1#14 #4TH					Replaced By:	
Literature:		Elec. Diagram:					

Nameplate NP1257L							
CAT.NO.	L1401M						
SPEC.	36D11-377						
HP	1						
VOLTS	115/230						
AMP	14/7						
RPM	1725						
FRAME	182	HZ	60	PH	1		
SER.F.	1.15	CODE	J	DES	L	CL	B
NEMA-NOM-EFF	70	PF	66				
RATING	40C AMB-CONT						
CC		USABLE AT 208V					
DE	6206	ODE	6205				
ENCL	OPEN	SN					

Parts List		
Part Number	Description	Quantity
SA034378	SA 36D11-377	1.000 EA
RA030406	RA 36D11-377	1.000 EA
EC1645A06SP	ELEC CAP, 645-774 MFD, 125V, 2.06D X 4.	1.000 EA
36CB3004	36 CB CASTING W/1.09 DIA LEAD HOLE @ 6:0	1.000 EA
51XB1016A08	10-16X 1/2HXWSSLD SERTYB	2.000 EA
11XW1032G06	10-32 X .38, TAPTITE II, HEX WSHR SLTD U	1.000 EA
HW3001B01	BRASS CUP WASHER, FOR #8 SCREW	1.000 EA
36EP3200A01SP	FR ENDPLATE, MACH	1.000 EA
HW4500A01	1641B(ALEMITE)400 UNIV, GREASE FITT	1.000 EA
13XF0832A08	8-32 X.50 PAN HD,SLTD, TYPE F SCREW, ZIN	2.000 EA
NS2501A01	INSULATOR, CAPACITOR	1.000 EA
SP1008A01	BAFFLE, MODEL 36 & 37	1.000 EA
35CB4802A02SP	CAPACITOR COVER, STAMPED X W/AUTOPHORET	1.000 EA
51XB1016A05	10-16X5/16HX WA SL SR TYB (F/S)	2.000 EA
HW5100A05	WVY WSHR F/205 & 304 BRGS	1.000 EA
36EP3201A01	PU ENDPLATE, MACH 182-4T	1.000 EA
HW4500A01	1641B(ALEMITE)400 UNIV, GREASE FITT	1.000 EA
XY2520A12	1/4-20 HEX NUT, DIRECTIONAL SERRATIONS	4.000 EA
36CB4516	36 LIPPED CB LID	1.000 EA
51XW0832A07	8-32 X .44, TAPTITE II, HEX WSHR SLTD SE	4.000 EA
HW2501D13SP	KEY, 3/16 SQ X 1.375	1.000 EA
HA7000A01	KEY RETAINER 7/8" DIA SHAFT	1.000 EA
85XU0407S04	4X1/4 U DRIVE PIN STAINLESS	2.000 EA
WD1000A15	3-520132-2 AMP FLAG (4M/RL NON-CANC/NON-	2.000 EA

Parts List (continued)		
Part Number	Description	Quantity
MJ1000A75	GREASE, POLYREX EM EXXON (USe 4824-15A)	0.050 LB
MG1000G27	MED CHARCOAL METALLIC GREY	0.022 GA
HA3101A23	THRUBOLT 1/4-20 X 9.625 DEMBY	4.000 EA
SP5172A09	37 TYPE L TORQ STAT SWITCH LEAD ASSEMBLY	1.000 EA
LB1119N	WARNING LABEL	1.000 EA
LB1087	LABEL,MANUAL RESET (ROLL LABEL)	1.000 EA
LC0008	CONNECTION LABEL	1.000 EA
NP1257L	ALUM UL CSA CC THERMAL REV MTG	1.000 EA
36PA1000	PKG GRP, PRINT PK1016A06	1.000 EA
MN416A01	TAG-INSTAL-MAINT no wire (1200/bx) 11/14	1.000 EA

Accessories		
Part Number	Description	Multiplier
36-486	C FACE KIT	A8
36EP1405A09SP	D-FLANGE KIT	A8

AC Induction Motor Performance Data

Record # 10467 - Typical performance - not guaranteed values

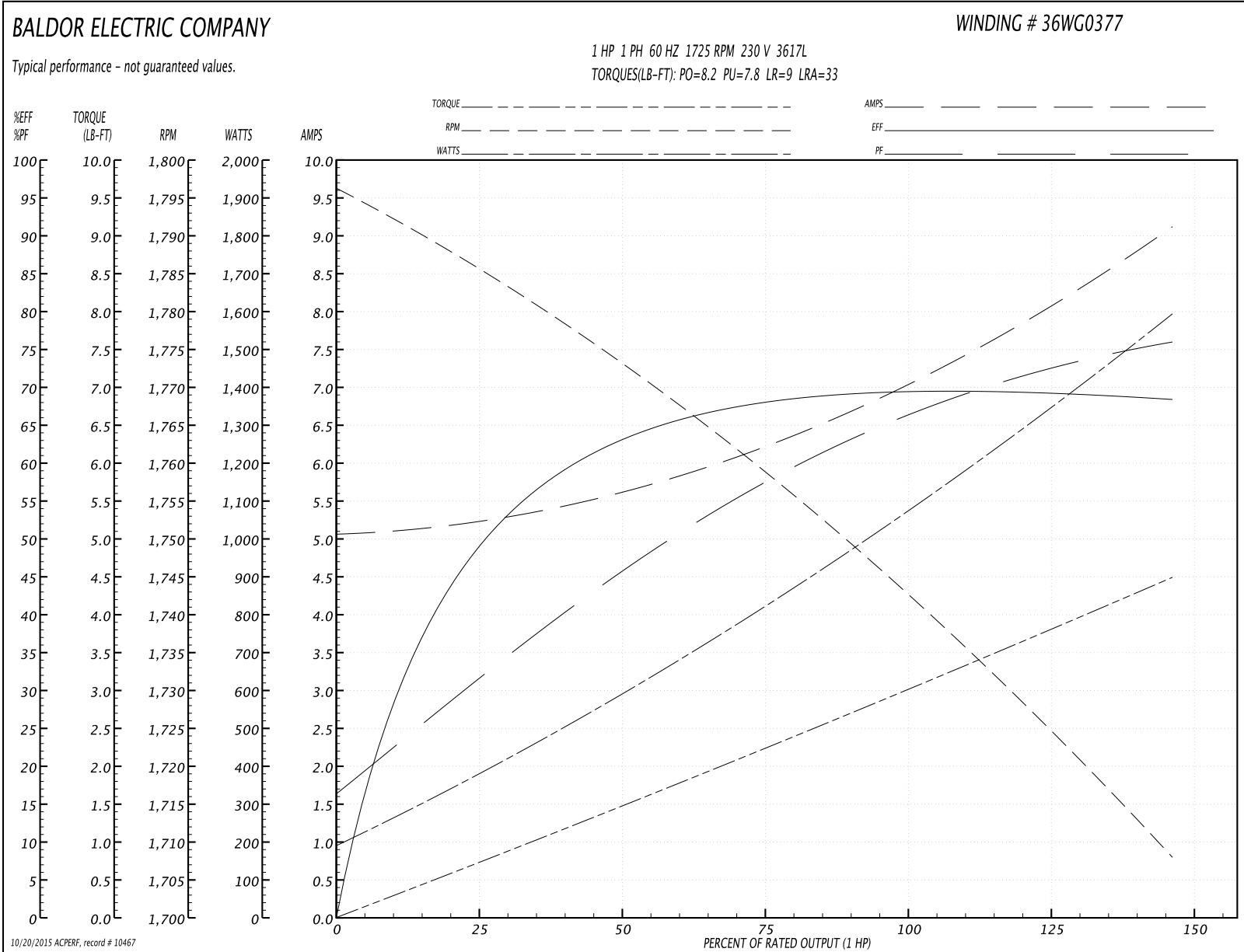
Winding: 36WG0377-R001	Type: 3617L	Enclosure: OPEN
-------------------------------	--------------------	------------------------

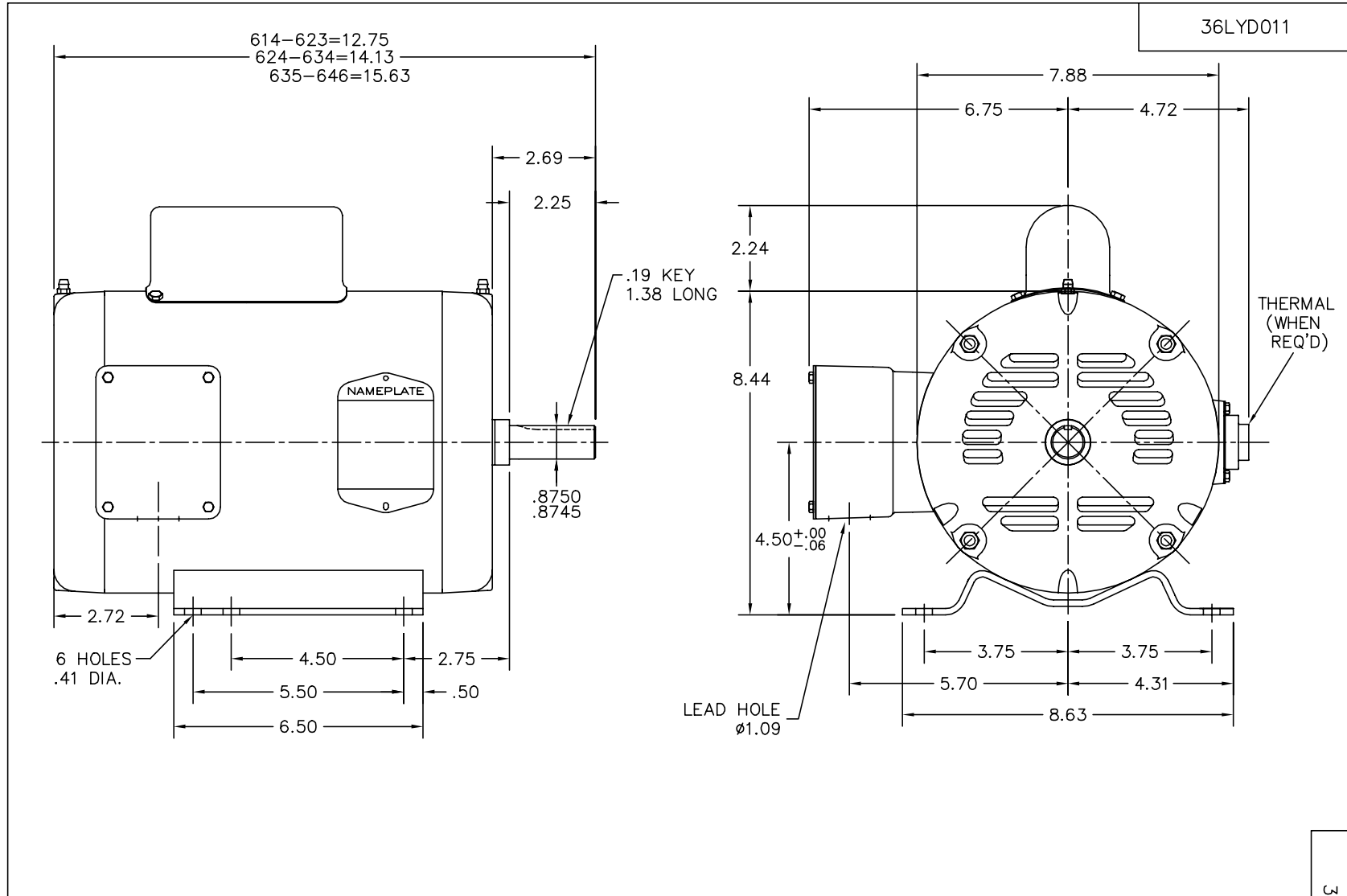
Nameplate Data				230 V, 60 Hz: High Voltage Connection	
Rated Output (HP)	1			Full Load Torque	3 LB-FT
Volts	115/230			Start Configuration	direct on line
Full Load Amps	14/7			Breakdown Torque	8.2 LB-FT
R.P.M.	1725			Pull-up Torque	7.8 LB-FT
Hz	60	Phase	1	Locked-rotor Torque	9 LB-FT
NEMA Design Code	L	KVA Code	J	Starting Current	33 A
Service Factor (S.F.)	1.15			No-load Current	5 A
NEMA Nom. Eff.	70	Power Factor	66	Line-line Res. @ 25°C	1.99 Ω A Ph 1.76 Ω B Ph
Rating - Duty	40C AMB-CONT			Temp. Rise @ Rated Load	36°C
S.F. Amps				Temp. Rise @ S.F. Load	47°C

Load Characteristics 230 V, 60 Hz, 1 HP

% of Rated Load	25	50	75	100	125	150	S.F.
Power Factor	32	48	57	66	72	77	70
Efficiency	49	62.3	67.6	70.1	70	67.9	70
Speed	1784	1770	1760	1744	1728	1706	1734
Line amperes	5.3	5.7	6.2	7	7.9	9.2	7.5

Performance Graph at 230V, 60Hz, 1.0HP Typical performance - Not guaranteed values





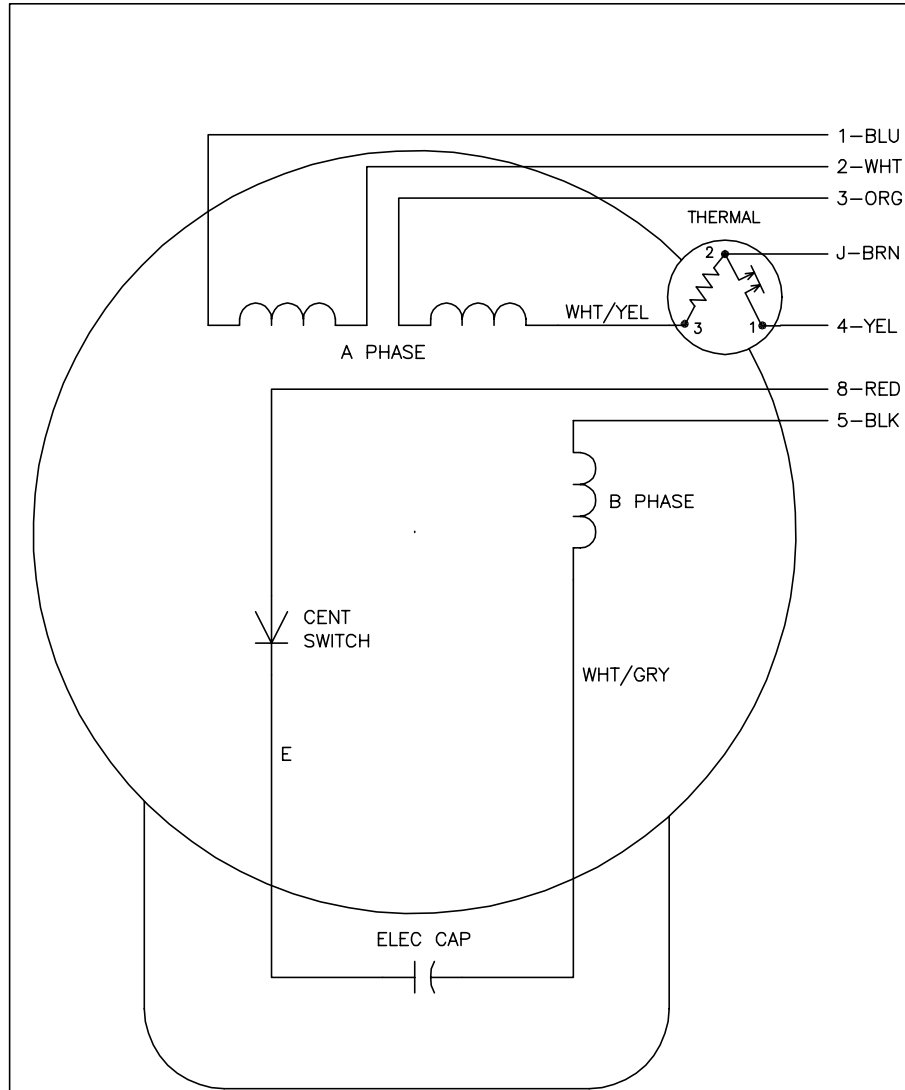
CUSTOMER IS RESPONSIBLE FOR DETERMINING THAT MOTOR PERFORMANCE IS SUITABLE IN THE APPLICATION.

REV. DESC: CORRECT PLOT FILE			
REV. LTR: F	BY: JF	REVISED: 10:21:47 06/04/2003	TDR: 304239
110DA79E		FILE: AAA00002581	REF: 36LYD011
		MTL: -	

BALDOR ELECTRIC Co.
STD HORZ 182-4 OPEN 36L

36LYD011

CD0008



	LINE A	LINE B	JOIN	JOIN
HIGH STD	1	4	2,3,8	J,5
HIGH OPP	1	4	2,3,5	J,8
LOW STD	1,3,8	4	-	2,J,5
LOW OPP	1,3,5	4	-	2,J,8

NOTES:

1. STANDARD ROTATION IS CCW FACING END OPPOSITE SHAFT EXTENSION.
2. MULTIPLE CAPACITORS ARE CONNECTED IN PARALLEL UNLESS OTHERWISE SPECIFIED.
3. LEAD COLORS ARE OPTIONAL. LEADS MUST ALWAYS BE NUMBERED AS SHOWN.

REV. DESC: REMOVE 2-TERMINAL THERMAL DETAIL, SEE CD0008A02		
REV. LTR: F	VERSION: 01	TDR: 000000360649
800000	FILE: \AAA\00007\408	REVISED: 10:56:54 04/18/2005
	MTL: -	BY: ENJOEPO

BALDOR ELECTRIC Co.

TYPE L, DV, REV, THERMAL, 7 LEADS

CD0008