

BALDOR® • ***RELIANCE***

Product Information Packet

L1320T

2HP,3450RPM,1PH,60HZ,145T,3528LC,OPEN,F1

| Part Detail | | | | | | | |
|-------------|---------------------|----------------|--------|-------------|----------|---------------|------------|
| Revision: | B | Status: | PRD/A | Change #: | | Proprietary: | No |
| Type: | AC | Prod. Type: | 3528LC | Elec. Spec: | 35WG1639 | CD Diagram: | CD0016A01 |
| Enclosure: | OPEN | Mfg Plant: | | Mech. Spec: | 35Y525 | Layout: | 35LYY525 |
| Frame: | 145T | Mounting: | F1 | Poles: | 02 | Created Date: | 12-07-2009 |
| Base: | RG | Rotation: | R | Insulation: | B | Eff. Date: | 07-18-2012 |
| Leads: | 4#14 A PH,3#18 B PH | | | | | Replaced By: | |
| Literature: | | Elec. Diagram: | | | | | |

| Nameplate NP1256L | | | | | | | |
|-------------------|---------------|----------------|------|-----|---|-------|---|
| CAT.NO. | L1320T | | | | | | |
| SPEC. | 35Y525-1639G1 | | | | | | |
| HP | 2 | | | | | | |
| VOLTS | 115/230 | | | | | | |
| AMP | 23/11.5 | | | | | | |
| RPM | 3450 | | | | | | |
| FRAME | 145T | HZ | 60 | PH | 1 | | |
| SER.F. | 1.15 | CODE | H | DES | L | CLASS | B |
| NEMA-NOM-EFF | 71 | PF | 75 | | | | |
| RATING | 40C AMB-CONT | | | | | | |
| CC | | USABLE AT 208V | 12 | | | | |
| DE | 6205 | ODE | 6203 | | | | |
| ENCL | OPEN | SN | | | | | |
| | | | | | | | |

| Parts List | | |
|-------------|--|----------|
| Part Number | Description | Quantity |
| SA188439 | SA 35Y525-1639G1 | 1.000 EA |
| RA176173 | RA 35Y525-1639G1 | 1.000 EA |
| OC3012F12SP | CYL OIL CAP 12MFD/370V | 1.000 EA |
| EC1850A06SP | ELEC CAP 115V 2.0 X 4.3 X | 1.000 EA |
| NS2512A01 | INSULATOR, CONDUIT BOX X | 1.000 EA |
| 35CB3009 | 35 CB CASTING W/1.09 DIA. LEAD HOLE @ 6: | 1.000 EA |
| 51XB1016A07 | 10-16 X 7/16 HXWSSLD SERTYB | 2.000 EA |
| 11XW1032G06 | 10-32 X .38, TAPTITE II, HEX WSHR SLTD U | 1.000 EA |
| 35EP3201A01 | STD FR ENDPLATE-OPEN-203 BRG W/GREASER | 1.000 EA |
| HW4500A01 | 1641B(ALEMITE)400 UNIV, GREASE FITT | 1.000 EA |
| 51XW0832A07 | 8-32 X .44, TAPTITE II, HEX WSHR SLTD SE | 2.000 EA |
| 35CB3801SP | CAPACITOR COVER, CAST | 1.000 EA |
| HA7010 | CAPACITOR RETENTION CLAMP | 1.000 EA |
| NS2501A02 | INSULATOR, CAPACITOR BOX | 1.000 EA |
| 51XB1016A08 | 10-16X 1/2HXWSSLD SERTYB | 2.000 EA |
| HW5100A03SP | WAVY WASHER (W1543-017) | 1.000 EA |
| 35EP3200A01 | STD PU ENDPLATE-OPEN-205 BRG W/GREASER | 1.000 EA |
| HW4500A01 | 1641B(ALEMITE)400 UNIV, GREASE FITT | 1.000 EA |
| XY1032A02 | 10-32 HEX NUT DIRECTIONAL SERRATION | 4.000 EA |
| 35CB4521 | 35 LIPPED CB LID (GALV & PHOSPH) | 1.000 EA |
| 51XW0832A07 | 8-32 X .44, TAPTITE II, HEX WSHR SLTD SE | 4.000 EA |
| HW2501D13SP | KEY, 3/16 SQ X 1.375 | 1.000 EA |
| HA7000A01 | KEY RETAINER 7/8" DIA SHAFT | 1.000 EA |
| 10XF0440S02 | 04-40 X 1/8 TYPE F HEX HD STAINLESS STIC | 2.000 EA |

| Parts List (continued) | | |
|-------------------------------|--|-----------------|
| Part Number | Description | Quantity |
| WD1000A15 | 3-520132-2 AMP FLAG (4M/RL NON-CANC/NON- | 1.000 EA |
| SP1006A01 | TERM. BOARD, MODE 35 SW X H-23655 | 1.000 EA |
| MJ1000A75 | GREASE, POLYREX EM EXXON (USe 4824-15A) | 0.050 LB |
| MG1000G27 | MED CHARCOAL METALLIC GREY | 0.017 GA |
| HA3100A18 | THRUBOLT 10-32 X 9.250 | 4.000 EA |
| 34GS5003 | FOAM SLEEVE, ID = 2 1/16" X 3 3/8" | 2.000 EA |
| SP5056A61 | MODEL 35 LC STATIONARY SWITCH LEAD ASSY | 1.000 EA |
| MN416A01 | TAG-INSTAL-MAINT no wire (1200/bx) 11/14 | 1.000 EA |
| LB1119N | WARNING LABEL | 1.000 EA |
| LC0016 | CONNECTION LABEL | 1.000 EA |
| NP1256L | ALUM UL CSA CC | 1.000 EA |
| 35PA1066 | PKG GRP, PRINT PK1008A06 | 1.000 EA |

| Accessories | | |
|--------------------|--------------------|-------------------|
| Part Number | Description | Multiplier |
| 35-8764 | C FACE KIT | A8 |
| 35EP1604A01SP | D-FLANGE KIT | A8 |

AC Induction Motor Performance Data
Record # 8155 - Typical performance - not guaranteed values

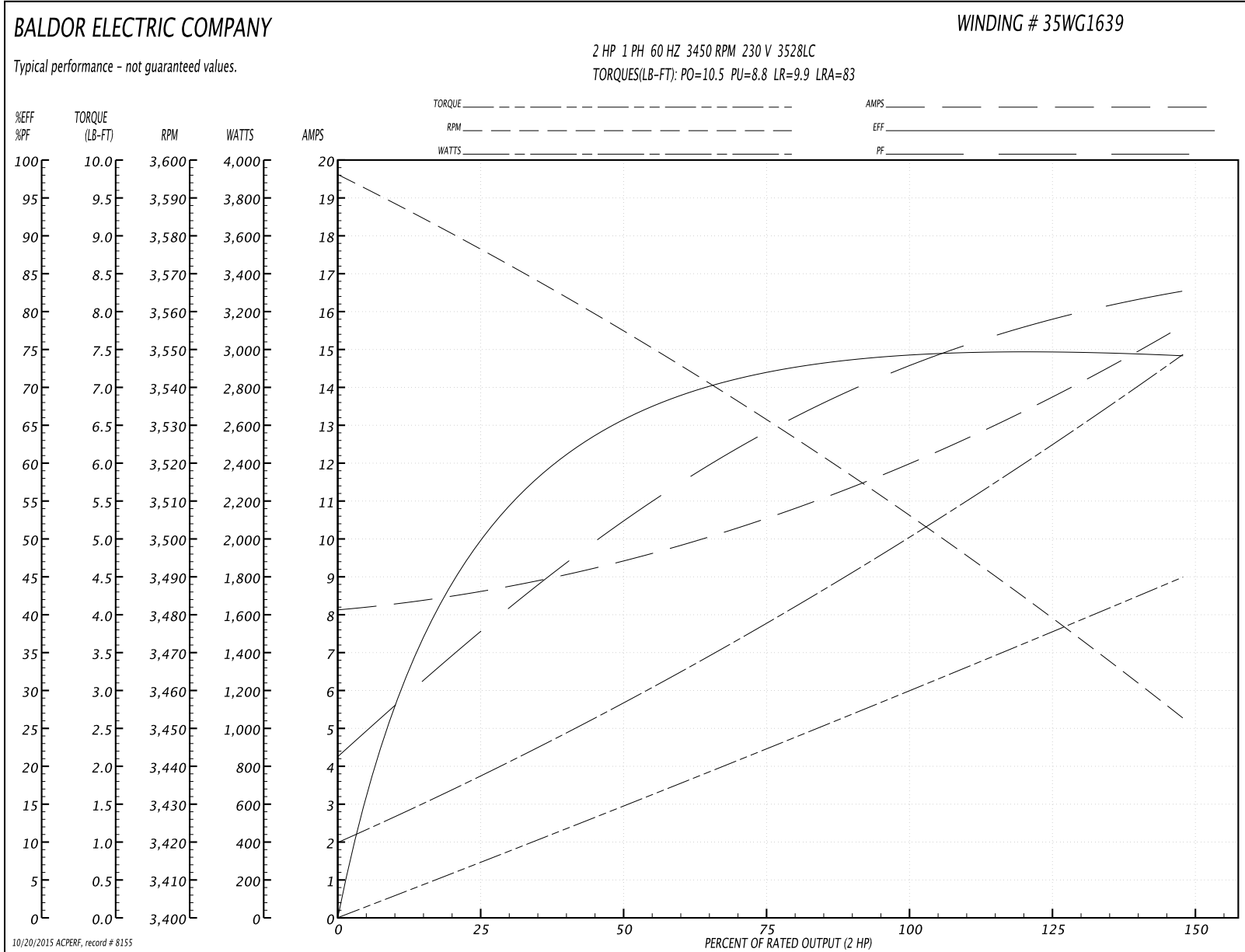
| | | |
|-------------------------------|---------------------|------------------------|
| Winding: 35WG1639-R001 | Type: 3528LC | Enclosure: OPEN |
|-------------------------------|---------------------|------------------------|

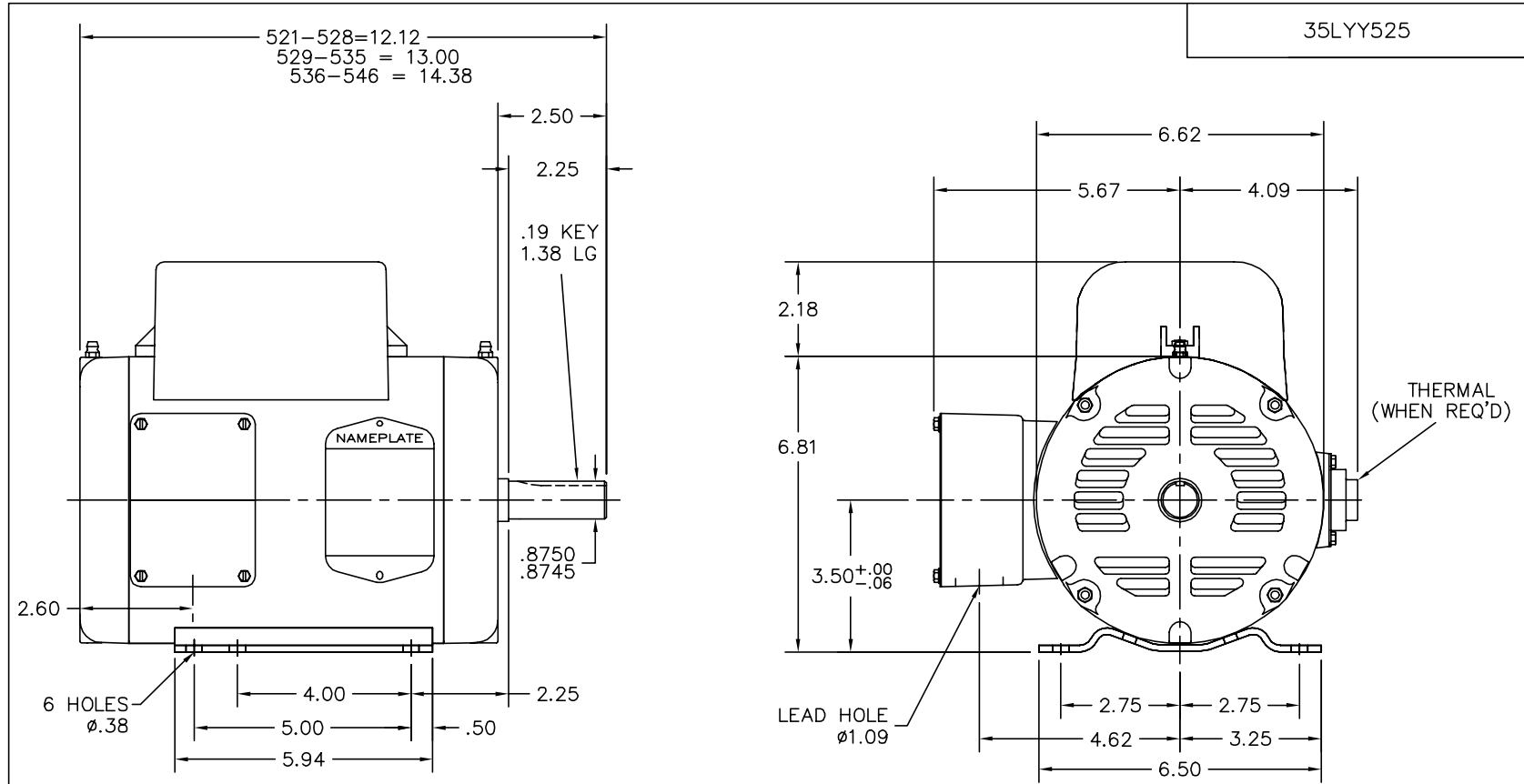
| Nameplate Data | | | | 230 V, 60 Hz: High Voltage Connection | |
|-----------------------|--------------|--------------|----|--|------------------------------|
| Rated Output (HP) | 2 | | | Full Load Torque | 3 LB-FT |
| Volts | 115/230 | | | Start Configuration | direct on line |
| Full Load Amps | 23/11.5 | | | Breakdown Torque | 10.5 LB-FT |
| R.P.M. | 3450 | | | Pull-up Torque | 8.8 LB-FT |
| Hz | 60 | Phase | 1 | Locked-rotor Torque | 9.9 LB-FT |
| NEMA Design Code | L | KVA Code | H | Starting Current | 83 A |
| Service Factor (S.F.) | 1.15 | | | No-load Current | 8.1 A |
| NEMA Nom. Eff. | 71 | Power Factor | 75 | Line-line Res. @ 25°C | 0.844 Ω A Ph 0.918 Ω B Ph |
| Rating - Duty | 40C AMB-CONT | | | Temp. Rise @ Rated Load | 45°C |
| S.F. Amps | | | | Temp. Rise @ S.F. Load | 49°C |

Load Characteristics 230 V, 60 Hz, 2 HP

| % of Rated Load | 25 | 50 | 75 | 100 | 125 | 150 | S.F. |
|-----------------|------|------|------|------|------|------|-------|
| Power Factor | 40 | 56 | 65 | 75 | 80 | 84 | 78 |
| Efficiency | 50 | 65 | 73 | 74 | 75 | 74 | 74.6 |
| Speed | 3574 | 3552 | 3533 | 3506 | 3482 | 3451 | 3492 |
| Line amperes | 8.6 | 9.6 | 10.5 | 12 | 13.6 | 15.7 | 12.96 |

Performance Graph at 230V, 60Hz, 2.0HP Typical performance - Not guaranteed values





CUSTOMER IS RESPONSIBLE FOR DETERMINING THAT BALDOR'S PRODUCT WILL PERFORM SUITABLY IN THE INTENDED APPLICATION.

| | | |
|----------------------|-------------|--------------------------------|
| REV. DESC: NEW | | |
| REV. LTR: - | VERSION: 00 | TDR: 000000520927 |
| FILE: \AAA\00168\028 | | REVISED: 01: 35: 53 12/07/2009 |
| MTL: - | | BY: ENGAMGO |

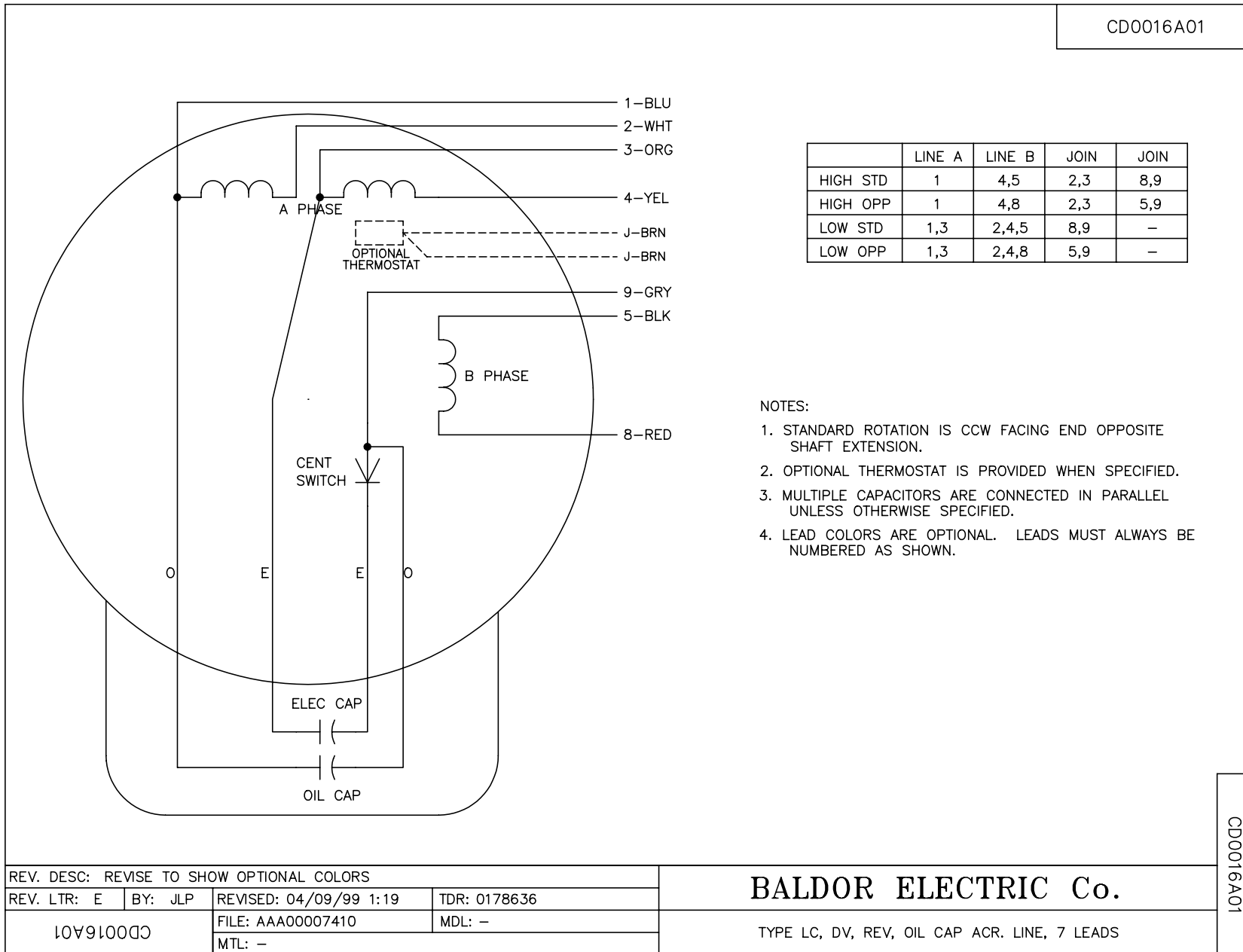
BALDOR • DODGE • RELIANCE

HORZ 143-5T OPEN 35LC W/2 POLE "W" BASE & 1.09 LEAD HOLE

SH 1 of 1

35LYY525

CD0016A01



| | LINE A | LINE B | JOIN | JOIN |
|----------|--------|--------|------|------|
| HIGH STD | 1 | 4,5 | 2,3 | 8,9 |
| HIGH OPP | 1 | 4,8 | 2,3 | 5,9 |
| LOW STD | 1,3 | 2,4,5 | 8,9 | - |
| LOW OPP | 1,3 | 2,4,8 | 5,9 | - |

NOTES:

1. STANDARD ROTATION IS CCW FACING END OPPOSITE SHAFT EXTENSION.
2. OPTIONAL THERMOSTAT IS PROVIDED WHEN SPECIFIED.
3. MULTIPLE CAPACITORS ARE CONNECTED IN PARALLEL UNLESS OTHERWISE SPECIFIED.
4. LEAD COLORS ARE OPTIONAL. LEADS MUST ALWAYS BE NUMBERED AS SHOWN.

| | | | |
|---|---------|------------------------|--------------|
| REV. DESC: REVISE TO SHOW OPTIONAL COLORS | | | |
| REV. LTR: E | BY: JLP | REVISED: 04/09/99 1:19 | TDR: 0178636 |
| CD0016A01 | | FILE: AAA00007410 | MDL: - |
| | | MTL: - | |

BALDOR ELECTRIC Co.

TYPE LC, DV, REV, OIL CAP ACR. LINE, 7 LEADS

CD0016A01