

BALDOR® • RELIANCE

Product Information Packet

L1318T

1HP,1725RPM,1PH,60HZ,143T,3528L,OPEN,F1

Part Detail							
Revision:	E	Status:	PRD/A	Change #:		Proprietary:	No
Type:	AC	Prod. Type:	3528L	Elec. Spec:	35WG0488	CD Diagram:	CD0001
Enclosure:	OPEN	Mfg Plant:		Mech. Spec:	35DD001	Layout:	35LYDD001
Frame:	143T	Mounting:	F1	Poles:	04	Created Date:	12-22-2009
Base:	RG	Rotation:	R	Insulation:	B	Eff. Date:	09-14-2015
Leads:	6#18					Replaced By:	
Literature:		Elec. Diagram:					

Nameplate NP1256L							
CAT.NO.	L1318T						
SPEC.	35DD001-0488						
HP	1						
VOLTS	115/230						
AMP	12.4/6.2						
RPM	1725						
FRAME	143T	HZ	60	PH	1		
SER.F.	1.15	CODE	K	DES	L	CLASS	B
NEMA-NOM-EFF	67	PF	68				
RATING	40C AMB-CONT						
CC		USABLE AT 208V	6.5				
DE	6205	ODE	6203				
ENCL	OPEN	SN					

Parts List		
Part Number	Description	Quantity
SA189071	SA 35DD001-0488	1.000 EA
RA176790	RA 35DD001-0488	1.000 EA
EC1645A06SP	ELEC CAP, 645-774 MFD, 125V, 2.06D X 4.	1.000 EA
NS2512A01	INSULATOR, CONDUIT BOX X	1.000 EA
35CB3009	35 CB CASTING W/1.09 DIA. LEAD HOLE @ 6:	1.000 EA
51XB1016A07	10-16 X 7/16 HXWSSLD SERTYB	2.000 EA
11XW1032G06	10-32 X .38, TAPTITE II, HEX WSHR SLTD U	1.000 EA
35EP3201A01	STD FR ENDPLATE-OPEN-203 BRG W/GREASER	1.000 EA
HW4500A01	1641B(ALEMITE)400 UNIV, GREASE FITT	1.000 EA
51XW0832A07	8-32 X .44, TAPTITE II, HEX WSHR SLTD SE	2.000 EA
NS2501A01	INSULATOR, CAPACITOR	1.000 EA
35CB4802A02SP	CAPACITOR COVER, STAMPED X W/AUTOPHORET	1.000 EA
51XB1016A05	10-16X5/16HX WA SL SR TYB (F/S)	2.000 EA
HW5100A03SP	WAVY WASHER (W1543-017)	1.000 EA
35EP3200A01	STD PU ENDPLATE-OPEN-205 BRG W/GREASER	1.000 EA
HW4500A01	1641B(ALEMITE)400 UNIV, GREASE FITT	1.000 EA
XY1032A02	10-32 HEX NUT DIRECTIONAL SERRATION	4.000 EA
35CB4521	35 LIPPED CB LID (GALV & PHOSPH)	1.000 EA
51XW0832A07	8-32 X .44, TAPTITE II, HEX WSHR SLTD SE	4.000 EA
HW2501D13SP	KEY, 3/16 SQ X 1.375	1.000 EA
HA7000A01	KEY RETAINER 7/8" DIA SHAFT	1.000 EA
85XU0407S04	4X1/4 U DRIVE PIN STAINLESS	2.000 EA
WD1000A15	3-520132-2 AMP FLAG (4M/RL NON-CANC/NON-	2.000 EA
MJ1000A75	GREASE, POLYREX EM EXXON (USe 4824-15A)	0.050 LB

Parts List (continued)		
Part Number	Description	Quantity
MG1000G27	MED CHARCOAL METALLIC GREY	0.017 GA
SP5051A24	MODEL 35 TORQ STATIONARY SWITCH FOR "L"	1.000 EA
HA3100A18	THRUBOLT 10-32 X 9.250	4.000 EA
LC0001A01	CONN LABEL / WARNING LABEL (LC0001 / LB1	1.000 EA
NP1256L	ALUM UL CSA CC	1.000 EA
35PA1066	PKG GRP, PRINT PK1008A06	1.000 EA
MN416A01	TAG-INSTAL-MAINT no wire (1200/bx) 11/14	1.000 EA

Accessories		
Part Number	Description	Multiplier
35-8764	C FACE KIT	A8
35EP1604A01SP	D-FLANGE KIT	A8

AC Induction Motor Performance Data

Record # 20311 - Typical performance - not guaranteed values

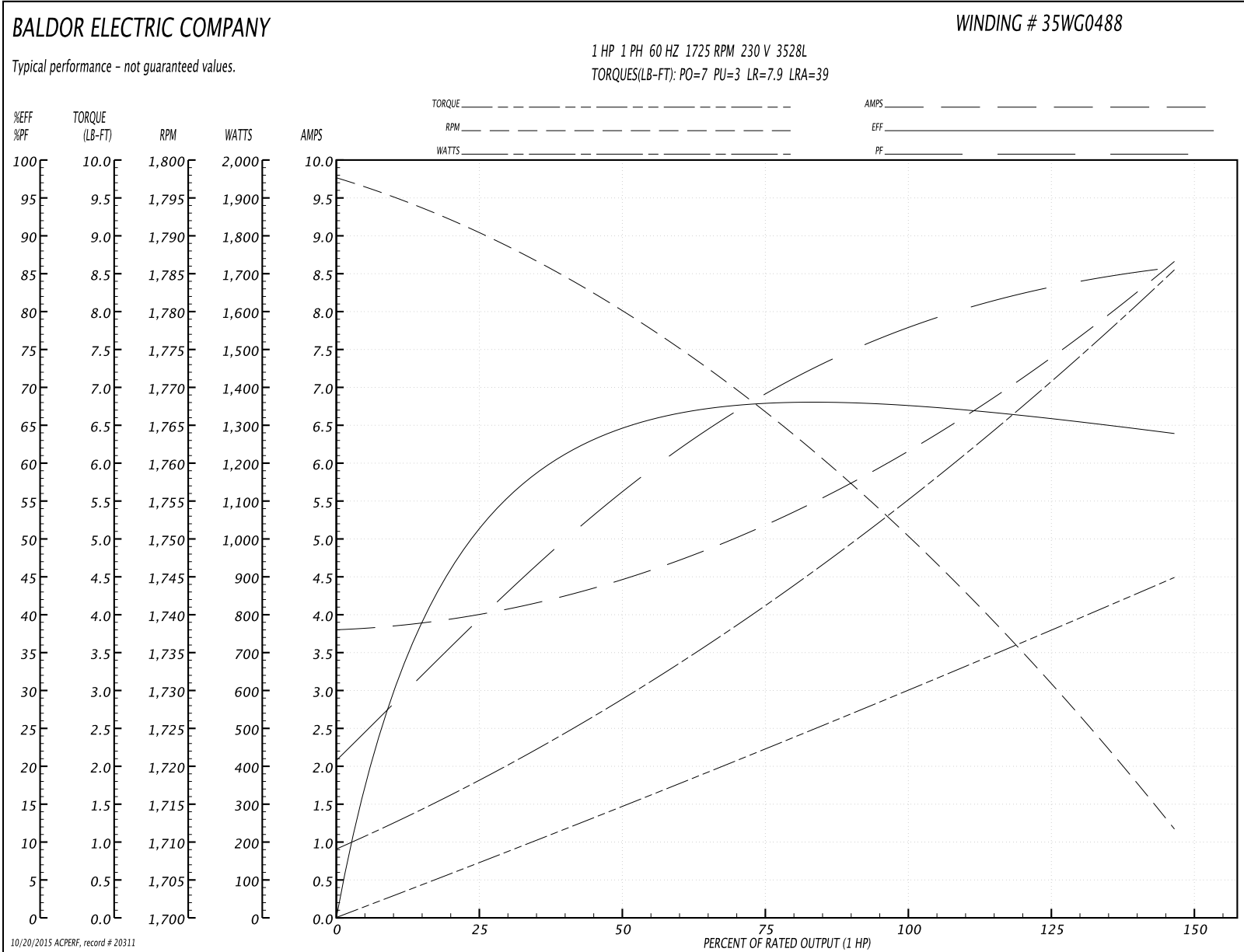
Winding: 35WG0488-R001	Type: 3528L	Enclosure: OPEN
-------------------------------	--------------------	------------------------

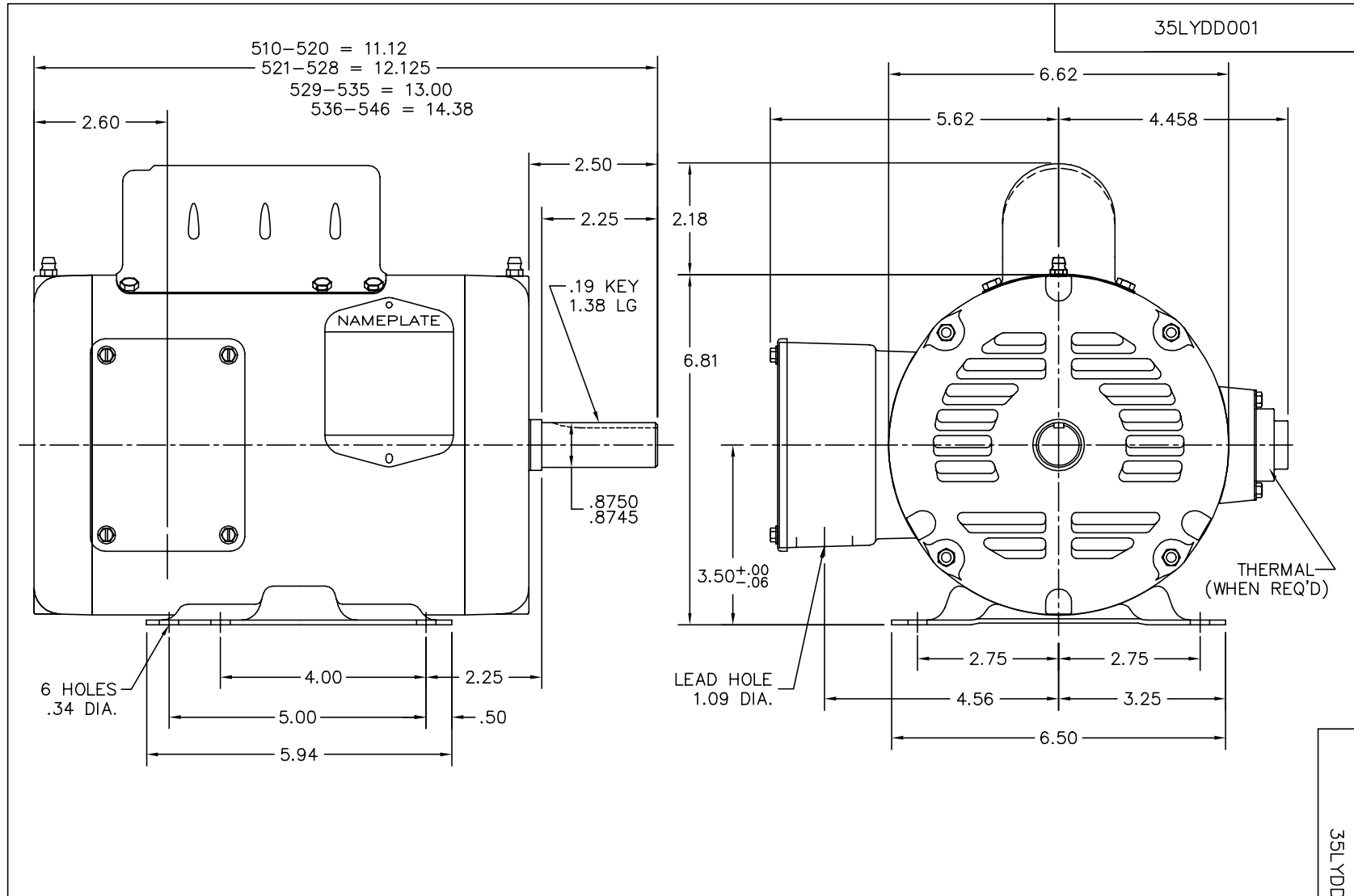
Nameplate Data				230 V, 60 Hz: High Voltage Connection	
Rated Output (HP)	1			Full Load Torque	3 LB-FT
Volts	115/230			Start Configuration	direct on line
Full Load Amps	12.4/6.2			Breakdown Torque	7 LB-FT
R.P.M.	1725			Pull-up Torque	3 LB-FT
Hz	60	Phase	1	Locked-rotor Torque	7.9 LB-FT
NEMA Design Code	L	KVA Code	K	Starting Current	39 A
Service Factor (S.F.)	1.15			No-load Current	3.8 A
NEMA Nom. Eff.	67	Power Factor	68	Line-line Res. @ 25°C	2.73 Ω A Ph 1.76 Ω B Ph
Rating - Duty	40C AMB-CONT			Temp. Rise @ Rated Load	42°C
S.F. Amps				Temp. Rise @ S.F. Load	48°C

Load Characteristics 230 V, 60 Hz, 1 HP

% of Rated Load	25	50	75	100	125	150	S.F.
Power Factor	40	57	70	77	83	86	81
Efficiency	51	64.5	67	68.5	66.5	63.5	67.5
Speed	1790	1780	1765	1750	1735	1710	1742
Line amperes	4	4.5	5.2	6.2	7.25	8.7	6.8

Performance Graph at 230V, 60Hz, 1.0HP Typical performance - Not guaranteed values





CUSTOMER IS RESPONSIBLE FOR DETERMINING THAT BALDOR'S PRODUCT WILL PERFORM SUITABLY IN THE INTENDED APPLICATION.

REV. DESC: NEW		
REV. LTR: -	VERSION: 00	TDR: 000000520922
FILE: \AAA\00168\390		REVISED: 10:24:51 12/21/2009
MTL: -		BY: ENALEMO

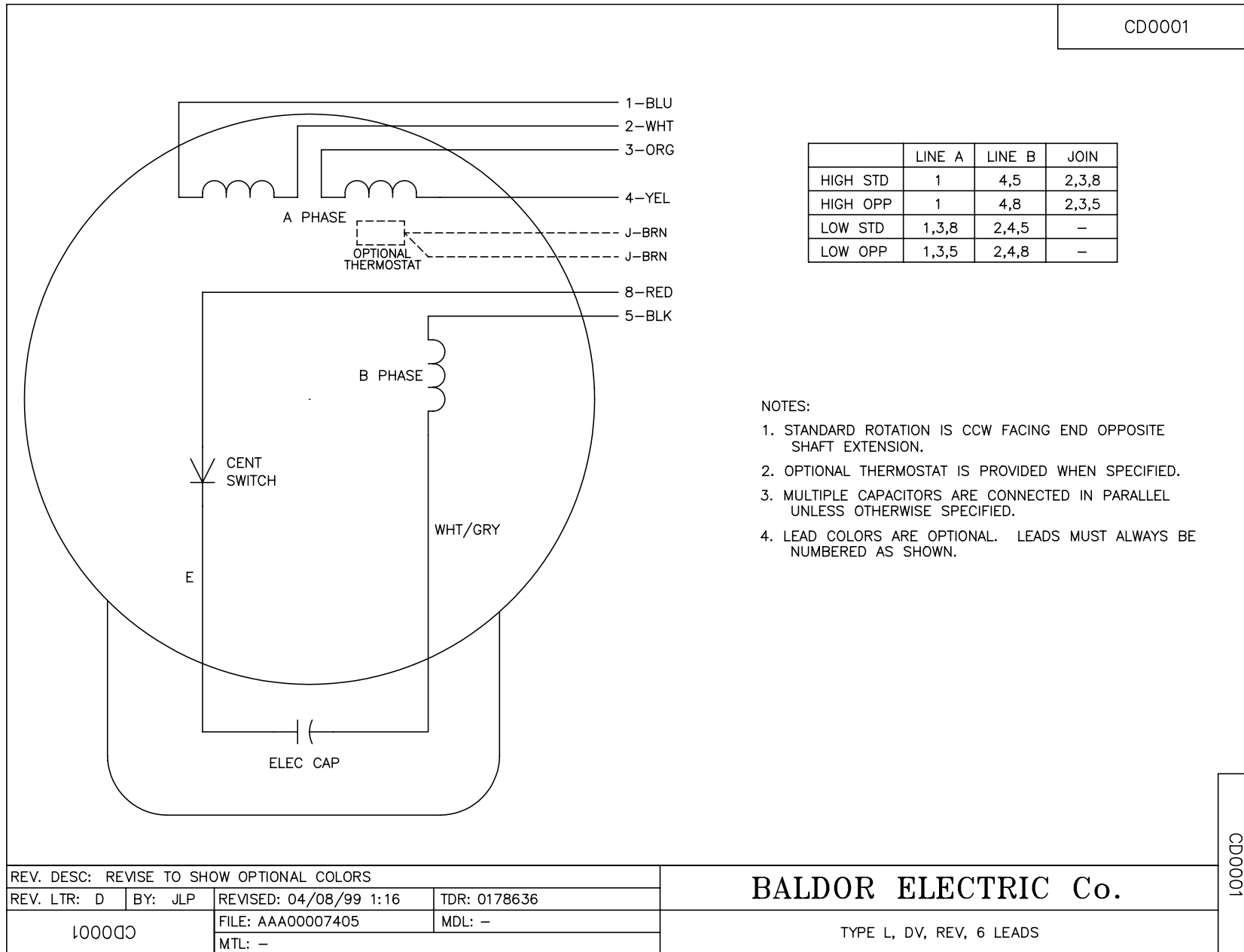
BALDOR • DODGE • RELIANCE

STD HORZ 143-5T OPEN 35L W/1.09 DIA. LEAD HOLE

SH 1 of 1

35LYDD001

CD0001



NOTES:

1. STANDARD ROTATION IS CCW FACING END OPPOSITE SHAFT EXTENSION.
2. OPTIONAL THERMOSTAT IS PROVIDED WHEN SPECIFIED.
3. MULTIPLE CAPACITORS ARE CONNECTED IN PARALLEL UNLESS OTHERWISE SPECIFIED.
4. LEAD COLORS ARE OPTIONAL. LEADS MUST ALWAYS BE NUMBERED AS SHOWN.

CD0001

REV. DESC: REVISE TO SHOW OPTIONAL COLORS			
REV. LTR: D	BY: JLP	REVISED: 04/08/99 1:16	TDR: 0178636
100000		FILE: AAA00007405	MDL: -
		MTL: -	

BALDOR ELECTRIC Co.

TYPE L, DV, REV, 6 LEADS