

BALDOR® • RELIANCE

Product Information Packet

GDL1605T

5HP,1725RPM,1PH,60HZ,184TZ,3646LC,ODTF,F

Part Detail							
Revision:	E	Status:	PRD/A	Change #:		Proprietary:	No
Type:	AC	Prod. Type:	3646LC	Elec. Spec:	36WGW417	CD Diagram:	CD0017A02
Enclosure:	ODTF	Mfg Plant:		Mech. Spec:	36M937	Layout:	36LYM937
Frame:	184TZ	Mounting:	F1	Poles:	04	Created Date:	02-05-2010
Base:	RG	Rotation:	R	Insulation:	F	Eff. Date:	09-10-2015
Leads:	2#10 A PH,2#16 B PH					Replaced By:	
Literature:		Elec. Diagram:					

Nameplate NP1256L							
CAT.NO.	GDL1605T						
SPEC.	36M937W417G1						
HP	5						
VOLTS	230						
AMP	22.5						
RPM	1725						
FRAME	184TZ	HZ	60	PH	1		
SER.F.	1.00	CODE	J	DES	L	CLASS	F
NEMA-NOM-EFF	80	PF	76				
RATING	40C AMB-CONT						
CC		USABLE AT 208V					
DE	6206	ODE	6205				
ENCL	ODTF	SN					

Parts List		
Part Number	Description	Quantity
SA190773	SA 36M937W417G1	1.000 EA
RA178439	RA 36M937W417G1	1.000 EA
36CB3004	36 CB CASTING W/1.09 DIA LEAD HOLE @ 6:0	1.000 EA
51XB1016A08	10-16X 1/2HXWSSLD SERTYB	2.000 EA
11XW1032G06	10-32 X .38, TAPTITE II, HEX WSHR SLTD U	1.000 EA
HW3001B01	BRASS CUP WASHER, FOR #8 SCREW	1.000 EA
36EP3200A09	FR ENDPLATE, MACH	1.000 EA
SP1008A01	BAFFLE, MODEL 36 & 37	1.000 EA
13XF0832A08	8-32 X.50 PAN HD,SLTD, TYPE F SCREW, ZIN	2.000 EA
10XN2520A12	O1/4-20X 3/4 HEX HEAD CAP	2.000 EA
HW5100A05	WVY WSHR F/205 & 304 BRGS	1.000 EA
36EP1401A04	ENDPLATE, MACH	1.000 EA
36AD2000	AIR BAFFLE	1.000 EA
60XW0632A06	6-32 X 3/8 TORX HEAD SCREW TAPTITE II	4.000 EA
HA1102A07	RODENT SCREEN 36 OPEN FACE	2.000 EA
12XN1032A04	10-32 X 1/4 SLT HEX HD ZINC PLATED	4.000 EA
HW1001A10	WASHER, #10 SPLT LK, ZN X	4.000 EA
HA3101A28	THRUBOLT 1/4-20 X 12.500 OHIO ROD	4.000 EA
10XN2520A24	1/4-20X 1 1/2 HEX HD X	4.000 EA
HW1001A25	LOCKWASHER 1/4, ZINC PLT .493 OD, .255 I	4.000 EA
36FH4012A03	DRIP COVER NO GREASER, W/ AUTOPHERETIC P	1.000 EA
51XW1032A06	10-32 X .38, TAPTITE II, HEX WSHR SLTD S	3.000 EA
36FN3000A01SP	EXFN, PLASTIC, 7.00 OD, .912 ID	1.000 EA
51XB1214A16	12-14X1.00 HXWSSLD SERTYB	1.000 EA

Parts List (continued)		
Part Number	Description	Quantity
36CB4516	36 LIPPED CB LID	1.000 EA
51XW0832A07	8-32 X .44, TAPTITE II, HEX WSHR SLTD SE	4.000 EA
HW2501E16	3KEY, 1/4 SQ X 1.750	1.000 EA
HA7000A01	KEY RETAINER 7/8" DIA SHAFT	1.000 EA
85XU0407S04	4X1/4 U DRIVE PIN STAINLESS	2.000 EA
MJ1000A75	GREASE, POLYREX EM EXXON (USe 4824-15A)	0.050 LB
MG1025Z20	ACTIVATOR WILKOFAS 060.32	0.010 GA
SP5172A05	37 TYPE LC TORQ STAT SW LEAD ASSEMBLY	1.000 EA
36CB5005A03	CAPACITOR BOX KIT, 36CB3800, OC3040F09,	1.000 EA
MG1025G29	MUNSELL 4.5Y 5.3/0.7 DARK CHARCOAL GREY	0.022 GA
LB1119N	WARNING LABEL	1.000 EA
LC0017	CONN LABEL-1 PHASE-SINGLE VOLT-REV ROTNO	1.000 EA
NP1256L	ALUM UL CSA CC	1.000 EA
36PA1001	PKG GRP, PRINT PK1017A06	1.000 EA
MN416A01	TAG-INSTAL-MAINT no wire (1200/bx) 11/14	1.000 EA

AC Induction Motor Performance Data

Record # 10764 - Typical performance - not guaranteed values

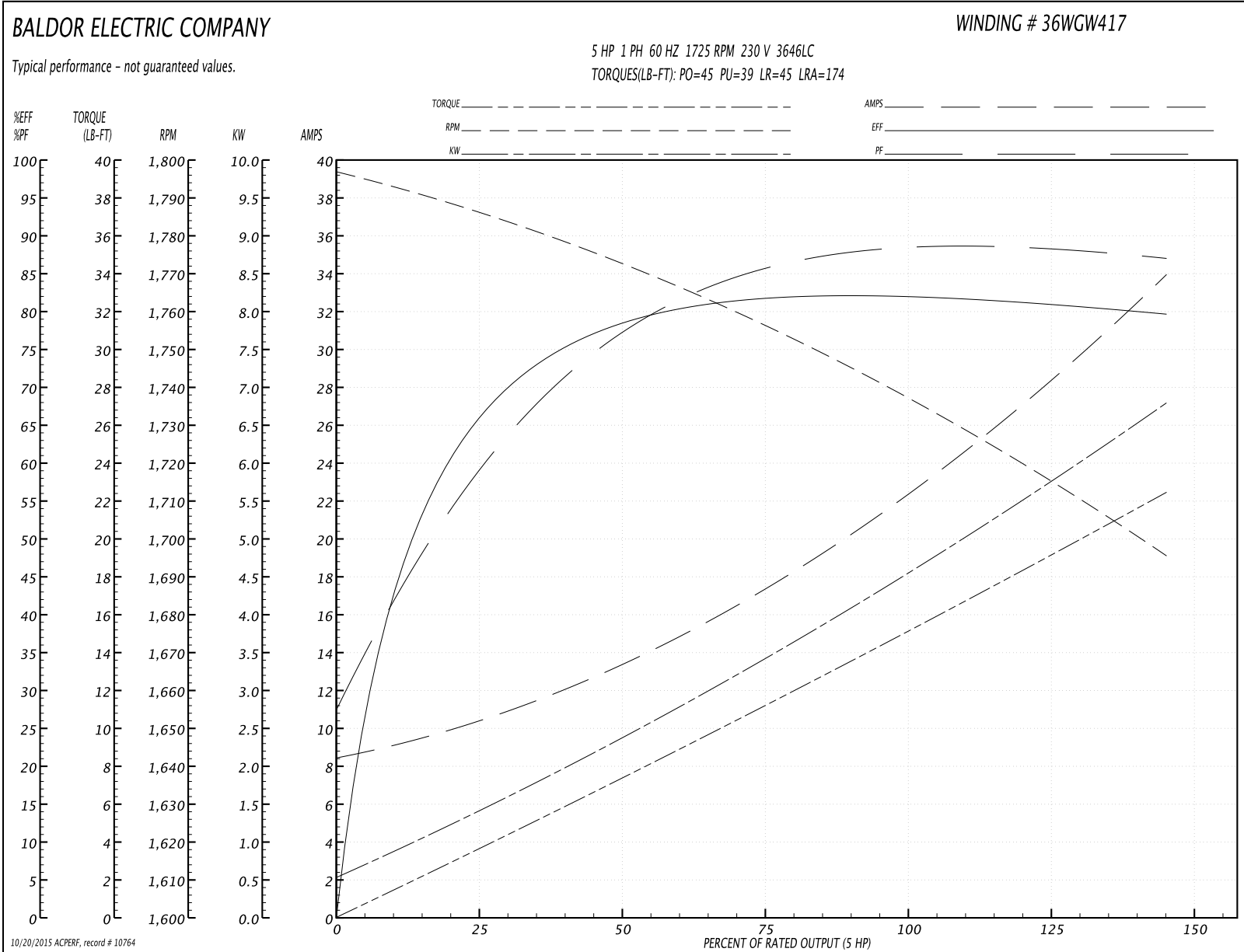
Winding: 36WGW417-R001	Type: 3646LC	Enclosure: TEFC
-------------------------------	---------------------	------------------------

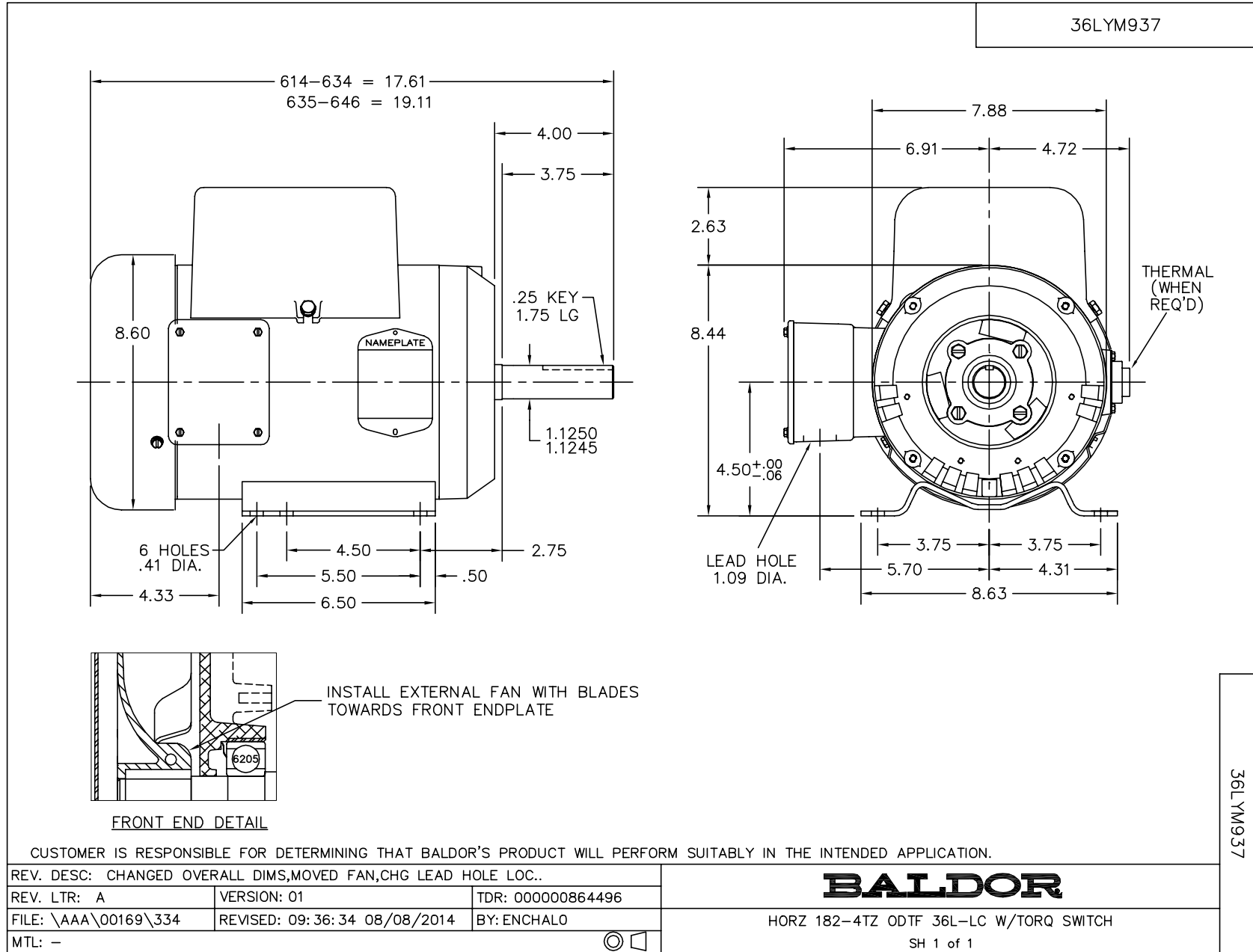
Nameplate Data				230 V, 60 Hz: Single Voltage Motor	
Rated Output (HP)	5			Full Load Torque	15 LB-FT
Volts	230			Start Configuration	direct on line
Full Load Amps	22.5			Breakdown Torque	45 LB-FT
R.P.M.	1725			Pull-up Torque	39 LB-FT
Hz	60	Phase	1	Locked-rotor Torque	45 LB-FT
NEMA Design Code	L	KVA Code	J	Starting Current	174 A
Service Factor (S.F.)	1			No-load Current	8.5 A
NEMA Nom. Eff.	80	Power Factor	76	Line-line Res. @ 25°C	0.349 Ω A Ph 2.38 Ω B Ph
Rating - Duty	40C AMB-CONT			Temp. Rise @ Rated Load	104°C

Load Characteristics 230 V, 60 Hz, 5 HP

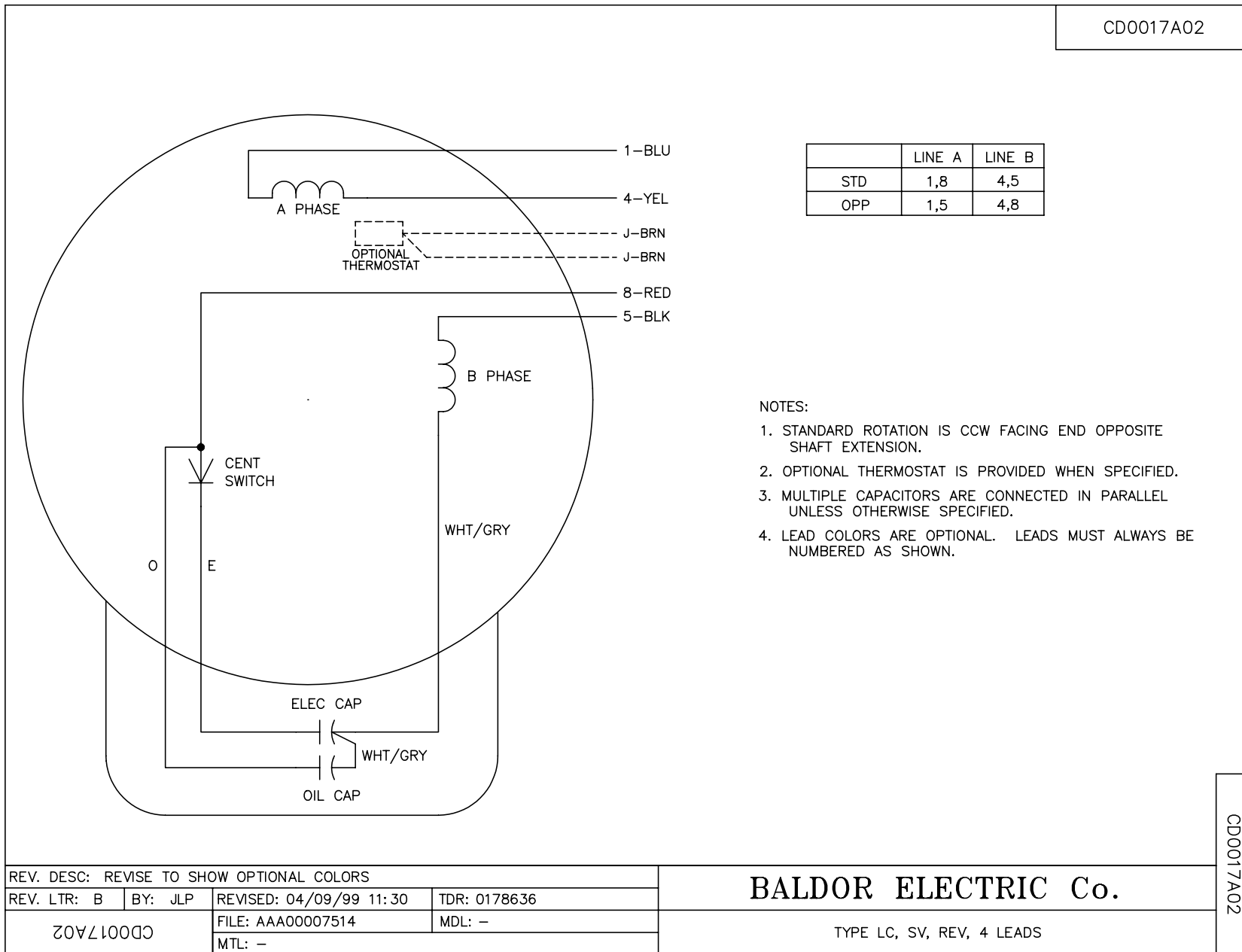
% of Rated Load	25	50	75	100	125	150
Power Factor	60	77	85	88	90	90
Efficiency	65.3	77.8	81.7	82.5	81.5	79.3
Speed	1785	1771	1756	1739	1719	1694
Line amperes	10.3	13.5	17.5	22.2	27.7	34

Performance Graph at 230V, 60Hz, 5.0HP Typical performance - Not guaranteed values





CD0017A02



CD0017A02

REV. DESC: REVISE TO SHOW OPTIONAL COLORS			
REV. LTR: B	BY: JLP	REVISED: 04/09/99 11:30	TDR: 0178636
20VZ1000		FILE: AAA00007514	MDL: -
		MTL: -	

BALDOR ELECTRIC Co.

TYPE LC, SV, REV, 4 LEADS