

# **BALDOR**® • ***RELIANCE***

## **Product Information Packet**

# **FDL3731M**

**5HP,1740RPM,1PH,60HZ,215,3730LC,TEFC,F1**

Part Detail							
Revision:	F	Status:	PRD/A	Change #:		Proprietary:	No
Type:	AC	Prod. Type:	3730LC	Elec. Spec:	37WGT880	CD Diagram:	CD0152
Enclosure:	TEFC	Mfg Plant:		Mech. Spec:	37N373	Layout:	37LYN373
Frame:	215	Mounting:	F1	Poles:	04	Created Date:	12-11-2013
Base:	RG	Rotation:	R	Insulation:	F	Eff. Date:	09-14-2015
Leads:	2#12 A PH,3#14 B&J					Replaced By:	
Literature:		Elec. Diagram:					

<b>Nameplate NP1280L</b>							
CAT.NO.	FDL3731M						
SPEC.	37N373T880G1						
HP	5						
VOLTS	230						
AMP	20.5						
RPM	1740						
FRAME	215	HZ	60	PH	1		
SER.F.	1.00	CODE	J	DES	L	CL	F
NEMA-NOM-EFF	84	PF	93				
RATING	40C AMB-CONT						
CC		USABLE AT 208V					
DE	6307	ODE	6206				
ENCL	TEFC	SN					

Parts List		
Part Number	Description	Quantity
SA274311	SA 37N373T880G1	1.000 EA
RA260898	RA 37N373T880G1	1.000 EA
OC3030F11SP	CYL OIL CAP 30MFD/370V	2.000 EA
TPLED1027SP	THERMAL 1PH 1.5 MAN REF LED989 TDR #5817	1.000 EA
EC1189C06SP	ELEC CAP, 189-227 MFD, 250V, 2.06D X 4.	3.000 EA
37FN3002A01SP	EXFN, PLASTIC, 9.00 OD, 1.155 ID	1.000 EA
HW3200A01	3/8-16X3/4 I-BLT WELDED F/S	1.000 EA
37CB3804A04	CAPAC BOX MACH	1.000 EA
37GS3015	GASKET, CAPAC BOX	1.000 EA
51XW2520A12	.25-20 X .75, TAPTITE II, HEX WSHR SLTD	4.000 EA
37CB4509	CAPAC BOX LID, STAMPED	1.000 EA
37GS3016	GASKET, CAPAC BOX LID	1.000 EA
51XW0832A07	8-32 X .44, TAPTITE II, HEX WSHR SLTD SE	6.000 EA
HA6003A47	CAPAC CLAMP	1.000 EA
HA6003A45	CAPAC CLAMP - CLIP (WHITE ZINC PLATED)	2.000 EA
51XB1016A07	10-16 X 7/16 HXWSSLD SERTYB	4.000 EA
HA2001A09	SPACER, .218 ID X .937 LG	2.000 EA
RM1015	BOOT FOR MANUAL THERMALS	1.000 EA
51XN1032A28	10-32 X 1 3/4 HX WS SL SR	2.000 EA
XY1032A02	10-32 HEX NUT DIRECTIONAL SERRATION	2.000 EA
HW1000A10	#10 FLAT WASHER (SAE)	2.000 EA
11XW1032G06	10-32 X .38, TAPTITE II, HEX WSHR SLTD U	1.000 EA
HW3001B01	BRASS CUP WASHER, FOR #8 SCREW	1.000 EA
37EP3101A04	FR ENDPLATE, MACH	1.000 EA

Parts List (continued)		
Part Number	Description	Quantity
13XF0832A08	8-32 X.50 PAN HD,SLTD, TYPE F SCREW, ZIN	2.000 EA
HW5100A06	W2420-025 WVY WSHR (WB)	1.000 EA
37PE3100A42	37 PUEP ASSEMBLY FOR SEAL	1.000 EA
HW4600B51SP	SEAL 1.375 X 2.125 X 0.313 SINGLE LIP DB	1.000 EA
XY3118A12	5/16-18 HEX NUT DIRECTIONAL SERRATION	4.000 EA
07FH4007A33	IEC FAN CVR W/NOTCH FOR 37CB3804 CAPAC B	1.000 EA
51XW1032A06	10-32 X .38, TAPTITE II, HEX WSHR SLTD S	3.000 EA
51XB1214A20	12-14X1.25 HXWSSLD SERTYB	1.000 EA
HA1005A02SP	SLINGER, OD 2.00, ID 1.14, 206 BRG,	1.000 EA
HW4600B33	V-RING SLINGER 1.375 X 1.890 X 0.350	1.000 EA
HW2501E18	KEY, 1/4 SQ X 2.000	1.000 EA
HA7000A02	KEY RETAINER RING, 1 1/8 DIA, 1 3/8 DIA	1.000 EA
85XU0407S04	4X1/4 U DRIVE PIN STAINLESS	2.000 EA
LB1115N	LABEL,LIFTING DEVICE (ON ROLLS)	1.000 EA
LB1087	LABEL,MANUAL RESET (ROLL LABEL)	1.000 EA
MJ5001A27	32220KN GRAY SEALER *MIN BUY 4 QTS=1GAL	0.001 QT
NS2539	INSULATOR FOR 37 FRAMESWITCH (MH1011A10)	1.000 EA
MJ1000A75	GREASE, POLYREX EM EXXON (USe 4824-15A)	0.050 LB
MG1025C02	RAL6081, LIGHT SUPER TAN, GLOSS 85,	0.028 GA
MG1025Z20	ACTIVATOR WILKOFAS 060.32	0.010 GA
HA3104A17	5/16-18X13.250 T-BLT/OHIO	4.000 EA
TP5059	GENERIC THERMAL KIT	1.000 EA
SP5172A03	37 TYPE L TORQ STAT SWITCH LEAD ASSEMBLY	1.000 EA
LC0002	CONNECTION LABEL	1.000 EA

Product Information Packet: FDL3731M - 5HP,1740RPM,1PH,60HZ,215,3730LC,TEFC,F1

LB1119N	WARNING LABEL	1.000 EA
MN416A01	TAG-INSTAL-MAINT no wire (1200/bx) 11/14	1.000 EA
NP1280L	ALUM FARM DUTY UL CSA CC THERMAL	1.000 EA
G0PA1000	PKG GRP, PRINT PK1026A06	1.000 EA

<b>Accessories</b>		
<b>Part Number</b>	<b>Description</b>	<b>Multiplier</b>
37-3301	C FACE KIT	P1

**AC Induction Motor Performance Data**

Record # 18817 - Typical performance - not guaranteed values

<b>Winding:</b> 37WGT880-R001	<b>Type:</b> 3730LC	<b>Enclosure:</b> TEFC
-------------------------------	---------------------	------------------------

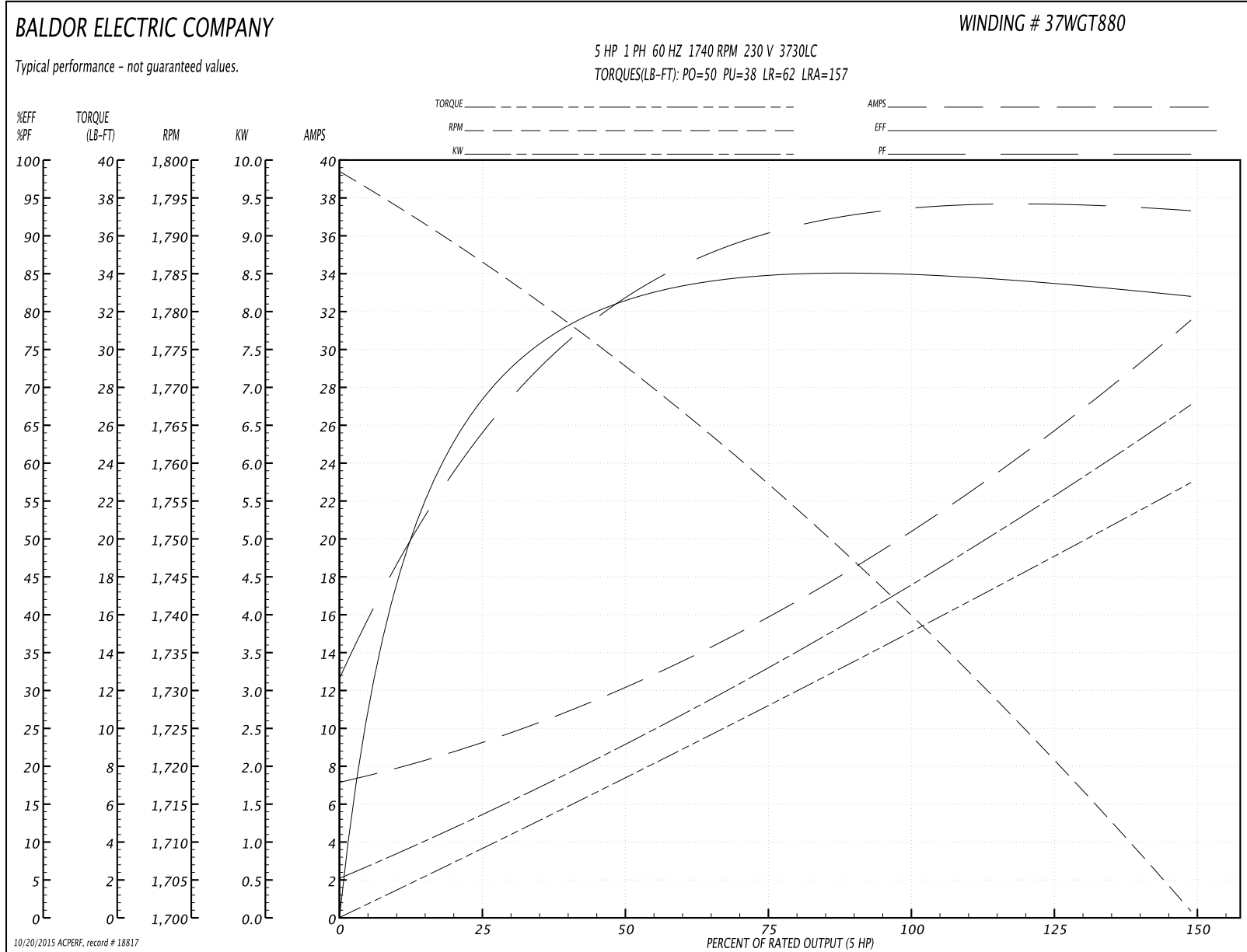
Nameplate Data				230 V, 60 Hz: Single Voltage Motor	
Rated Output (HP)	5			Full Load Torque	15.1 LB-FT
Volts	230			Start Configuration	direct on line
Full Load Amps	20.5			Breakdown Torque	50 LB-FT
R.P.M.	1740			Pull-up Torque	38 LB-FT
Hz	60	Phase	1	Locked-rotor Torque	62 LB-FT
NEMA Design Code	L	KVA Code	J	Starting Current	157 A
Service Factor (S.F.)	1			No-load Current	7.48 A
NEMA Nom. Eff.	84	Power Factor	93	Line-line Res. @ 25°C	0.308 Ω A Ph 0.966 Ω B Ph
Rating - Duty	40C AMB-CONT			Temp. Rise @ Rated Load	65°C

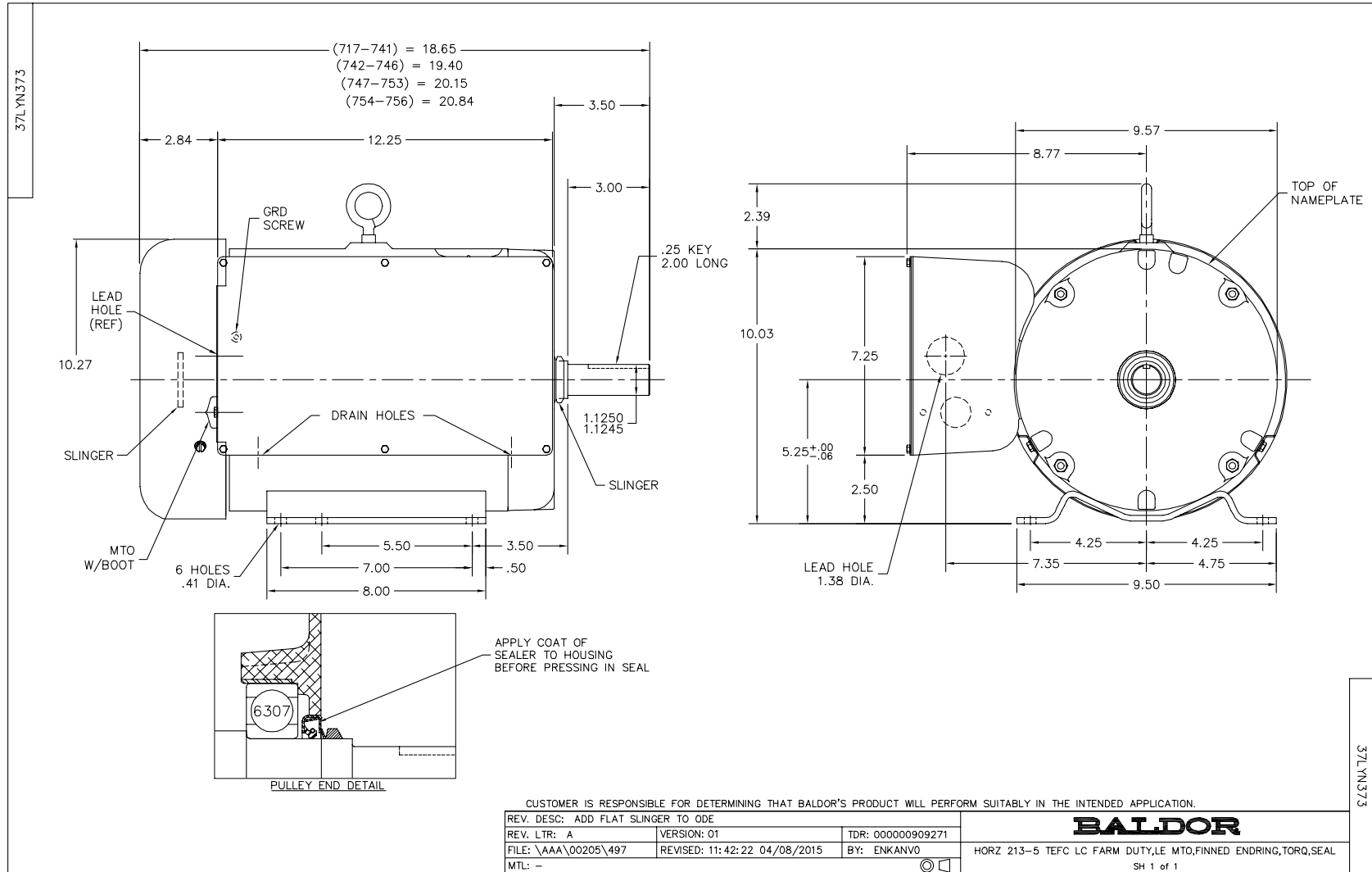
Load Characteristics 230 V, 60 Hz, 5 HP

% of Rated Load	25	50	75	100	125	150
Power Factor	67	84	89	92	94	94
Efficiency	67.8	81.2	84.8	84.9	83.9	82
Speed	1786	1773	1757	1740	1722	1700
Line amperes	8.77	12	15.9	20.7	25.8	31.4

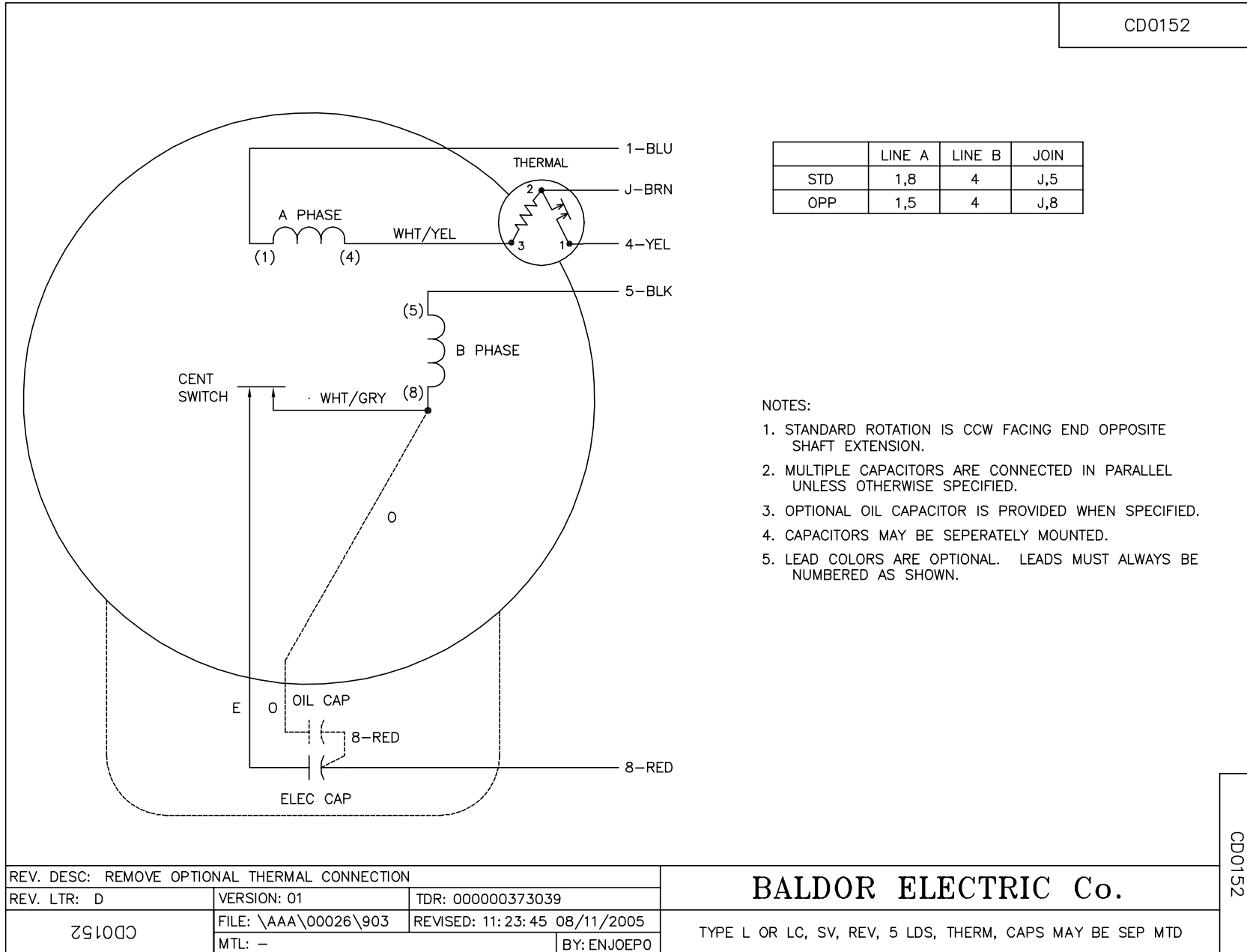


Performance Graph at 230V, 60Hz, 5.0HP Typical performance - Not guaranteed values





CD0152



CD0152

REV. DESC: REMOVE OPTIONAL THERMAL CONNECTION		
REV. LTR: D	VERSION: 01	TDR: 000000373039
ZS1000	FILE: \AAA\00026\903	REVISED: 11:23:45 08/11/2005
	MTL: -	BY: ENJOEPO

**BALDOR ELECTRIC Co.**

TYPE L OR LC, SV, REV, 5 LDS, THERM, CAPS MAY BE SEP MTD