

BALDOR® • **RELIANCE**

Product Information Packet

EM4115T-8

50HP,1775RPM,3PH,60HZ,326T,1266M,TEFC,F1

Part Detail							
Revision:	X	Status:	PRD/A	Change #:		Proprietary:	No
Type:	AC	Prod. Type:	1266M	Elec. Spec:	12WGX281	CD Diagram:	CD0695
Enclosure:	TEFC	Mfg Plant:		Mech. Spec:	12H13	Layout:	12LYH013
Frame:	326T	Mounting:	F1	Poles:	04	Created Date:	
Base:	RG	Rotation:	R	Insulation:	F	Eff. Date:	10-16-2015
Leads:	6#6					Replaced By:	
Literature:		Elec. Diagram:					

Nameplate NP3443L							
CAT.NO.	EM4115T-8	P/N		ENCLOSURE	TEFC		
SPEC.	12H013X281G1	CC	010A	FRAME	326T	S/N	
HP	50	CLASS	F	HZ	60		
RPM	1775	PH	3	DES	B		
VOLT	200	KVA-CODE	H	ODE BRG	6311	DE BRG	6312
AMP	131	USABLE AT 208V	129				
RATING	40C AMB-CONT	NEMA-NOM-EFF	94.5	GREASE	POLYREX EM		
PF	87	SER.F.	1.15				
HTR-VOLTS		HTR-AMPS		MAX. SPACE HEATER TEMP.			

Parts List		
Part Number	Description	Quantity
SA064038	SA 12H013X281G1	1.000 EA
RA058212	RA 12H013X281G1	1.000 EA
S/P107-000-004	SUPER-E(284 FR. & UP)-CL PLANT,POLYREX E	1.000 EA
10CB3001	CONDUIT BOX CAST W/2.500 LEAD HOLE	1.000 EA
10XN3118K12	5/16-18 X .75 GRADE 5, ZINC PLATED	4.000 EA
HW1001A31	LOCKWASHER 5/16, ZINC PLT.591 OD, .319 I	4.000 EA
WD1000B16	T&B CX70TN TERMINAL	1.000 EA
51XF2520A08	SCREW, HEX SER SLT HD, ZN 1/4-20 X .50 L	1.000 EA
12EP1107A05	FR ENDPLATE, MACH 324-6T	1.000 EA
HA4051A00	PLASTIC CAP FOR GREASE FITTING	1.000 EA
HA3400A13SP	STUD, 1/2-13 X 7" WELKER	4.000 EA
HW1001A50	LOCKWASHER 1/2, ZINC PLT.,.879 OD, .509 I	4.000 EA
HW4600B41	V-RING SLINGER 2.125 X 2.880 X 0.280	1.000 EA
12FH1002SP	FAN COVER, CAST QF,WAUPACA QUALITY	1.000 EA
HW5100A13	W4627-047 WVY WSHER	1.000 EA
12EP1106A01	PU ENDPLATE, MACH 324-6T	1.000 EA
HA4051A00	PLASTIC CAP FOR GREASE FITTING	1.000 EA
10XN3118K36	5/16-18 X 2.25" HEX HD, GRADE 5	2.000 EA
HW1001A31	LOCKWASHER 5/16, ZINC PLT.591 OD, .319 I	2.000 EA
10XN3118K40	5/16-18 X 2.50" HEX HD, GRADE 5	4.000 EA
HW1001A31	LOCKWASHER 5/16, ZINC PLT.591 OD, .319 I	4.000 EA
10XN5013K28	1/2-13 X 1.75 HEX HEAD MACH SCREW,GRAD	4.000 EA
HW1001A50	LOCKWASHER 1/2, ZINC PLT.,.879 OD, .509 I	4.000 EA
XY5013A12	NUT,1/2-13,HEX,STEEL,ZINCPLATED	4.000 EA

Parts List (continued)		
Part Number	Description	Quantity
HW1001A50	LOCKWASHER 1/2, ZINC PLT.,.879 OD, .509 I	4.000 EA
10CB3500	CONDUIT BOX LID, CAST	1.000 EA
51XW2520A12	.25-20 X .75, TAPTITE II, HEX WSHR SLTD	4.000 EA
HW2501H33	KEY, 1/2 SQ X 3.875	1.000 EA
LB1115N	LABEL,LIFTING DEVICE (ON ROLLS)	1.000 EA
12GS1000SP	GASKET	1.000 EA
HW4500A21	1618BALEMITE FITTING 825 UNIVERSAL	1.000 EA
HA4017A01	1/8 X 4 GREASE EXT (F/S)	1.000 EA
HW4500A17	317400 ALEMITE GREASE RELIEF	1.000 EA
HA4054	SHORT T-DRAIN FITTING, .125" N.P.T.	1.000 EA
MJ1000A75	GREASE, POLYREX EM EXXON (USe 4824-15A)	0.200 LB
HW4500A03	GREASE FITTING, .125 NPT 1610(ALEMITE) 8	1.000 EA
HW4500A17	317400 ALEMITE GREASE RELIEF	1.000 EA
HA4054	SHORT T-DRAIN FITTING, .125" N.P.T.	1.000 EA
10GS1000	GASKET, CONDUIT BOX LID	1.000 EA
MG1000Y03	MUNSELL 2.53Y 6.70/ 4.60, GLOSS 20,	0.080 GA
85XU0407S04	4X1/4 U DRIVE PIN STAINLESS	4.000 EA
MN416A01	TAG-INSTAL-MAINT no wire (1200/bx) 11/14	1.000 EA
09FN3001B03	EXTERNAL FAN, PLASTIC	1.000 EA
HW2500A25	WOODRUFF KEY USA #1008 #BLOW CARBON STEE	1.000 EA
51XB1214A20	12-14X1.25 HXWSSLD SERTYB	1.000 EA
LB1119N	WARNING LABEL	1.000 EA
LC0695	CONNECTION LABEL	1.000 EA
NP3443L	SS SUPER-E UL CSA-EEV PREM CC	1.000 EA

12PA1000	PACKAGING GROUP PRINT PK1024A06	1.000 EA
----------	---------------------------------	----------

Accessories		
Part Number	Description	Multiplier
12-1105	C FACE KIT	A8
12EP1501A03SP	D-FLANGE KIT	A8

AC Induction Motor Performance Data
Record # 3432 - Typical performance - not guaranteed values

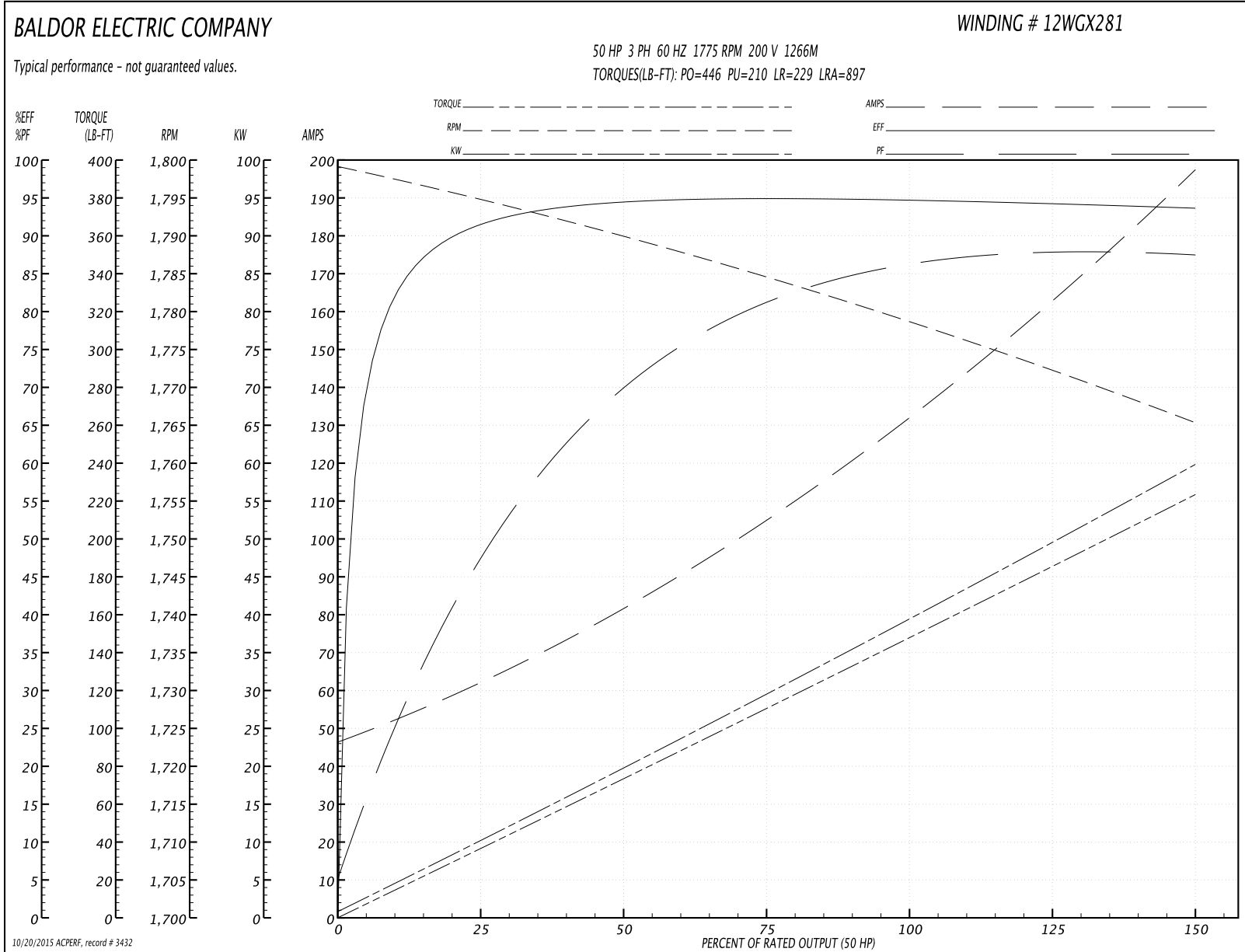
Winding: 12WGX281-R001	Type: 1266M	Enclosure: TEFC
-------------------------------	--------------------	------------------------

Nameplate Data				200 V, 60 Hz: Single Voltage Motor	
Rated Output (HP)	50			Full Load Torque	149 LB-FT
Volts	200			Start Configuration	direct on line
Full Load Amps	131			Breakdown Torque	446 LB-FT
R.P.M.	1775			Pull-up Torque	210 LB-FT
Hz	60	Phase	3	Locked-rotor Torque	229 LB-FT
NEMA Design Code	B	KVA Code	H	Starting Current	897 A
Service Factor (S.F.)	1.15			No-load Current	46.6 A
NEMA Nom. Eff.	94.5	Power Factor	87	Line-line Res. @ 25°C	0.0211 Ω
Rating - Duty	40C AMB-CONT			Temp. Rise @ Rated Load	64°C
S.F. Amps				Temp. Rise @ S.F. Load	77°C
				Rotor inertia	8.79 LB-FT ²

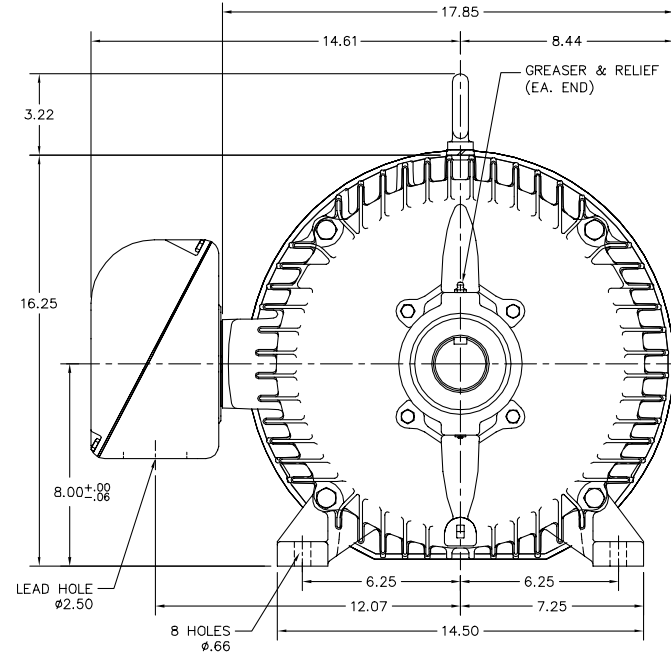
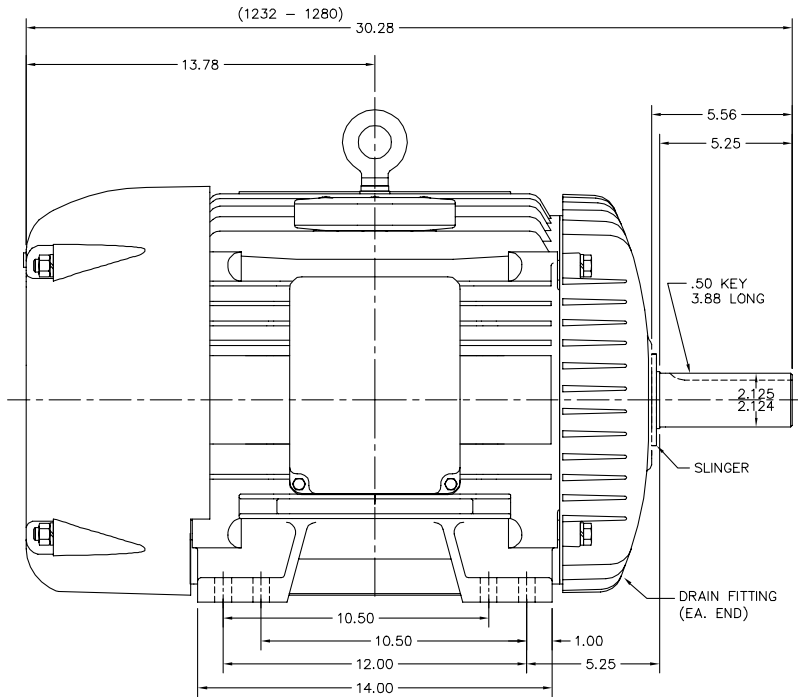
Load Characteristics 200 V, 60 Hz, 50 HP

% of Rated Load	25	50	75	100	125	150	S.F.
Power Factor	48	71	81	88	87	88	87
Efficiency	91.5	94.4	94.9	94.7	94.3	93.6	94.5
Speed	1795	1790	1784	1778	1773	1765	1775
Line amperes	62	82	107	131	165	197	151.4

Performance Graph at 200V, 60Hz, 50.0HP Typical performance - Not guaranteed values



12LYH013



12LYH013

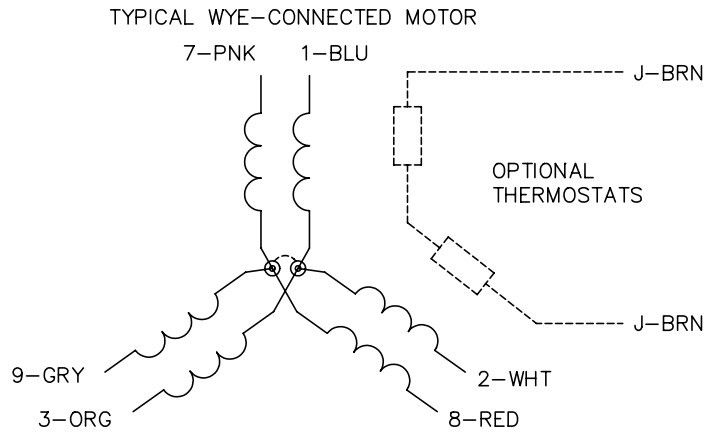
CUSTOMER IS RESPONSIBLE FOR DETERMINING THAT BALDOR'S PRODUCT WILL PERFORM SUITABLY IN THE INTENDED APPLICATION.

REV. DESC: CHG 12SF1109A18 TO 12SF1109A01 AND CHG DRAINS	VERSION: 04	TDR: 000000850392
REV. LTR: H	REVISED: 04:08:55 04/28/2014	BY: ENBRISO
FILE: \AAA\00011\066		
MTL: -		

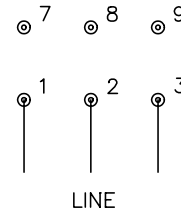
BALDOR

HORZ TEFC 324-6T; HI-EFF
SH 1 of 1

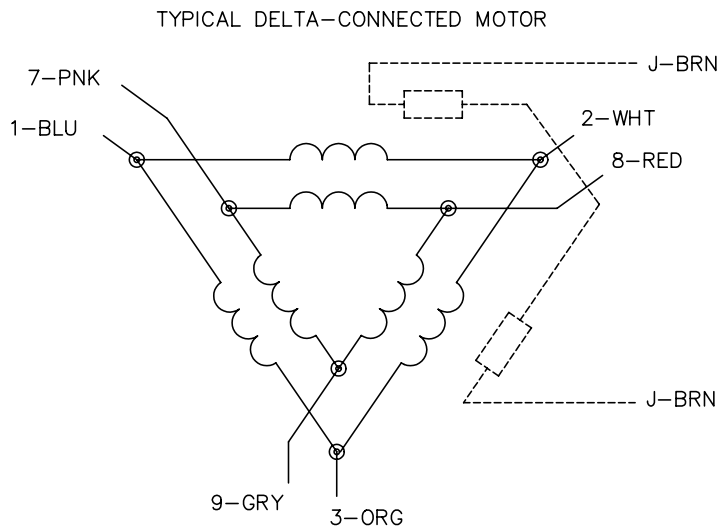
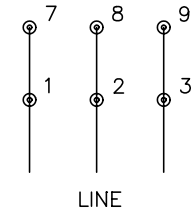
CD0695



START CONNECTION



RUN CONNECTION



NOTES:

1. MOTOR MAY BE WYE CONNECTED OR DELTA CONNECTED.
2. INTERCHANGE ANY TWO LINE LEADS TO REVERSE ROTATION.
3. OPTIONAL THERMOSTATS ARE PROVIDED WHEN SPECIFIED.
4. ACTUAL NUMBER OF INTERNAL PARALLEL CIRCUITS MAY VARY.
5. LEAD COLORS ARE OPTIONAL. LEADS MUST ALWAYS BE NUMBERED AS SHOWN.

REV. DESC: REVISE TO SHOW OPTIONAL COLORS

REV. LTR: C

BY: JLP

REVISED: 01/21/99 3:19

TDR: 0171435

9690D0

FILE: AAA00005151

MDL: -

MTL: -

BALDOR ELECTRIC Co.

3PH, SV, 6 LEADS, PART WINDING START

CD0695