

BALDOR® • ***RELIANCE***

Product Information Packet

EM4108T-5

30HP,3520RPM,3PH,60HZ,286TS,0948M,TEFC,F

| Part Detail | | | | | | | |
|-------------|-------|----------------|-------|-------------|----------|---------------|------------|
| Revision: | G | Status: | PRD/A | Change #: | | Proprietary: | No |
| Type: | AC | Prod. Type: | 0948M | Elec. Spec: | 09WGZ593 | CD Diagram: | CD0006 |
| Enclosure: | TEFC | Mfg Plant: | | Mech. Spec: | 09F629 | Layout: | 09LYF629 |
| Frame: | 286TS | Mounting: | F1 | Poles: | 02 | Created Date: | 04-27-2010 |
| Base: | RG | Rotation: | R | Insulation: | F | Eff. Date: | 10-16-2015 |
| Leads: | 3#10 | | | | | Replaced By: | |
| Literature: | | Elec. Diagram: | | | | | |

| Nameplate NP3443L | | | | | | | |
|-------------------|--------------|----------------|------|-------------------------|------------|--------|------|
| CAT.NO. | EM4108T-5 | P/N | | ENCLOSURE | TEFC | | |
| SPEC. | 09F629Z593G1 | CC | 010A | FRAME | 286TS | S/N | |
| HP | 30 | CLASS | F | HZ | 60 | | |
| RPM | 3520 | PH | 3 | DES | A | | |
| VOLT | 575 | KVA-CODE | H | ODE BRG | 6208 | DE BRG | 6311 |
| AMP | 26.5 | USABLE AT 208V | | | | | |
| RATING | 40C AMB-CONT | NEMA-NOM-EFF | 91.7 | GREASE | POLYREX EM | | |
| PF | 91 | SER.F. | 1.15 | | | | |
| HTR-VOLTS | | HTR-AMPS | | MAX. SPACE HEATER TEMP. | | | |

| Parts List | | |
|----------------|--|----------|
| Part Number | Description | Quantity |
| SA194170 | SA 09F629Z593G1 | 1.000 EA |
| RA181760 | RA 09F629Z593G1 | 1.000 EA |
| 37FN3002C02 | EXFN, PLASTIC, 6.00 OD, 1.500 ID | 1.000 EA |
| S/P107-000-006 | SUPER-E(284 FR. & UP)-ZK PLANT,POLYREX E | 1.000 EA |
| HW1002A63 | WASHER, 5/8 HI-COLLAR SPRLCKWASHER | 1.000 EA |
| 10CB3000SP | STD KO BOX MODEL 310,312,314 MTRS W/2.00 | 1.000 EA |
| 12GS1000SP | GASKET | 1.000 EA |
| 10XN3118K12 | 5/16-18 X .75 GRADE 5, ZINC PLATED | 4.000 EA |
| HW1001A31 | LOCKWASHER 5/16, ZINC PLT.591 OD, .319 I | 4.000 EA |
| WD1000B17 | T&B CX35TN TERMINAL | 1.000 EA |
| 51XF2520A08 | SCREW, HEX SER SLT HD, ZN 1/4-20 X .50 L | 1.000 EA |
| 09EP1100A14SP | ENDPLATE, MACH | 1.000 EA |
| XY3816A12 | 3/8-16 FINISHED NUT | 4.000 EA |
| HW1001A38 | LOCKWASHER 3/8, ZINC PLT .688 OD, .382 I | 4.000 EA |
| HW5100A08 | W3118-035 WVY WSHR (WB) | 1.000 EA |
| 10XN2520K28 | 1/4-20 X 1.75" HX HD SCRWGRADE 5, ZINC P | 2.000 EA |
| HW1001A25 | LOCKWASHER 1/4, ZINC PLT .493 OD, .255 I | 2.000 EA |
| 10XN3118K40 | 5/16-18 X 2.50" HEX HD, GRADE 5 | 4.000 EA |
| HW1001A31 | LOCKWASHER 5/16, ZINC PLT.591 OD, .319 I | 4.000 EA |
| 09EP1116A01 | PU ENDPLATE, MACH | 1.000 EA |
| HA3113A15 | THRUBOLT 3/8-16 X 18.875 W/3.50 THD LENG | 4.000 EA |
| 09FH4000SP | FAN COVER, STAMPED | 1.000 EA |
| HA2081A05 | SPACER TUBE, 309 FAN HSG, 2.00 LONG | 4.000 EA |
| XY3816A12 | 3/8-16 FINISHED NUT | 4.000 EA |

| Parts List (continued) | | |
|-------------------------------|--|-----------------|
| Part Number | Description | Quantity |
| HW1001A38 | LOCKWASHER 3/8, ZINC PLT .688 OD, .382 I | 4.000 EA |
| 10CB3500 | CONDUIT BOX LID, CAST | 1.000 EA |
| 10GS1000 | GASKET, CONDUIT BOX LID | 1.000 EA |
| 51XW2520A12 | .25-20 X .75, TAPTITE II, HEX WSHR SLTD | 4.000 EA |
| HW4600B40 | V-RING SLINGER 2.000 X 2.680 X 0.280 | 1.000 EA |
| HW2501G17 | KEY, 3/8 SQ X 1.875 | 1.000 EA |
| LB1115N | LABEL,LIFTING DEVICE (ON ROLLS) | 1.000 EA |
| MN416A01 | TAG-INSTAL-MAINT no wire (1200/bx) 11/14 | 1.000 EA |
| HW4500A05 | 1669B ALEM/UNIV860 GR FTG X | 1.000 EA |
| HW4500A17 | 317400 ALEMITE GREASE RELIEF | 1.000 EA |
| HA4054 | SHORT T-DRAIN FITTING, .125" N.P.T. | 1.000 EA |
| HA4051A00 | PLASTIC CAP FOR GREASE FITTING | 1.000 EA |
| MJ1000A75 | GREASE, POLYREX EM EXXON (USe 4824-15A) | 0.080 LB |
| HW4500A03 | GREASE FITTING, .125 NPT 1610(ALEMITE) 8 | 1.000 EA |
| HW4500A17 | 317400 ALEMITE GREASE RELIEF | 1.000 EA |
| HA4054 | SHORT T-DRAIN FITTING, .125" N.P.T. | 1.000 EA |
| HA4051A00 | PLASTIC CAP FOR GREASE FITTING | 1.000 EA |
| 51XB1214A20 | 12-14X1.25 HXWSSLD SERTYB | 1.000 EA |
| HW2500A25 | WOODRUFF KEY USA #1008 #BLOW CARBON STEE | 1.000 EA |
| MG1000Y03 | MUNSELL 2.53Y 6.70/ 4.60, GLOSS 20, | 0.050 GA |
| 85XU0407S04 | 4X1/4 U DRIVE PIN STAINLESS | 4.000 EA |
| LB1119N | WARNING LABEL | 1.000 EA |
| LC0006 | CONNECTION LABEL | 1.000 EA |
| NP3443L | SS SUPER-E UL CSA-EEV PREM CC | 1.000 EA |

| | | |
|----------|-------------------------|----------|
| 40PA1005 | PACKAGING GROUP, 09 STD | 1.000 EA |
|----------|-------------------------|----------|

| Accessories | | |
|--------------------|--------------------|-------------------|
| Part Number | Description | Multiplier |
| 09-1310 | C FACE KIT | A8 |

AC Induction Motor Performance Data

Record # 31026 - Typical performance - not guaranteed values

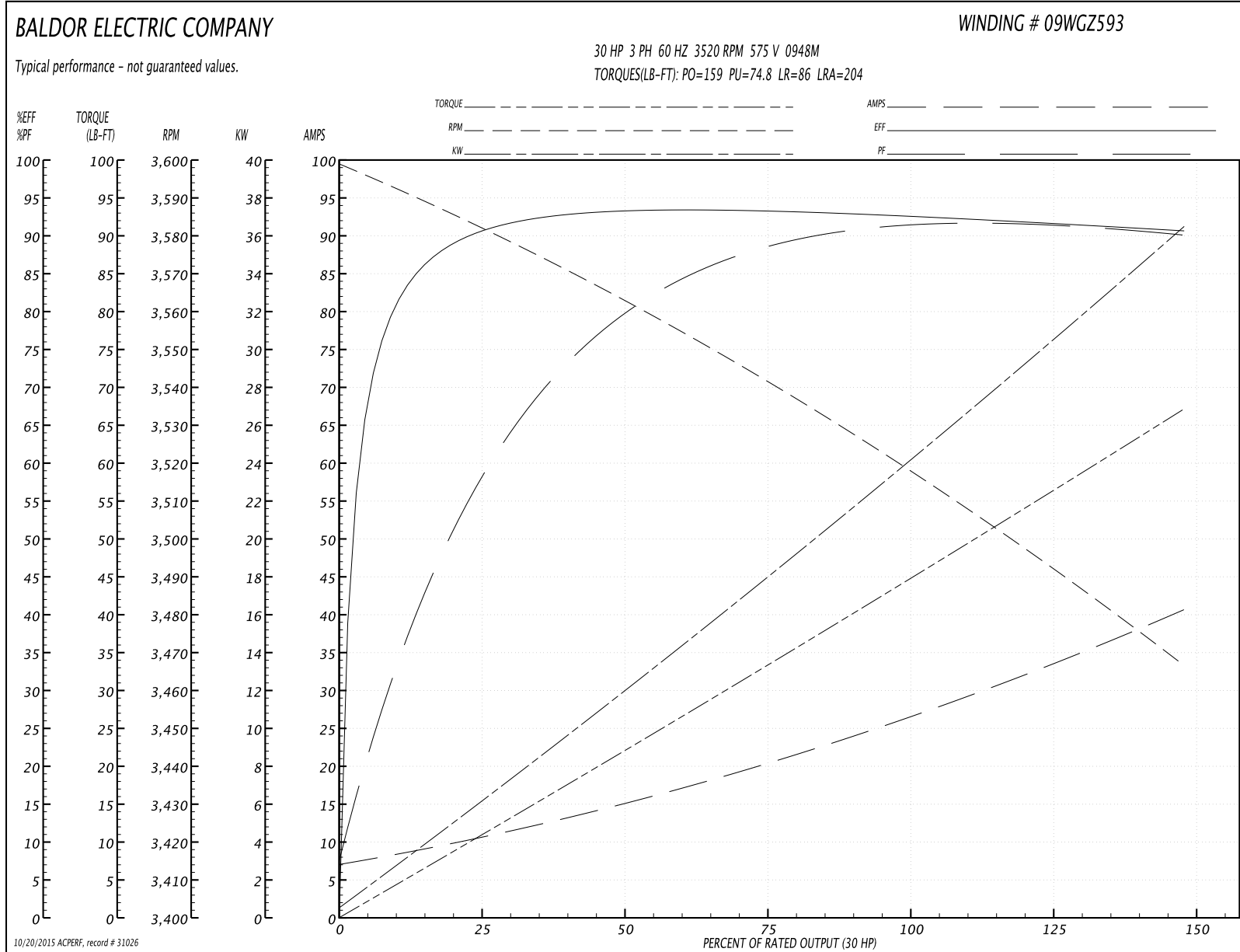
| | | |
|-------------------------------|--------------------|------------------------|
| Winding: 09WGZ593-R001 | Type: 0948M | Enclosure: TEFC |
|-------------------------------|--------------------|------------------------|

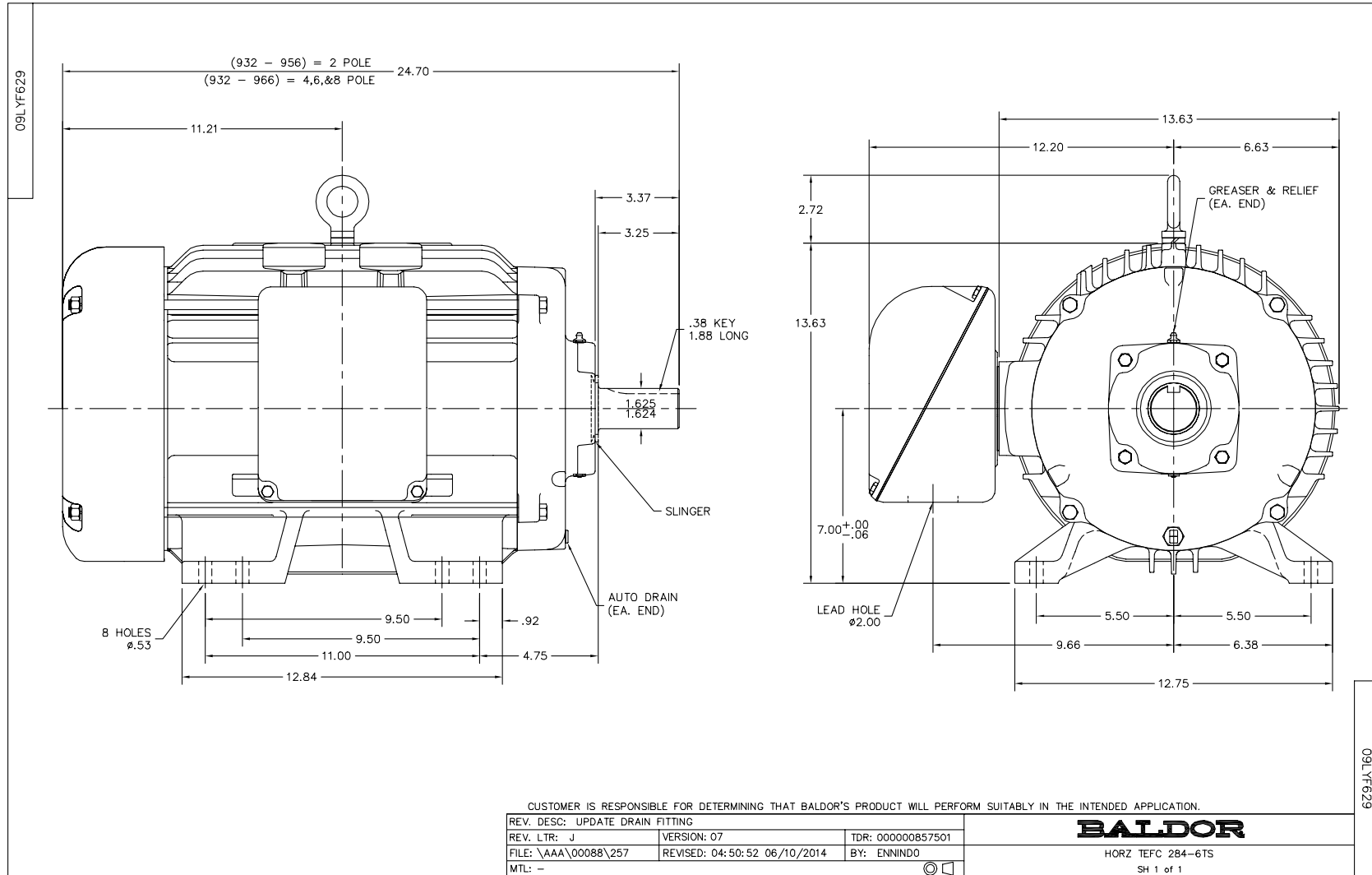
| Nameplate Data | | | | 575 V, 60 Hz: Single Voltage Motor | |
|-----------------------|--------------|--------------|----|---------------------------------------|-------------------------|
| Rated Output (HP) | 30 | | | Full Load Torque | 44.7 LB-FT |
| Volts | 575 | | | Start Configuration | direct on line |
| Full Load Amps | 26.5 | | | Breakdown Torque | 159 LB-FT |
| R.P.M. | 3520 | | | Pull-up Torque | 74.8 LB-FT |
| Hz | 60 | Phase | 3 | Locked-rotor Torque | 86 LB-FT |
| NEMA Design Code | A | KVA Code | H | Starting Current | 204 A |
| Service Factor (S.F.) | 1.15 | | | No-load Current | 7.32 A |
| NEMA Nom. Eff. | 91.7 | Power Factor | 91 | Line-line Res. @ 25°C | 0.424 Ω |
| Rating - Duty | 40C AMB-CONT | | | Temp. Rise @ Rated Load | 80°C |
| S.F. Amps | | | | Temp. Rise @ S.F. Load | 99°C |
| | | | | Rotor inertia | 1.23 LB-FT ² |

Load Characteristics 575 V, 60 Hz, 30 HP

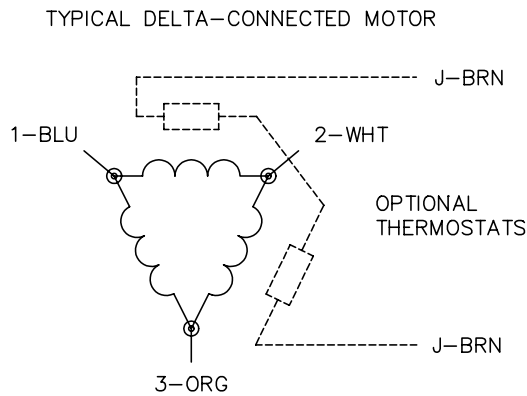
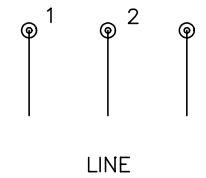
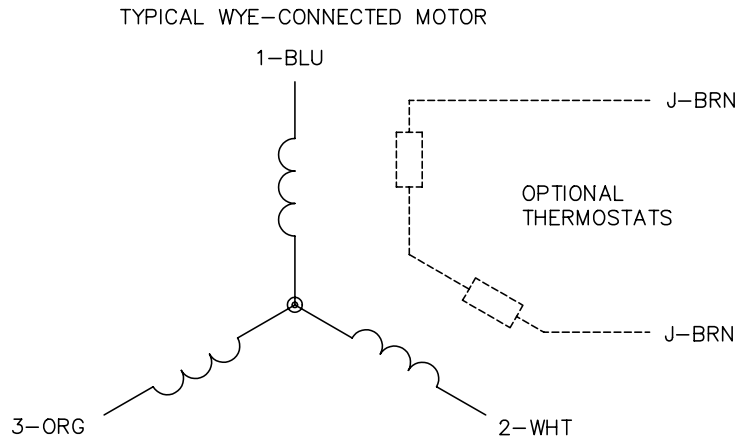
| % of Rated Load | 25 | 50 | 75 | 100 | 125 | 150 | S.F. |
|-----------------|------|------|------|------|------|------|------|
| Power Factor | 62 | 81 | 88 | 91 | 91 | 91 | 91 |
| Efficiency | 90.3 | 93.1 | 93.1 | 92.7 | 91.9 | 90.5 | 92.2 |
| Speed | 3582 | 3562 | 3541 | 3518 | 3494 | 3466 | 3504 |
| Line amperes | 10.3 | 15.1 | 20.7 | 26.5 | 33.5 | 40.5 | 30.7 |

Performance Graph at 575V, 60Hz, 30.0HP Typical performance - Not guaranteed values





CD0006



NOTES:

1. THREE LEAD MOTOR MAY BE EITHER WYE CONNECTED OR DELTA CONNECTED.
2. INTERCHANGE ANY TWO LINE LEADS TO REVERSE ROTATION.
3. OPTIONAL THERMOSTATS ARE PROVIDED WHEN SPECIFIED.
4. ACTUAL NUMBER OF INTERNAL PARALLEL CIRCUITS MAY VARY.
5. LEAD COLORS ARE OPTIONAL. LEADS MUST BE NUMBERED AS SHOWN.

| | | | |
|---|---------|------------------------|--------------|
| REV. DESC: REVISE TO SHOW OPTIONAL COLORS | | | |
| REV. LTR: D | BY: JLP | REVISED: 01/21/99 4:02 | TDR: 0171435 |
| 9000D | | FILE: AAA00005141 | MDL: - |
| | | MTL: - | |

BALDOR ELECTRIC Co.

3PH, SV, 3 LEADS, WYE OR DELTA CONNECTED

CD0006