

# **BALDOR**® • *RELIANCE*

## **Product Information Packet**

# **EM4107T-5**

**25HP,3520RPM,3PH,60HZ,284TS,0950M,TEFC,F**

Part Detail							
Revision:	G	Status:	PRD/A	Change #:		Proprietary:	No
Type:	AC	Prod. Type:	0950M	Elec. Spec:	09WGZ677	CD Diagram:	CD0006
Enclosure:	TEFC	Mfg Plant:		Mech. Spec:	09F629	Layout:	09LYF629
Frame:	284TS	Mounting:	F1	Poles:	02	Created Date:	03-17-2011
Base:	RG	Rotation:	R	Insulation:	F	Eff. Date:	10-16-2015
Leads:	3#10					Replaced By:	
Literature:		Elec. Diagram:					

Nameplate NP3443L							
CAT.NO.	EM4107T-5	P/N		ENCLOSURE	TEFC		
SPEC.	09F629Z677G1	CC	010A	FRAME	284TS	S/N	
HP	25	CLASS	F	HZ	60		
RPM	3520	PH	3	DES	B		
VOLT	575	KVA-CODE	H	ODE BRG	6208	DE BRG	6311
AMP	22	USABLE AT 208V					
RATING	40C AMB-CONT	NEMA-NOM-EFF	91.7	GREASE	POLYREX EM		
PF	91	SER.F.	1.15				
HTR-VOLTS		HTR-AMPS		MAX. SPACE HEATER TEMP.			

Parts List		
Part Number	Description	Quantity
SA219537	SA 09F629Z677G1	1.000 EA
RA206704	RA 09F629Z677G1	1.000 EA
S/P107-000-006	SUPER-E(284 FR. & UP)-ZK PLANT,POLYREX E	1.000 EA
HW1002A63	WASHER, 5/8 HI-COLLAR SPRLCKWASHER	1.000 EA
10CB3000SP	STD KO BOX MODEL 310,312,314 MTRS W/2.00	1.000 EA
12GS1000SP	GASKET	1.000 EA
10XN3118K12	5/16-18 X .75 GRADE 5, ZINC PLATED	4.000 EA
HW1001A31	LOCKWASHER 5/16, ZINC PLT.591 OD, .319 I	4.000 EA
WD1000B17	T&B CX35TN TERMINAL	1.000 EA
51XF2520A08	SCREW, HEX SER SLT HD, ZN 1/4-20 X .50 L	1.000 EA
09EP1100A14SP	ENDPLATE, MACH	1.000 EA
XY3816A12	3/8-16 FINISHED NUT	4.000 EA
HW1001A38	LOCKWASHER 3/8, ZINC PLT .688 OD, .382 I	4.000 EA
HW5100A08	W3118-035 WVY WSHR (WB)	1.000 EA
10XN2520K28	1/4-20 X 1.75" HX HD SCRWGRADE 5, ZINC P	2.000 EA
HW1001A25	LOCKWASHER 1/4, ZINC PLT .493 OD, .255 I	2.000 EA
10XN3118K40	5/16-18 X 2.50" HEX HD, GRADE 5	4.000 EA
HW1001A31	LOCKWASHER 5/16, ZINC PLT.591 OD, .319 I	4.000 EA
09EP1116A01	PU ENDPLATE, MACH	1.000 EA
HA3113A15	THRUBOLT 3/8-16 X 18.875 W/3.50 THD LENG	4.000 EA
09FH4000SP	FAN COVER, STAMPED	1.000 EA
HA2081A05	SPACER TUBE, 309 FAN HSG, 2.00 LONG	4.000 EA
XY3816A12	3/8-16 FINISHED NUT	4.000 EA
HW1001A38	LOCKWASHER 3/8, ZINC PLT .688 OD, .382 I	4.000 EA

<b>Parts List (continued)</b>		
<b>Part Number</b>	<b>Description</b>	<b>Quantity</b>
10CB3500	CONDUIT BOX LID, CAST	1.000 EA
10GS1000	GASKET, CONDUIT BOX LID	1.000 EA
51XW2520A12	.25-20 X .75, TAPTITE II, HEX WSHR SLTD	4.000 EA
HW4600B40	V-RING SLINGER 2.000 X 2.680 X 0.280	1.000 EA
HW2501G17	KEY, 3/8 SQ X 1.875	1.000 EA
LB1115N	LABEL,LIFTING DEVICE (ON ROLLS)	1.000 EA
MN416A01	TAG-INSTAL-MAINT no wire (1200/bx) 11/14	1.000 EA
HW4500A05	1669B ALEM/UNIV860 GR FTG X	1.000 EA
HW4500A17	317400 ALEMITE GREASE RELIEF	1.000 EA
HA4054	SHORT T-DRAIN FITTING, .125" N.P.T.	1.000 EA
HA4051A00	PLASTIC CAP FOR GREASE FITTING	1.000 EA
MJ1000A75	GREASE, POLYREX EM EXXON (USe 4824-15A)	0.080 LB
HW4500A03	GREASE FITTING, .125 NPT 1610(ALEMITE) 8	1.000 EA
HW4500A17	317400 ALEMITE GREASE RELIEF	1.000 EA
HA4054	SHORT T-DRAIN FITTING, .125" N.P.T.	1.000 EA
HA4051A00	PLASTIC CAP FOR GREASE FITTING	1.000 EA
37FN3002C02	EXFN, PLASTIC, 6.00 OD, 1.500 ID	1.000 EA
51XB1214A20	12-14X1.25 HXWSSLD SERTYB	1.000 EA
HW2500A25	WOODRUFF KEY USA #1008 #BLOW CARBON STEE	1.000 EA
MG1000Y03	MUNSELL 2.53Y 6.70/ 4.60, GLOSS 20,	0.050 GA
85XU0407S04	4X1/4 U DRIVE PIN STAINLESS	4.000 EA
LB1119N	WARNING LABEL	1.000 EA
LC0006	CONNECTION LABEL	1.000 EA
NP3443L	SS SUPER-E UL CSA-EEV PREM CC	1.000 EA

40PA1005	PACKAGING GROUP, 09 STD	1.000 EA
----------	-------------------------	----------

<b>Accessories</b>		
<b>Part Number</b>	<b>Description</b>	<b>Multiplier</b>
09-1310	C FACE KIT	A8

**AC Induction Motor Performance Data**

Record # 35477 - Typical performance - not guaranteed values

<b>Winding:</b> 09WGZ677-R002	<b>Type:</b> 0950M	<b>Enclosure:</b> TEFC
-------------------------------	--------------------	------------------------

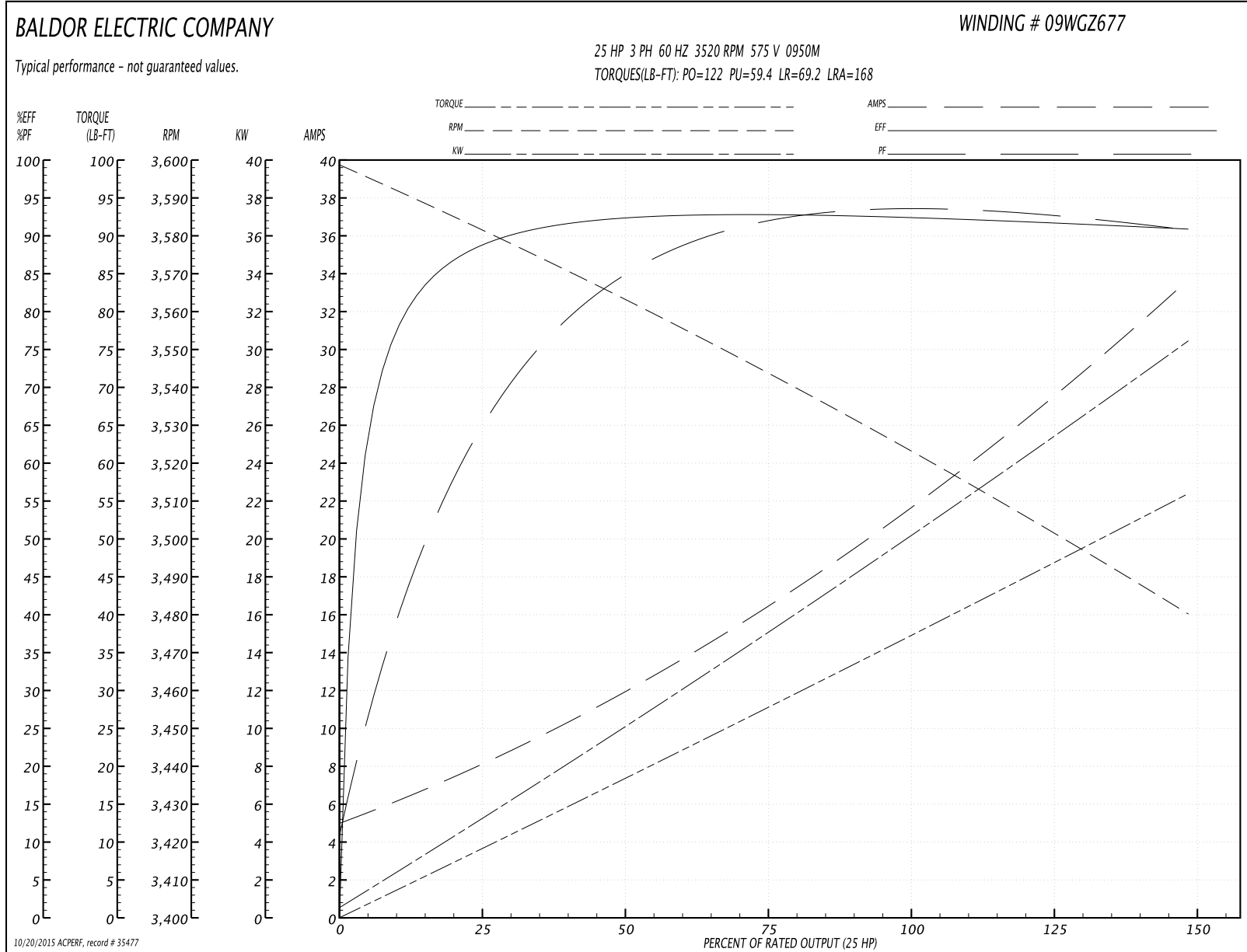
Nameplate Data				575 V, 60 Hz: Single Voltage Motor	
Rated Output (HP)	25			Full Load Torque	37.2 LB-FT
Volts	575			Start Configuration	direct on line
Full Load Amps	22			Breakdown Torque	122 LB-FT
R.P.M.	3520			Pull-up Torque	59.4 LB-FT
Hz	60	Phase	3	Locked-rotor Torque	69.2 LB-FT
NEMA Design Code	B	KVA Code	H	Starting Current	168 A
Service Factor (S.F.)	1.15			No-load Current	5.33 A
NEMA Nom. Eff.	91.7	Power Factor	91	Line-line Res. @ 25°C	0.531 Ω
Rating - Duty	40C AMB-CONT			Temp. Rise @ Rated Load	68°C
S.F. Amps				Temp. Rise @ S.F. Load	86°C
				Rotor inertia	1.28 LB-FT <sup>2</sup>

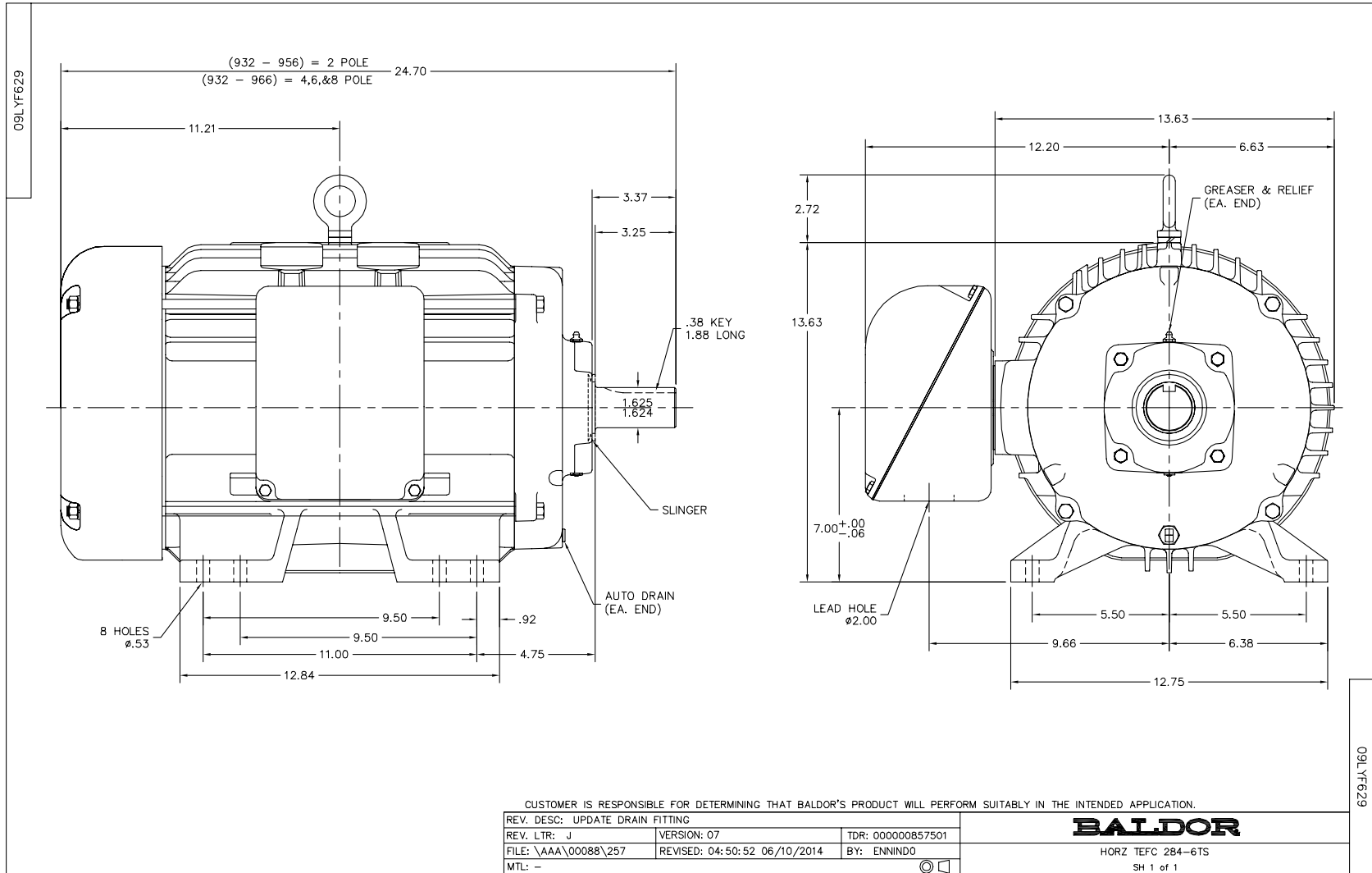
Load Characteristics 575 V, 60 Hz, 25 HP

% of Rated Load	25	50	75	100	125	150	S.F.
Power Factor	70	87	91	93	92	91	92
Efficiency	89.1	92.2	92.7	92.4	91.8	90.8	92.1
Speed	3581	3562	3544	3524	3502	3480	3511
Line amperes	7.73	11.8	16.7	21.8	27.5	33.5	25.2

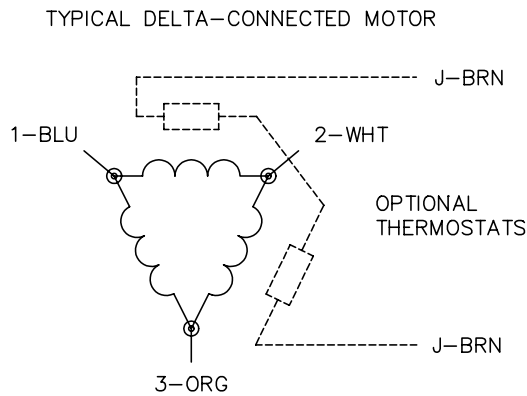
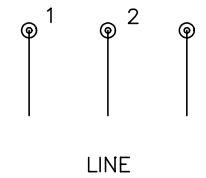
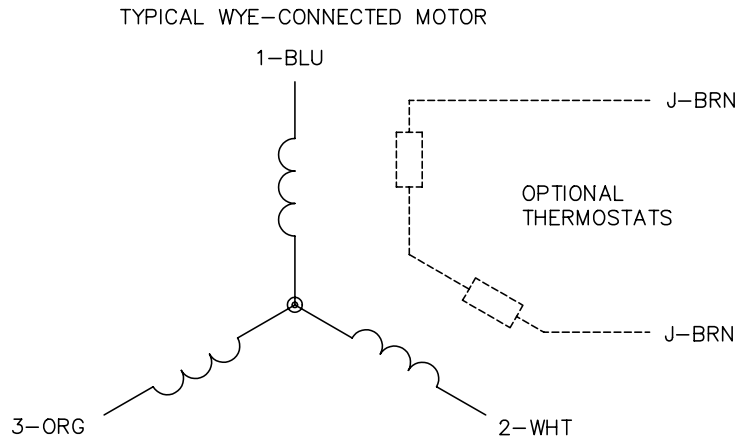


Performance Graph at 575V, 60Hz, 25.0HP Typical performance - Not guaranteed values





CD0006



NOTES:

1. THREE LEAD MOTOR MAY BE EITHER WYE CONNECTED OR DELTA CONNECTED.
2. INTERCHANGE ANY TWO LINE LEADS TO REVERSE ROTATION.
3. OPTIONAL THERMOSTATS ARE PROVIDED WHEN SPECIFIED.
4. ACTUAL NUMBER OF INTERNAL PARALLEL CIRCUITS MAY VARY.
5. LEAD COLORS ARE OPTIONAL. LEADS MUST BE NUMBERED AS SHOWN.

REV. DESC: REVISE TO SHOW OPTIONAL COLORS			
REV. LTR: D	BY: JLP	REVISED: 01/21/99 4:02	TDR: 0171435
9000D		FILE: AAA00005141	MDL: -
		MTL: -	

**BALDOR ELECTRIC Co.**

3PH, SV, 3 LEADS, WYE OR DELTA CONNECTED

CD0006