

BALDOR® • **RELIANCE**

Product Information Packet

EM3770T

7.5HP, 1770RPM, 3PH, 60HZ, 213, T, 0735M, TEFC

Part Detail							
Revision:	Y	Status:	PRD/A	Change #:		Proprietary:	No
Type:	AC	Prod. Type:	0735M	Elec. Spec:	07WGX790	CD Diagram:	CD0005
Enclosure:	TEFC	Mfg Plant:		Mech. Spec:	07H002	Layout:	07LYH002
Frame:	213T	Mounting:	F1	Poles:	04	Created Date:	
Base:	RG	Rotation:	R	Insulation:	F	Eff. Date:	10-16-2015
Leads:	9#14					Replaced By:	
Literature:		Elec. Diagram:					

Nameplate NP3441LUA									
CAT.NO.	EM3770T								
SPEC.	07H002X790								
HP	7.5								
VOLTS	230/460								
AMP	19/9.5								
RPM	1770								
FRAME	213T	HZ	60	PH	3				
SER.F.	1.15	CODE	J	DES	A	CL	F		
NEMA-NOM-EFF	91.7	PF	81						
RATING	40C AMB-CONT								
CC	010A	USABLE AT 208V	19.8						
DE	6307	ODE	6206						
ENCL	TEFC	SN							
VPWM INVERTER READY									
CT6-60H(10:1)VT3-60H(20:1)									
	50Hz 7.5HP 190/380V 22/11A SF1.0								

Parts List		
Part Number	Description	Quantity
SA115069	SA 07H002X790	1.000 EA
RA106158	RA 07H002X790	1.000 EA
37FN3002C01	EXFN, PLASTIC, 6.00 OD, 1.155 ID	1.000 EA
S/P107-000-005	SUPER-E PROC'S(254/6 FR.) ZK PLANT - POL	1.000 EA
HW3201A05	3/8-16 EYEBOLT	1.000 EA
09CB3002SP	CB W/1.38 LEAD HOLE FOR 37, 39, 307 & 30	1.000 EA
09GS1000SP	GASKET-CONDUIT BOX, 1/16 THICK LEXIDE	1.000 EA
51XW2520A12	.25-20 X .75, TAPTITE II, HEX WSHR SLTD	2.000 EA
WD1000B17	T&B CX35TN TERMINAL	1.000 EA
11XW1032G06	10-32 X .38, TAPTITE II, HEX WSHR SLTD U	1.000 EA
37EP1100A111	FR ENDPLATE MACH FOR GREASER & RELIEF	1.000 EA
HW4500A17	317400 ALEMITE GREASE RELIEF	1.000 EA
HW4500A01	1641B(ALEMITE)400 UNIV, GREASE FITT	1.000 EA
HW5100A06	W2420-025 WVY WSHR (WB)	1.000 EA
37EP1101A22	PU ENDPLATE, MACH	1.000 EA
HW4500A17	317400 ALEMITE GREASE RELIEF	1.000 EA
HW4500A01	1641B(ALEMITE)400 UNIV, GREASE FITT	1.000 EA
XY3118A12	5/16-18 HEX NUT DIRECTIONAL SERRATION	4.000 EA
07FH4007SP	IEC FH W/GRSR, NOTCH @ 6:00 & 3 FAN CVR	1.000 EA
51XW1032A06	10-32 X .38, TAPTITE II, HEX WSHR SLTD S	3.000 EA
09CB3501SP	CONDUIT BOX LID FOR 09CB3001 & 09CB3002	1.000 EA
09GS1013SP	09 GS FOR 09CB3501 LID - LEXIDE	1.000 EA
51XW2520A12	.25-20 X .75, TAPTITE II, HEX WSHR SLTD	2.000 EA
HW2501F21	KEY, 5/16 SQ X 2.375	1.000 EA

Parts List (continued)		
Part Number	Description	Quantity
HA7000A02	KEY RETAINER RING, 1 1/8 DIA, 1 3/8 DIA	1.000 EA
LB1115N	LABEL,LIFTING DEVICE (ON ROLLS)	1.000 EA
85XU0407S04	4X1/4 U DRIVE PIN STAINLESS	2.000 EA
MJ1000A75	GREASE, POLYREX EM EXXON (USe 4824-15A)	0.050 LB
HA3104A32	THRUBOLT- 5/16-18 X12.750	4.000 EA
51XB1214A20	12-14X1.25 HXWSSLD SERTYB	1.000 EA
MG1000Y03	MUNSELL 2.53Y 6.70/ 4.60, GLOSS 20,	0.036 GA
LC0005E01	CONN.DIA./WARNING LABEL (LC0005/LB1119N)	1.000 EA
NP3441LUA	ALUM SUPER-E VPWM INV READY UL	1.000 EA
07PA1000	PACKAGING GROUP COMBINED PRINT	1.000 EA
MN416A01	TAG-INSTAL-MAINT no wire (1200/bx) 11/14	1.000 EA

Accessories		
Part Number	Description	Multiplier
37-1304	C FACE KIT	A8

AC Induction Motor Performance Data

Record # 34382 - Typical performance - not guaranteed values

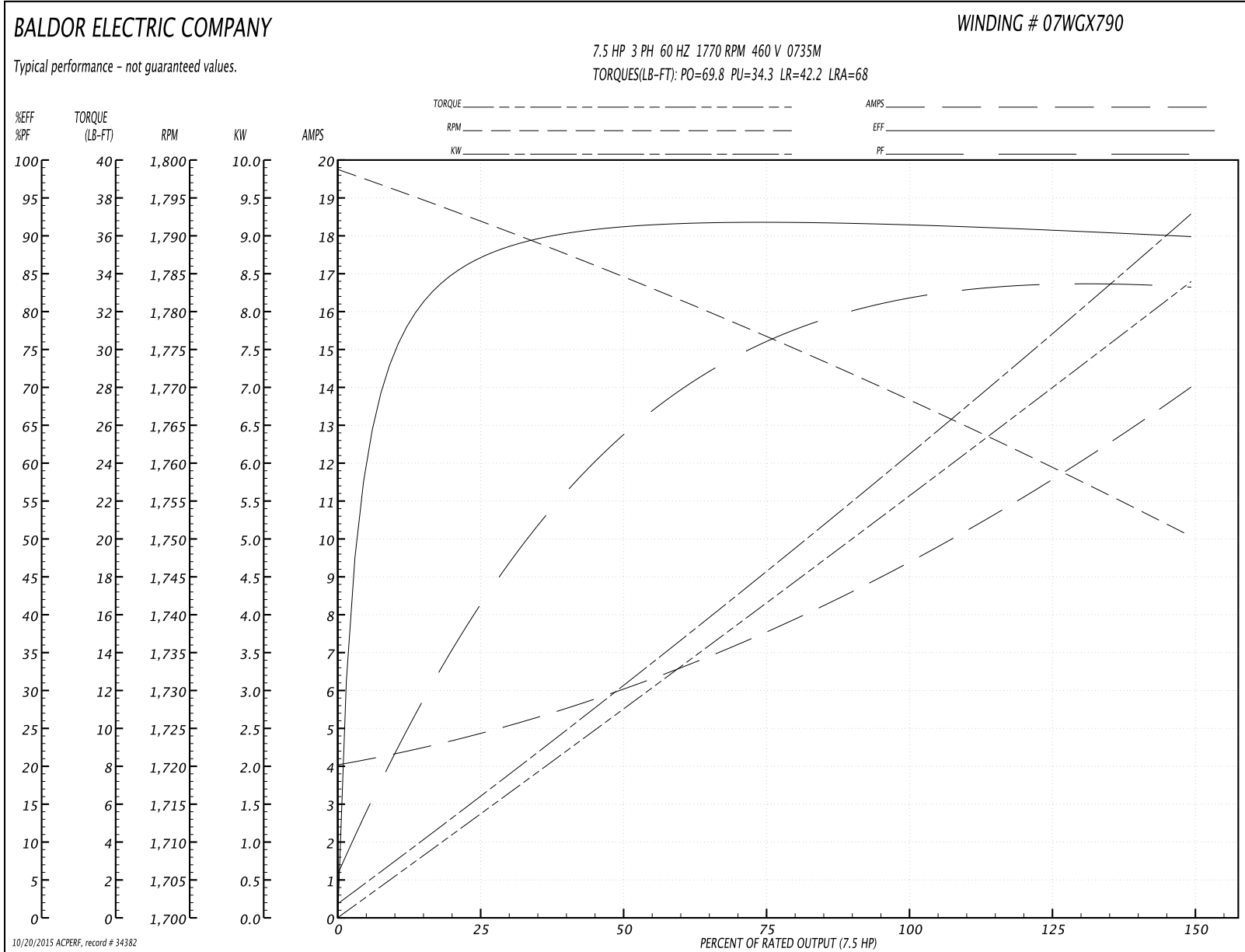
Winding: 07WGX790-R010	Type: 0735M	Enclosure: TEFC
-------------------------------	--------------------	------------------------

Nameplate Data				460 V, 60 Hz: High Voltage Connection	
Rated Output (HP)	7.5			Full Load Torque	22.1 LB-FT
Volts	230/460			Start Configuration	direct on line
Full Load Amps	19/9.5			Breakdown Torque	69.8 LB-FT
R.P.M.	1770			Pull-up Torque	34.3 LB-FT
Hz	60	Phase	3	Locked-rotor Torque	42.2 LB-FT
NEMA Design Code	A	KVA Code	J	Starting Current	68 A
Service Factor (S.F.)	1.15			No-load Current	4.18 A
NEMA Nom. Eff.	91.7	Power Factor	81	Line-line Res. @ 25°C	1.43 Ω
Rating - Duty	40C AMB-CONT			Temp. Rise @ Rated Load	42°C
S.F. Amps				Temp. Rise @ S.F. Load	52°C
				Rotor inertia	0.861 LB-FT ²

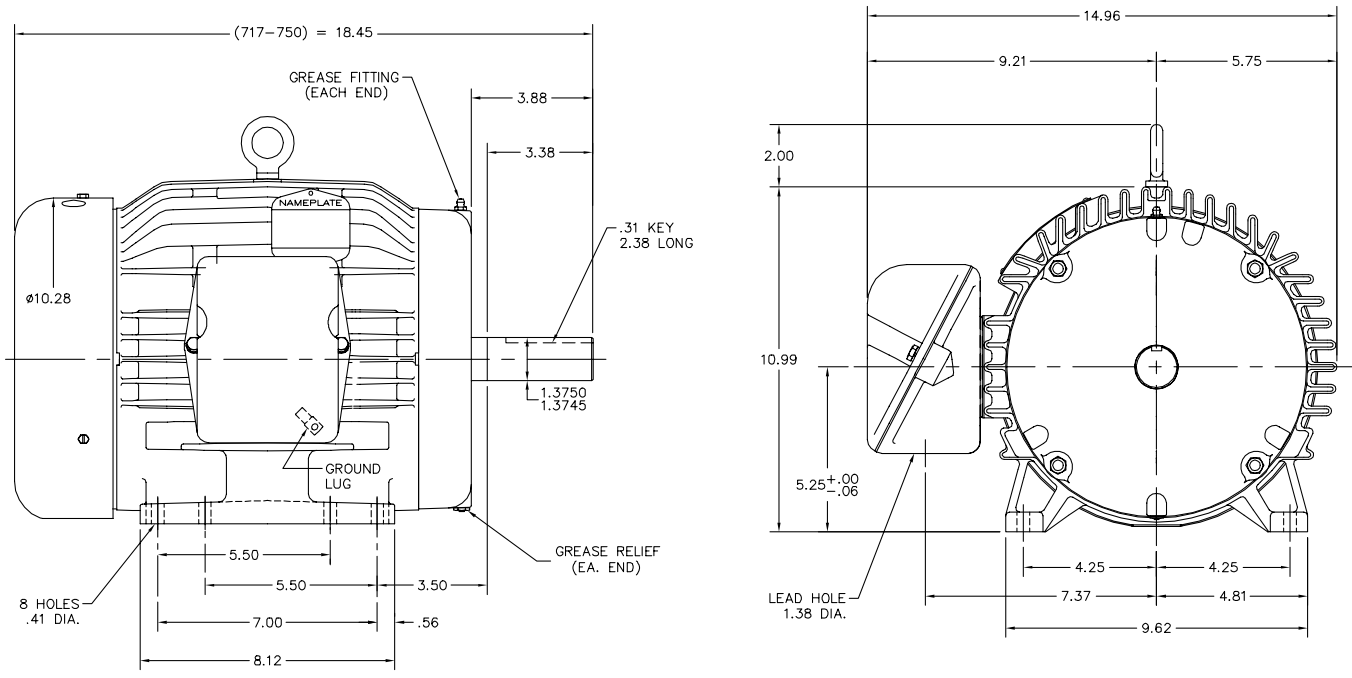
Load Characteristics 460 V, 60 Hz, 7.5 HP

% of Rated Load	25	50	75	100	125	150	S.F.
Power Factor	43	65	76	81	83	84	82
Efficiency	87.4	91.6	92.3	92	91.2	90.1	91.5
Speed	1792	1784	1777	1769	1760	1750	1764
Line amperes	4.68	5.93	7.53	9.44	11.6	13.9	10.7

Performance Graph at 460V, 60Hz, 7.5HP Typical performance - Not guaranteed values



07LYH002



07LYH002

CUSTOMER IS RESPONSIBLE FOR DETERMINING THAT BALDOR'S PRODUCT WILL PERFORM SUITABLY IN THE INTENDED APPLICATION.

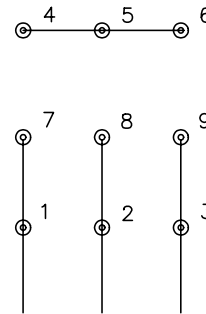
REV. DESC: REMOVE SUPER LABEL ON KOBX	VERSION: 01	TDR: 000000895363
REV. LTR: P	REVISD: 09:58:42 03/04/2015	BY: ENALEMO
FILE: \AAA\00016\291		
MTL: -		

BALDOR
 HORZ 213-5T TEFC 307M
 SH 1 of 1

CD0005

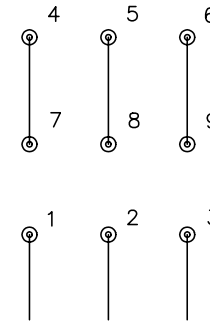


LOW VOLTAGE
(2Y)



LINE

HIGH VOLTAGE
(1Y)



LINE

NOTES:

1. INTERCHANGE ANY TWO LINE LEADS TO REVERSE ROTATION.
2. OPTIONAL THERMOSTATS ARE PROVIDED WHEN SPECIFIED.
3. ACTUAL NUMBER OF INTERNAL PARALLEL CIRCUITS MAY BE A MULTIPLE OF THOSE SHOWN ABOVE.
4. LEAD COLORS ARE OPTIONAL. LEADS MUST ALWAYS BE NUMBERED AS SHOWN.

REV. DESC: REVISE TO SHOW OPTIONAL COLORS			
REV. LTR: E	BY: JLP	REVISED: 01/19/99 10:15	TDR: 0171435
90000		FILE: AAA00005140	MDL: -
		MTL: -	

BALDOR ELECTRIC Co.

3PH, DV, 9 LEADS

CD0005