

BALDOR® • ***RELIANCE***

Product Information Packet

EM3550T

1.5HP,3480RPM,3PH,60HZ,143T,3520M,TEFC,F

| Part Detail | | | | | | | |
|-------------|------|----------------|-------|-------------|----------|---------------|------------|
| Revision: | K | Status: | PRD/A | Change #: | | Proprietary: | No |
| Type: | AC | Prod. Type: | 3520M | Elec. Spec: | 35WGM760 | CD Diagram: | CD0005 |
| Enclosure: | TEFC | Mfg Plant: | | Mech. Spec: | 35T638 | Layout: | 35LYT638 |
| Frame: | 143T | Mounting: | F1 | Poles: | 02 | Created Date: | 04-28-2010 |
| Base: | RG | Rotation: | R | Insulation: | F | Eff. Date: | 10-16-2015 |
| Leads: | 9#18 | | | | | Replaced By: | |
| Literature: | | Elec. Diagram: | | | | | |

| | | | | | | | |
|----------------------------|------------------------------------|----------------|------|-----|---|----|---|
| Nameplate NP3441LUA | | | | | | | |
| CAT.NO. | EM3550T | | | | | | |
| SPEC. | 35T638M760G1 | | | | | | |
| HP | 1.5 | | | | | | |
| VOLTS | 230/460 | | | | | | |
| AMP | 3.8/1.9 | | | | | | |
| RPM | 3500 | | | | | | |
| FRAME | 143T | HZ | 60 | PH | 3 | | |
| SER.F. | 1.15 | CODE | L | DES | B | CL | F |
| NEMA-NOM-EFF | 84 | PF | 85 | | | | |
| RATING | 40C AMB-CONT | | | | | | |
| CC | 010A | USABLE AT 208V | 4.6 | | | | |
| DE | 6205 | ODE | 6203 | | | | |
| ENCL | TEFC | SN | | | | | |
| VPWM INVERTER READY | | | | | | | |
| CT6-60H(10:1)VT3-60H(20:1) | | | | | | | |
| | 50Hz 1.5HP 190/380V 4.6/2.3A sf1.0 | | | | | | |

| Parts List | | |
|----------------|--|----------|
| Part Number | Description | Quantity |
| SA194060 | SA 35T638M760G1 | 1.000 EA |
| RA181653 | RA 35T638M760G1 | 1.000 EA |
| 34FN3002B01 | EXTERNAL FAN, PLASTIC, .637/.639 HUB W/ | 1.000 EA |
| S/P107-000-001 | SUPER E PROC'S-FS, WS & CK PLTS | 1.000 EA |
| NS2512A01 | INSULATOR, CONDUIT BOX X | 1.000 EA |
| 35CB3007 | 35 CB CASTING W/.88 DIA. LEAD HOLE | 1.000 EA |
| 36GS1000SP | GASKET-CONDUIT BOX, .06 THICK #SV-330 LE | 1.000 EA |
| 51XB1016A07 | 10-16 X 7/16 HXWSSLD SERTYB | 2.000 EA |
| 11XW1032G06 | 10-32 X .38, TAPTITE II, HEX WSHR SLTD U | 1.000 EA |
| 35EP3100M01 | FREP TEFC 203 BRG W/GRSR (RAISED FH PADS | 1.000 EA |
| HW4500A01 | 1641B(ALEMITE)400 UNIV, GREASE FITT | 1.000 EA |
| HW5100A03SP | WAVY WASHER (W1543-017) | 1.000 EA |
| 35EP3101A01SP | STD PU EP-ENCLOSED-205 BRG-W/GREASER | 1.000 EA |
| HW4500A01 | 1641B(ALEMITE)400 UNIV, GREASE FITT | 1.000 EA |
| XY1032A02 | 10-32 HEX NUT DIRECTIONAL SERRATION | 4.000 EA |
| 35FH4005A84SP | IEC FH W/GRSR, NO DIMPLES W/AUTOPHERETIC | 1.000 EA |
| 51XW1032A06 | 10-32 X .38, TAPTITE II, HEX WSHR SLTD S | 3.000 EA |
| 35CB4521 | 35 LIPPED CB LID (GALV & PHOSPH) | 1.000 EA |
| 35GS1030 | 35 GS FOR CB LID - LEXIDE | 1.000 EA |
| 51XW0832A07 | 8-32 X .44, TAPTITE II, HEX WSHR SLTD SE | 4.000 EA |
| HW2501D13SP | KEY, 3/16 SQ X 1.375 | 1.000 EA |
| HA7000A01 | KEY RETAINER 7/8" DIA SHAFT | 1.000 EA |
| 85XU0407S04 | 4X1/4 U DRIVE PIN STAINLESS | 2.000 EA |
| MJ1000A75 | GREASE, POLYREX EM EXXON (USe 4824-15A) | 0.050 LB |

| Parts List (continued) | | |
|-------------------------------|--|-----------------|
| Part Number | Description | Quantity |
| MG1000Y03 | MUNSELL 2.53Y 6.70/ 4.60, GLOSS 20, | 0.017 GA |
| HA3100A15 | THRUBOLT 10-32 X 8.375 | 4.000 EA |
| LC0005E01 | CONN.DIA./WARNING LABEL (LC0005/LB1119N) | 1.000 EA |
| MN416A01 | TAG-INSTAL-MAINT no wire (1200/bx) 11/14 | 1.000 EA |
| NP3441LUA | ALUM SUPER-E VPWM INV READY UL | 1.000 EA |
| PA1000 | PACKING GROUP 3500 SHORT | 1.000 EA |

| Accessories | | |
|--------------------|--------------------|-------------------|
| Part Number | Description | Multiplier |
| 35-8762 | C FACE KIT | A8 |
| 35EP1506A01SP | D-FLANGE KIT | A8 |

AC Induction Motor Performance Data
Record # 52482 - Typical performance - not guaranteed values

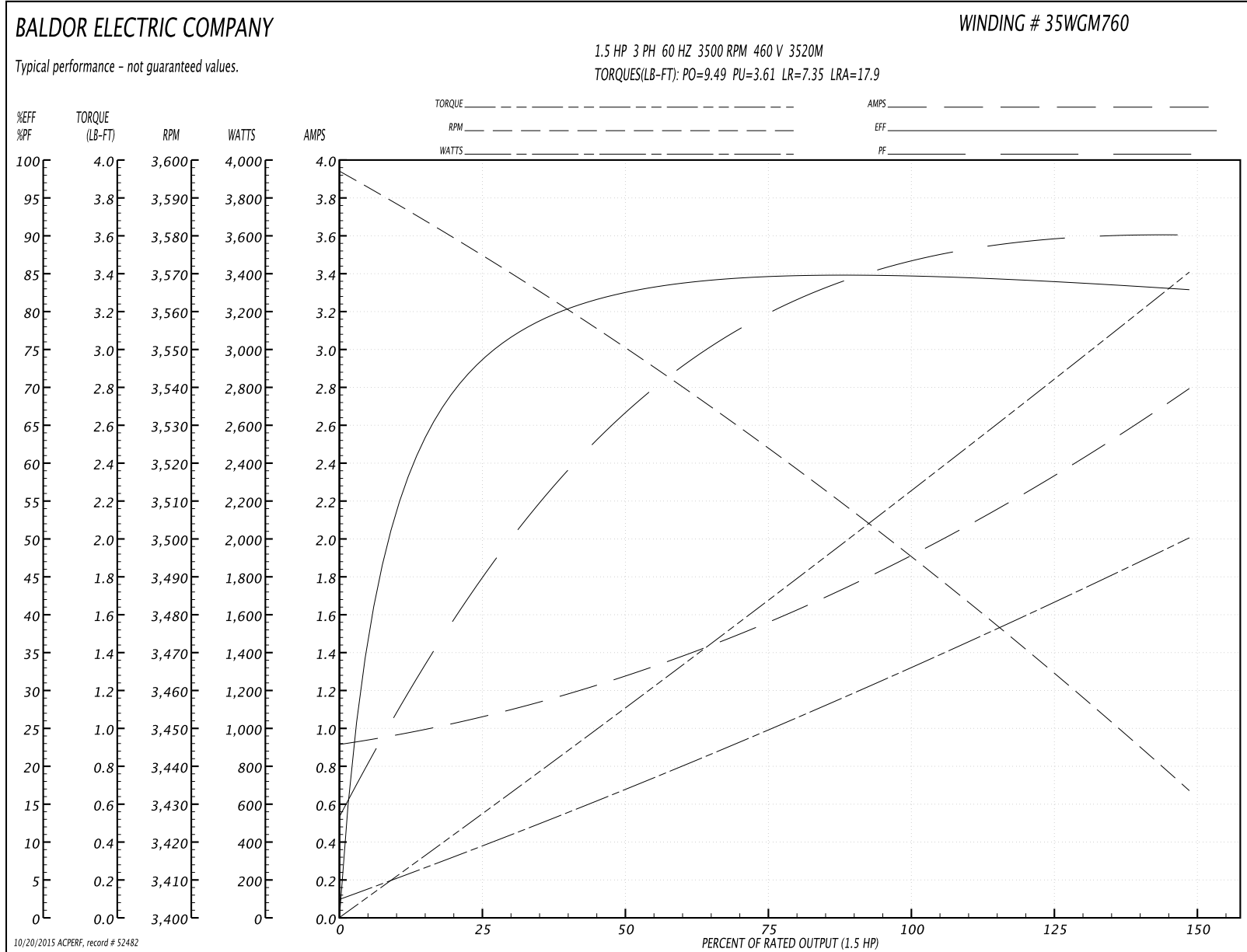
| | | |
|-------------------------------|--------------------|------------------------|
| Winding: 35WGM760-R051 | Type: 3520M | Enclosure: TEFC |
|-------------------------------|--------------------|------------------------|

| Nameplate Data | | | | 460 V, 60 Hz: High Voltage Connection | |
|-----------------------|--------------|--------------|----|--|---------------------------|
| Rated Output (HP) | 1.5 | | | Full Load Torque | 2.22 LB-FT |
| Volts | 230/460 | | | Start Configuration | direct on line |
| Full Load Amps | 3.8/1.9 | | | Breakdown Torque | 9.49 LB-FT |
| R.P.M. | 3500 | | | Pull-up Torque | 3.61 LB-FT |
| Hz | 60 | Phase | 3 | Locked-rotor Torque | 7.35 LB-FT |
| NEMA Design Code | B | KVA Code | L | Starting Current | 17.9 A |
| Service Factor (S.F.) | 1.15 | | | No-load Current | 0.932 A |
| NEMA Nom. Eff. | 84 | Power Factor | 85 | Line-line Res. @ 25°C | 12.2 Ω |
| Rating - Duty | 40C AMB-CONT | | | Temp. Rise @ Rated Load | 43°C |
| S.F. Amps | | | | Temp. Rise @ S.F. Load | 50°C |
| | | | | Rotor inertia | 0.0553 LB-FT ² |

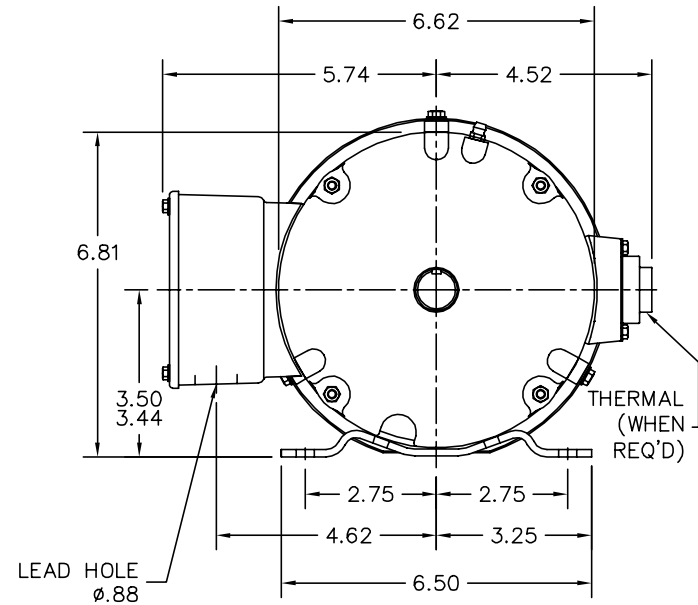
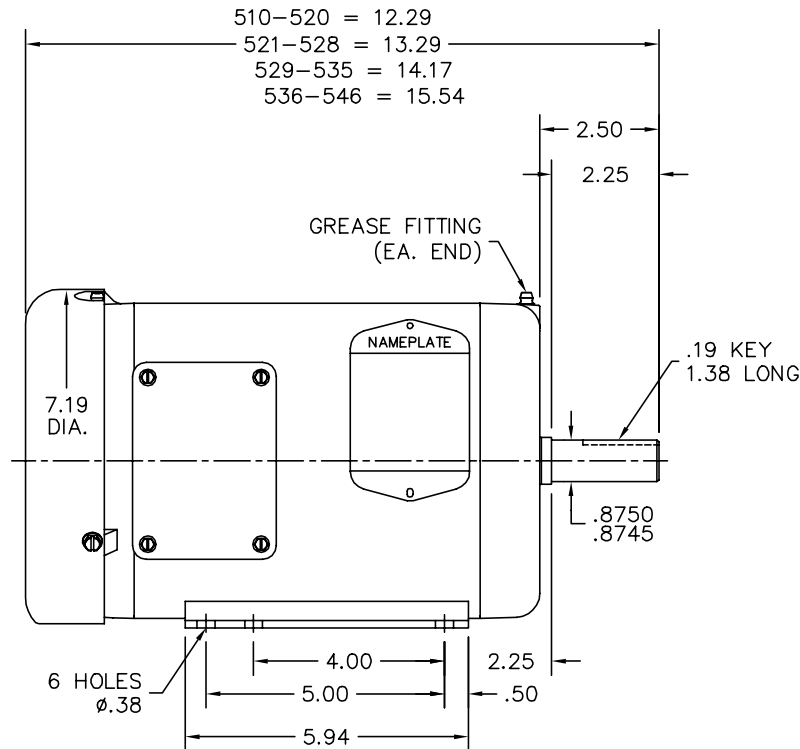
Load Characteristics 460 V, 60 Hz, 1.5 HP

| % of Rated Load | 25 | 50 | 75 | 100 | 125 | 150 | S.F. |
|-----------------|------|------|------|------|------|------|------|
| Power Factor | 45 | 67 | 79 | 85 | 89 | 90 | 87 |
| Efficiency | 72.3 | 82.2 | 84.4 | 84.8 | 84.3 | 82.8 | 84.5 |
| Speed | 3575 | 3551 | 3526 | 3498 | 3466 | 3433 | 3479 |
| Line amperes | 1.03 | 1.25 | 1.55 | 1.91 | 2.31 | 2.79 | 2.15 |

Performance Graph at 460V, 60Hz, 1.5HP Typical performance - Not guaranteed values



35LYT638



CUSTOMER IS RESPONSIBLE FOR DETERMINING THAT BALDOR'S PRODUCT WILL PERFORM SUITABLY IN THE INTENDED APPLICATION.

| | | |
|--|-------------|------------------------------|
| REV. DESC: UPDATE FREP AND FAN HOUSING (SEE ZTR02 NOTES) | | |
| REV. LTR: C | VERSION: 03 | TDR: 000000580046 |
| FILE: \AAA\00106\650 | | REVISED: 08:51:08 02/11/2011 |
| MTL: - | | BY: ENBENBO |

BALDOR

HOR 143-5T TEFC 35M 2 POLE "W" BASE (35BA4009)

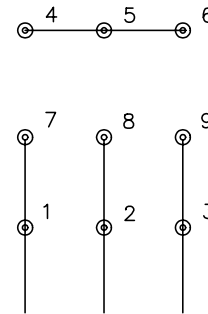
SH 1 of 1

35LYT638

CD0005

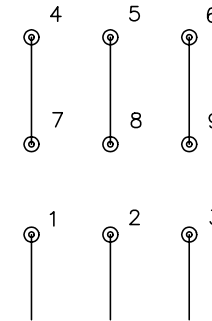


LOW VOLTAGE
(2Y)



LINE

HIGH VOLTAGE
(1Y)



LINE

NOTES:

1. INTERCHANGE ANY TWO LINE LEADS TO REVERSE ROTATION.
2. OPTIONAL THERMOSTATS ARE PROVIDED WHEN SPECIFIED.
3. ACTUAL NUMBER OF INTERNAL PARALLEL CIRCUITS MAY BE A MULTIPLE OF THOSE SHOWN ABOVE.
4. LEAD COLORS ARE OPTIONAL. LEADS MUST ALWAYS BE NUMBERED AS SHOWN.

| | | | |
|---|---------|-------------------------|--------------|
| REV. DESC: REVISE TO SHOW OPTIONAL COLORS | | | |
| REV. LTR: E | BY: JLP | REVISED: 01/19/99 10:15 | TDR: 0171435 |
| 9000D | | FILE: AAA00005140 | MDL: - |
| | | MTL: - | |

BALDOR ELECTRIC Co.

3PH, DV, 9 LEADS

CD0005