

BALDOR® • **RELIANCE**

Product Information Packet

EM2552T-4

75HP, 1185RPM, 3PH, 60HZ, 405T, ODP, FOOT,

Part Detail							
Revision:	H	Status:	PRD/A	Change #:		Proprietary:	No
Type:	AC	Prod. Type:	A40064M	Elec. Spec:	A40WG0466	CD Diagram:	416820-008
Enclosure:	DP	Mfg Plant:		Mech. Spec:		Layout:	611750-001
Frame:	405T	Mounting:	F1	Poles:	06	Created Date:	10-19-2010
Base:		Rotation:	R	Insulation:	F	Eff. Date:	03-14-2013
Leads:	6#6					Replaced By:	
Literature:		Elec. Diagram:					

Nameplate NP2383L									
CAT.NO.	EM2552T-4	SPEC NO.	P40G302						
HP	75	AMPS	86.9	VOLTS	460	DESIGN	B		
FRAME	405T	RPM	1185	HZ	60	AMB	40	SF	1.15
DRIVE END BEARING	80BC03J30X	PHASE	3	DUTY	CONT	INSUL.CLASS	F		
OPP D.E. BEARING	80BC03J30X	TYPE	P	ENCL	DP	CODE	G		
SER.NO.		POWER FACTOR	85	NEMA-NOM-EFFICIENCY	95				
		MAX CORR KVAR	15.0	GUARANTEED EFFICIENCY	94.5				
NEMA NOM/CSA QUOTED EFF									
		MOTOR WEIGHT	1067						

Parts List		
Part Number	Description	Quantity
SA209231	SA P40G302	1.000 EA
RA196493	RA P40G302	1.000 EA
000613006PU	N/P UL CSA LABEL	1.000 EA
000692000VD	LABEL WARNING	1.000 EA
NP2383L	SUPER-E ,SS, CC, CSA-C US, CSA EEV	1.000 EA
421948044	LABEL, MYLAR	1.000 EA
004824015A	GREASE POLYREX EM	0.884 LB
032018005AK	HHCS 1/4-20X5/8 PLATED	4.000 EA
032018020DK	HHCS 1/2-13X2-1/2 PLTD.	2.000 EA
032018026DK	HHCS 1/2-13X3-1/4L PLTD.	2.000 EA
032018030CK	HHCS 3/8-16X3-3/4 PLATED	3.000 EA
034000012AB	WSHR 1/4 STD. PLATED	4.000 EA
034017012AB	LCKW 1/4 STD. PLATED	4.000 EA
034600001AA	BUSH 1/4TO1/8 BLACK	1.000 EA
035000001G	GREASE RELIEF FITTING, ALEMITE 317400	1.000 EA
089407052A	BRKT 400 089407052WCB	1.000 EA
410700000DA	WAVY SPRING WASHER	1.000 EA
702609001A	BAFFL 400 SUB PAINT	1.000 EA
032018005AK	HHCS 1/4-20X5/8 PLATED	4.000 EA
032018020DK	HHCS 1/2-13X2-1/2 PLTD.	2.000 EA
032018026DK	HHCS 1/2-13X3-1/4L PLTD.	2.000 EA
032018030CK	HHCS 3/8-16X3-3/4 PLATED	3.000 EA
034000012AB	WSHR 1/4 STD. PLATED	4.000 EA
034017012AB	LCKW 1/4 STD. PLATED	4.000 EA

Parts List (continued)		
Part Number	Description	Quantity
034600001AA	BUSH 1/4TO1/8 BLACK	1.000 EA
035000001G	GREASE RELIEF FITTING, ALEMITE 317400	1.000 EA
089407052A	BRKT 400 089407052WCB	1.000 EA
702609001A	BAFFL 400 SUB PAINT	1.000 EA
032018004AK	HHCS 1/4-20X1/2 PLATED	4.000 EA
032018008CK	HHCS 3/8-16X1L PLATED	4.000 EA
033512004LB	HHTTS 1/4-20X1/2 PLTD.	1.000 EA
035000001A	ALFTG 1/8" 1610-BL	1.000 EA
035000001A	ALFTG 1/8" 1610-BL	1.000 EA
048897010DH	BUSH - 400	1.000 EA
077176000L	C/BOX, PAINTED 360-400	1.000 EA
077176001A	CBOXC, PAINTED 360-400	1.000 EA
415000103D	T/LUG #4AWG-1/0AWG W/HOLE FOR .250 BOLT	1.000 EA
418150003A	GREASE FITTING CAP	1.000 EA
418150003A	GREASE FITTING CAP	1.000 EA
MG1000Y03	MUNSELL 2.53Y 6.70/ 4.60, GLOSS 20,	0.250 GA
LB1346N	LABEL,SUPER-E GP(4X4)	1.000 EA
033775004EA	DRSCR #6-1/4 304 S.S.	4.000 EA
034180044JA	KEY 3/4X3/4X5-1/2 L	1.000 EA
PK5004A02	WOOD BASE 40X32 STACK 2X4 RUNNER	1.000 EA

Accessories		
Part Number	Description	Multiplier
089407053B	C-FACE BRKT 400 089407053WCA	P1
089407054B	D-FLANGE BRKT 400 089407054WCA, D-FLG	P1

REL. S.O.	FRAME	HP	TYPE	PHASE/HERTZ	RPM	VOLTS
	405T	75	P	3/60	1185	460
AMPS	DUTY	AMB °C/ INSUL.	S.F.	NEMA DESIGN	CODE LETTER	ENCL.
86.9	CONT	40/F	1.15	B	G	ODP
E/S	ROTOR	TEST S.O.	TEST DATE	STATOR RES. @25 °C OHMS (BETWEEN LINES)		
496415	418142-71-BE	---	---	.0860		

PERFORMANCE						
LOAD	HP	AMPERES	RPM	POWER FACTOR %	EFFICIENCY %	
NO LOAD	0	31.0	1200	4.11	0	
1/4	18.8	37.2	1197	51.1	92.5	
2/4	37.5	50.7	1194	73.0	95.0	
3/4	56.2	67.7	1190	81.6	95.3	
4/4	75.0	86.9	1187	85.1	95.0	
5/4	93.8	108	1183	86.2	94.4	

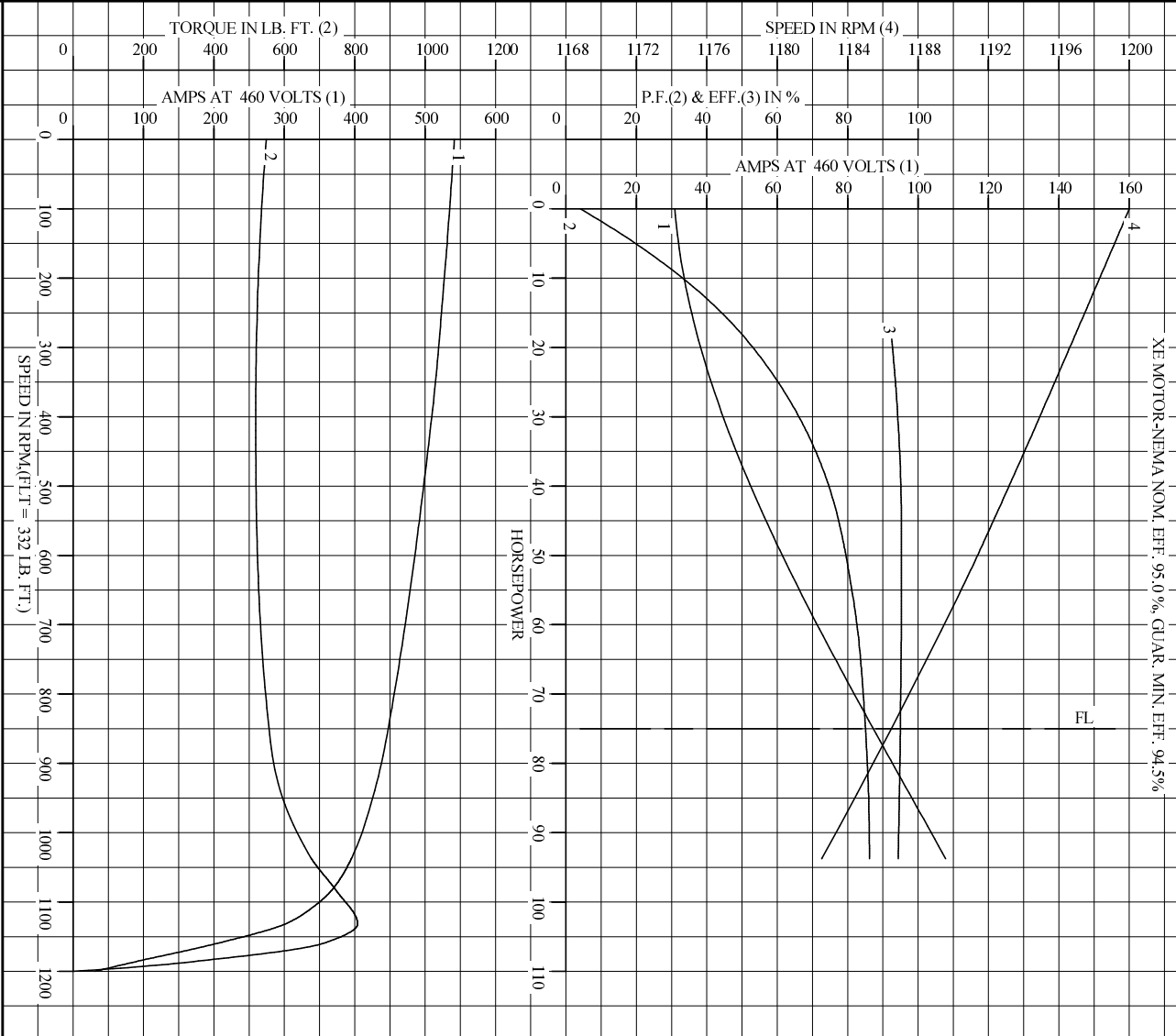
SPEED TORQUE						
	RPM	TORQUE % FULL LOAD	TORQUE LB.-FT.	AMPERES		
LOCKED ROTOR	0	165	549	541		
PULL UP	400	156	519	509		
BREAKDOWN	1132	243	808	302		
FULL LOAD	1187	100	332	86.9		

AMPERES SHOWN FOR 460. VOLT CONNECTION. IF OTHER VOLTAGE CONNECTIONS ARE AVAILABLE, THE AMPERES WILL VARY INVERSELY WITH THE RATED VOLTAGE

REMARKS: TYPICAL DATA
XE MOTOR-NEMA NOM. EFF. 95.0 %, GUAR. MIN. EFF. 94.5%

BALDOR	DR. BY	J.J. HARRISON	A-C MOTOR
	CK. BY	W.I. SMITH	
	APP. BY	W.I. SMITH	PERFORMANCE DATA
	DATE	09/08/09	ISSUE DATE 12/15/10

REL. S.O. _____ RPM 1185 S.F. 1.15 ROTOR 418142-71-EE
 FRAME 405T VOLTS 460 NEMA DESIGN B TEST S.O. TYPICAL DATA
 HP 75 AMPS 86.9 CODE LETTER G TEST DATE ---
 TYPE P DUTY CONT ENCLOSURE ODP STATOR RES. @ 25 °C .0860
 PHASE/HERTZ 3/60 AMB °C/INSUL 40/F E/S 496415 OHMS (BETWEEN LINES)



AMPERES SHOWN FOR 460 VOLT CONNECTION, IF OTHER VOLTAGE CONNECTIONS ARE AVAILABLE, THE AMPERES WILL VARY INVERSELY WITH THE RATED VOLTAGE.

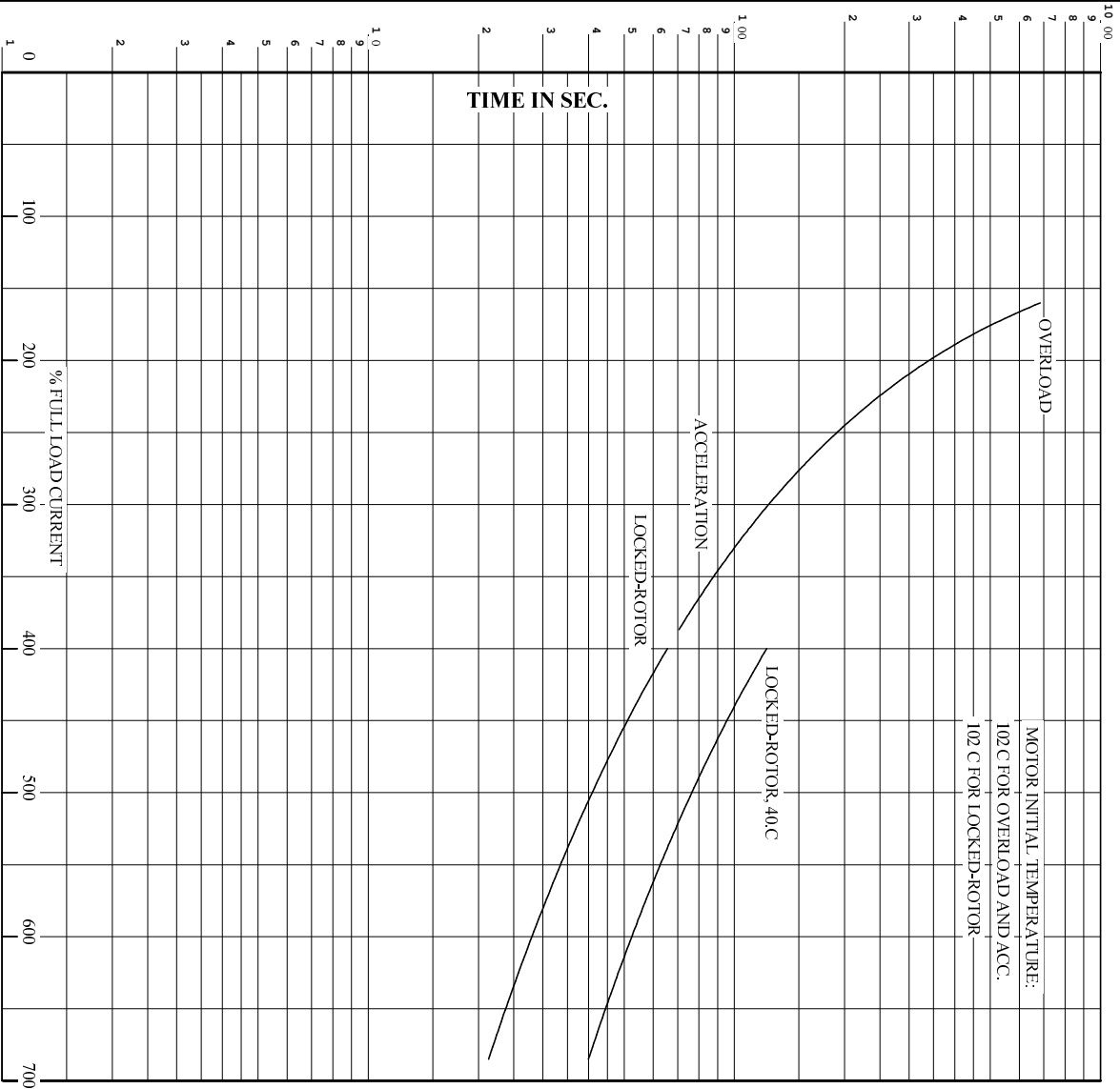
BALDOR

DR. BY J.HARRISON
 CK. BY W.L.SMITH
 APP. BY W.L.SMITH
 DATE 09/08/09

A-C MOTOR PERFORMANCE CURVES A40W/G0466-R001
 ISSUE DATE 12/15/10

Printed on 12/15/10 23:01 @ psecs-motoreng

REL. S.O. RPM 1185 S.F. 1.15 ROTOR 418142-71-EE
 FRAME 405T VOLTS 460 NEMA DESIGN B TEST S.O. TYPICAL DATA
 HP 75 AMPS 86.9 CODE LETTER G TEST DATE ---
 TYPE P DUTY CONT ENCLOSURE ODP STATOR RES. @ 25 °C. 0860
 PHASE/HERTZ 3/60 AMB °C/INSUL 40/F E/S 496415 OHMS (BETWEEN LINES)



REMARKS: THERMAL LIMIT CURVE
 XE MOTOR-NEMA NOM. EFF. 95.0%, GUAR. MIN. EFF. 94.5%

AMPERES SHOWN FOR 460 VOLT CONNECTION, IF OTHER VOLTAGE CONNECTIONS ARE AVAILABLE, THE AMPERES WILL VARY INVERSELY WITH THE RATED VOLTAGE.



DR. BY J.HARRISON
 CK. BY W.L.SMITH
 App. BY W.L.SMITH
 DATE 09/08/09

A-C MOTOR
PERFORMANCE A40WG0466-R001
CURVES ISSUE DATE 12/15/10

611750-001

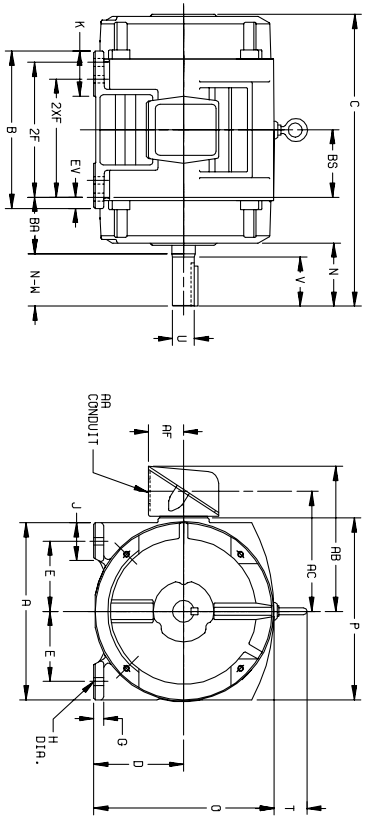
DUTY MASTER ALTERNATING CURRENT MOTORS

SQUIRREL-CAGE INDUCTION

ENCLOSURE: PROTECTED
MOUNTING: FOOT

FRAMES 250T THRU 440T

COOLING: SELF-VENTILATED



DIMENSIONS ARE IN INCHES

FRAME	A	D(2)	E	G	H	J	K	O	P	T	STEEL TERMINAL BOX						EV
											AA	AB	AC	AF	BA	EA	
254T-256T	12.50	6.25	5.00	.69	.56	2.25	3.50	12.81	12.69	2.44	1-1/4	10.19	8.19	2.50	4.25	.62	
284T-286T	14.00	7.00	5.50	.75	.56	2.75	3.75	14.12	14.31	2.44	1-7/8	12.19	9.44	3.19	4.75	1.00	
324T-326T	15.75	8.00	6.25	.88	.69	3.12	4.00	16.10	16.42	2.44	2	14.25	10.75	4.25	5.25	1.00	
364T-366T	17.00	9.00	7.00	.88	.69	3.00	3.62	18.30	19.56	2.94	3	18.06	14.00	5.38	5.88	1.00	
404T-405T	19.00	10.00	8.00	1.12	.81	3.25	4.75	20.56	21.81	2.94	3	19.06	15.00	4.38	6.62	1.12	
444T-445T	21.00	11.00	9.00	1.12	.81	3.25	5.25	22.91	23.62	3.25	3	22.62	17.38	5.50	7.50	1.25	

FRAME	SIZE	C	BS	B	ZF	N	O	P	T	SHAFT AND KEY						WEIGHT LBS. (5)
										N-W(6)	U(3)	V	SQ.	LGTH.		
254T	22.44	5.00	11.25	---	8.25	4.25	4.00	1.625	3.75	.375	2.75	.265	2.75			
284T	24.94	5.50	13.00	---	9.50	4.88	4.00	1.625	3.75	.375	2.75	.275	3.40			
324T	23.56	5.50	13.00	---	9.50	3.50	3.25	1.625	3.00	.375	1.88	.370	3.70			
364T	23.56	5.50	13.00	---	9.50	4.88	4.62	1.875	4.38	.500	3.25	.370	4.65			
404T	27.56	6.00	14.00	---	10.50	5.50	5.25	2.125	5.00	.500	3.75	.475	5.85			
444T	28.06	6.00	14.00	---	10.50	4.00	3.75	1.875	3.50	.500	2.00	.505	5.05			
326T	27.56	6.00	14.00	---	12.00	5.50	5.25	2.125	5.00	.500	3.75	.505	5.05			
364T	28.70	6.12	14.25	---	11.25	6.12	3.88	2.375	3.50	.500	2.00	.710	7.10			
384T	29.70	6.12	14.25	---	12.25	6.12	3.88	2.375	3.50	.500	2.00	.710	7.10			
385T	29.70	6.12	14.25	---	12.25	6.12	3.88	2.375	3.50	.500	2.00	.710	7.10			
385T	29.70	6.12	14.25	---	12.25	6.12	3.88	2.375	3.50	.500	2.00	.710	7.10			
404T	34.00	6.88	16.00	---	12.25	7.62	4.25	2.125	7.00	.750	5.50	10.20	10.20			
404T	34.00	6.88	16.00	---	12.25	7.62	4.25	2.125	7.00	.750	5.50	10.20	10.20			
405T	34.00	6.88	16.00	---	13.75	7.62	4.25	2.125	7.00	.750	5.50	10.65	10.65			
405T	34.00	6.88	16.00	---	13.75	7.62	4.25	2.125	7.00	.750	5.50	10.65	10.65			
444T	39.56	8.25	19.00	---	14.50	8.94	8.50	3.375	8.25	.875	6.88	17.15	17.15			
444T	39.56	8.25	19.00	---	14.50	8.94	8.50	3.375	8.25	.875	6.88	17.15	17.15			
445T	39.56	8.25	19.00	---	16.50	8.94	8.50	3.375	8.25	.875	6.88	17.50	17.50			
445T	39.56	8.25	19.00	---	16.50	8.94	8.50	3.375	8.25	.875	6.88	17.50	17.50			
445T	39.56	8.25	19.00	---	16.50	8.94	8.50	3.375	8.25	.875	6.88	17.50	17.50			
445T	39.56	8.25	19.00	---	16.50	8.94	8.50	3.375	8.25	.875	6.88	17.50	17.50			

- (1) SPECIAL DIMENSIONS APPLYING TO THIS ORDER ON THIS LINE.
 - (2) "D" VARIES [290T - 320T +.00, -.03.
 - (3) "U" VARIES +.000, -.001
 - (4) ALL FRAMES HAVE EIGHT MOUNTING HOLES FOR DUAL MOUNTING.
 - (5) MOTOR WEIGHTS MAY VARY BY 15% DEPENDING UPON RATING.
- CONDUIT BOX LOCATED ON OPPOSITE SIDE WHEN F-2-W-1, W-4-W-5-W-7, OR C-1 MOUNTING IS SPECIFIED.
- IF MOUNTING CLEARANCE DETAILS ARE REQUIRED, CONSULT FACTORY.
- MAXIMUM PERMISSIBLE SHAFT RUNOUT WHEN MEASURED AT END OF STD. SHAFT EXTENSION IS .002 T.I.R. UP TO AND INCLUDING 1.625 DIA. AND .005 T.I.R. ABOVE 1.625 TO 5 INCH DIA.

FRAMES: N--W VARIES +.00, -.25; PE--
 ORDER: ITEM-- HP-- CERTIFIED FOR-- RPM-- PH-- HZ VOLTS
 SALES ORDER-- APPROVED BY-- DATE

100-057119

CUSTOMER IS RESPONSIBLE FOR DETERMINING THAT BALDOR'S PRODUCT WILL PERFORM SUITABLY IN THE INTENDED APPLICATION.

REV. DESC: ASSIGNED TO BUSLOAD	VERSION: 01	TDR: 000000489455
REV. LTR: A	REVISED: 15:03:33 02/02/2009	BY: RAG2JR
FILE: \RAG\00008\297		
MTL: -		

Baldor • Dodge • Reliance

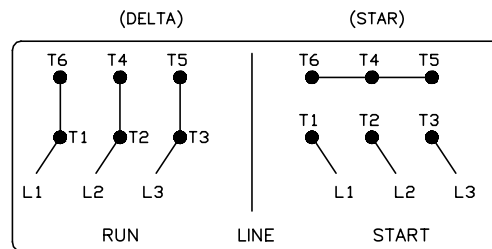
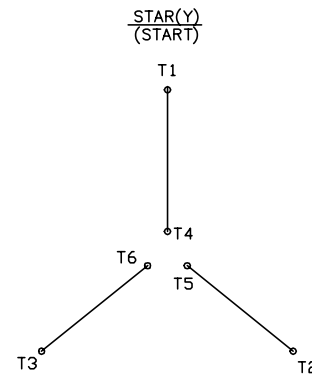
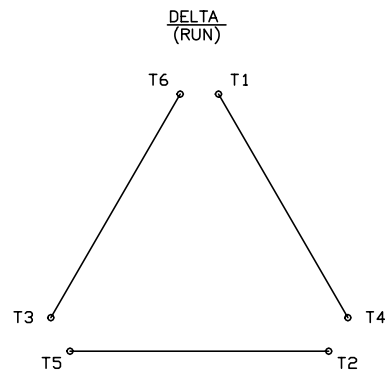
DIM SHT PROT SV FT 250-440T
SH 1 of 1

416820-008

A-C MOTOR CONNECTION DIAGRAM

STANDARD 6 LEAD

Y START - DELTA RUN



< N. P. 1767-DC >

416820-008

REV. DESC: ADDED T4 TO Y CONNECT DIAGRAM		
REV. LTR: D	VERSION: 04	TDR: 000000847713
FILE: \RAG\00001\808	REVISED: 10: 41: 26 04/08/2014	BY: RAGJSS1
MTL: -	Ⓢ □	



CONNECT DIAGRAM STD 6 LEAD Y START DELTA RUN

SH 1 of 1

Marketing maintained PDF of MN408:

<http://www.baldor.com/support/Literature/Load.ashx/MN408?ManNumber=MN408>

Marketing maintained PDF of MN416:

<http://www.baldor.com/support/Literature/Load.ashx/MN416?ManNumber=MN416>