

BALDOR® • *RELIANCE*

Product Information Packet

EM2542T

50HP,3525RPM,3PH,60HZ,324TS,4058M,OPSB,F

Part Detail							
Revision:	F	Status:	PRD/A	Change #:		Proprietary:	No
Type:	AC	Prod. Type:	4058M	Elec. Spec:	40WGW803	CD Diagram:	CD0180
Enclosure:	OPSB	Mfg Plant:		Mech. Spec:	40E213	Layout:	40LYE213
Frame:	324TS	Mounting:	F1	Poles:	02	Created Date:	10-22-2010
Base:	RG	Rotation:	R	Insulation:	F	Eff. Date:	08-27-2015
Leads:	9#8					Replaced By:	
Literature:		Elec. Diagram:					

Nameplate NP2138L							
CAT.NO.	EM2542T	P/N		ENCLOSURE	OPSB		
SPEC.	40E213W803G1	CC	010A	FRAME	324TS	S/N	
HP	50	CLASS	F	HZ	60		
RPM	3525	PH	3	DES	B		
VOLT	230/460	KVA-CODE	G	ODE BRG	6309	DE BRG	6312
AMP	112/56	USABLE AT 208V	124				
RATING	40C AMB-CONT	GREASE	POLYREX EM				
NEMA-NOM-EFF	93	PF	90	SER.F.	1.15		
HTR-VOLTS		HTR-AMPS		MAX. SPACE HEATER TEMP.			

Parts List		
Part Number	Description	Quantity
SA205050	SA 40E213W803G1	1.000 EA
RA192297	RA 40E213W803G1	1.000 EA
S/P107-000-004	SUPER-E(284 FR. & UP)-CL PLANT,POLYREX E	1.000 EA
HA6361A01	LIFTING LUG FOR 37, 39 & 40 FRAME ZINC	2.000 EA
HA6017	CAST ADAPTER, 40,42 KOBX	1.000 EA
19XW3118A12	.31-18 X .75 HEX WASHER HEAD TAPTITE II	2.000 EA
HW1001A31	LOCKWASHER 5/16, ZINC PLT.591 OD, .319 I	2.000 EA
10CB3001	CONDUIT BOX CAST W/2.500 LEAD HOLE	1.000 EA
19XW3118A12	.31-18 X .75 HEX WASHER HEAD TAPTITE II	4.000 EA
HW1001A31	LOCKWASHER 5/16, ZINC PLT.591 OD, .319 I	4.000 EA
WD1000B16	T&B CX70TN TERMINAL	1.000 EA
51XF2520A08	SCREW, HEX SER SLT HD, ZN 1/4-20 X .50 L	1.000 EA
40EP3200A02	STD FREP OPEN 309 BRG	1.000 EA
HW5100A11	W3917-042 WVY WSHR (WB)	1.000 EA
40EP3201A01	PU ENDPLATE, MACH - OPEN - FOR 312 BRG	1.000 EA
XY3816A12	3/8-16 FINISHED NUT	8.000 EA
10CB3500	CONDUIT BOX LID, CAST	1.000 EA
51XW2520A12	.25-20 X .75, TAPTITE II, HEX WSHR SLTD	4.000 EA
HW2501H18	KEY, 1/2 SQ X 2.000	1.000 EA
LB1115N	LABEL,LIFTING DEVICE (ON ROLLS)	1.000 EA
MN416A01	TAG-INSTAL-MAINT no wire (1200/bx) 11/14	1.000 EA
HW4500A03	GREASE FITTING, .125 NPT 1610(ALEMITE) 8	1.000 EA
HW4500A20	1/8NPT SL PIPE PLUG	1.000 EA
HA4051A00	PLASTIC CAP FOR GREASE FITTING	1.000 EA

Parts List (continued)		
Part Number	Description	Quantity
MJ1000A75	GREASE, POLYREX EM EXXON (USe 4824-15A)	0.050 LB
HW4500A03	GREASE FITTING, .125 NPT 1610(ALEMITE) 8	1.000 EA
HW4500A20	1/8NPT SL PIPE PLUG	1.000 EA
HA4051A00	PLASTIC CAP FOR GREASE FITTING	1.000 EA
HA3159A08	THRUBOLT- .38-16 X 20.00 LONG STUD	4.000 EA
MG1000Y03	MUNSELL 2.53Y 6.70/ 4.60, GLOSS 20,	0.070 GA
85XU0407S04	4X1/4 U DRIVE PIN STAINLESS	4.000 EA
40AD2002B01	LEXAN BAFFLE 40 FR OPEN	1.000 EA
40AD2002B01	LEXAN BAFFLE 40 FR OPEN	1.000 EA
LB1119N	WARNING LABEL	1.000 EA
LC0181	CONNECTION LABEL	1.000 EA
NP2138L	ALUM SUPER-E UL CSA-EEV PREM CC (300	1.000 EA
40PA1000	PACKAGING GROUP	1.000 EA

Accessories		
Part Number	Description	Multiplier
40-1401	C FACE KIT 40/324-6UC TC 6312 BRG	A8

AC Induction Motor Performance Data

Record # 52622 - Typical performance - not guaranteed values

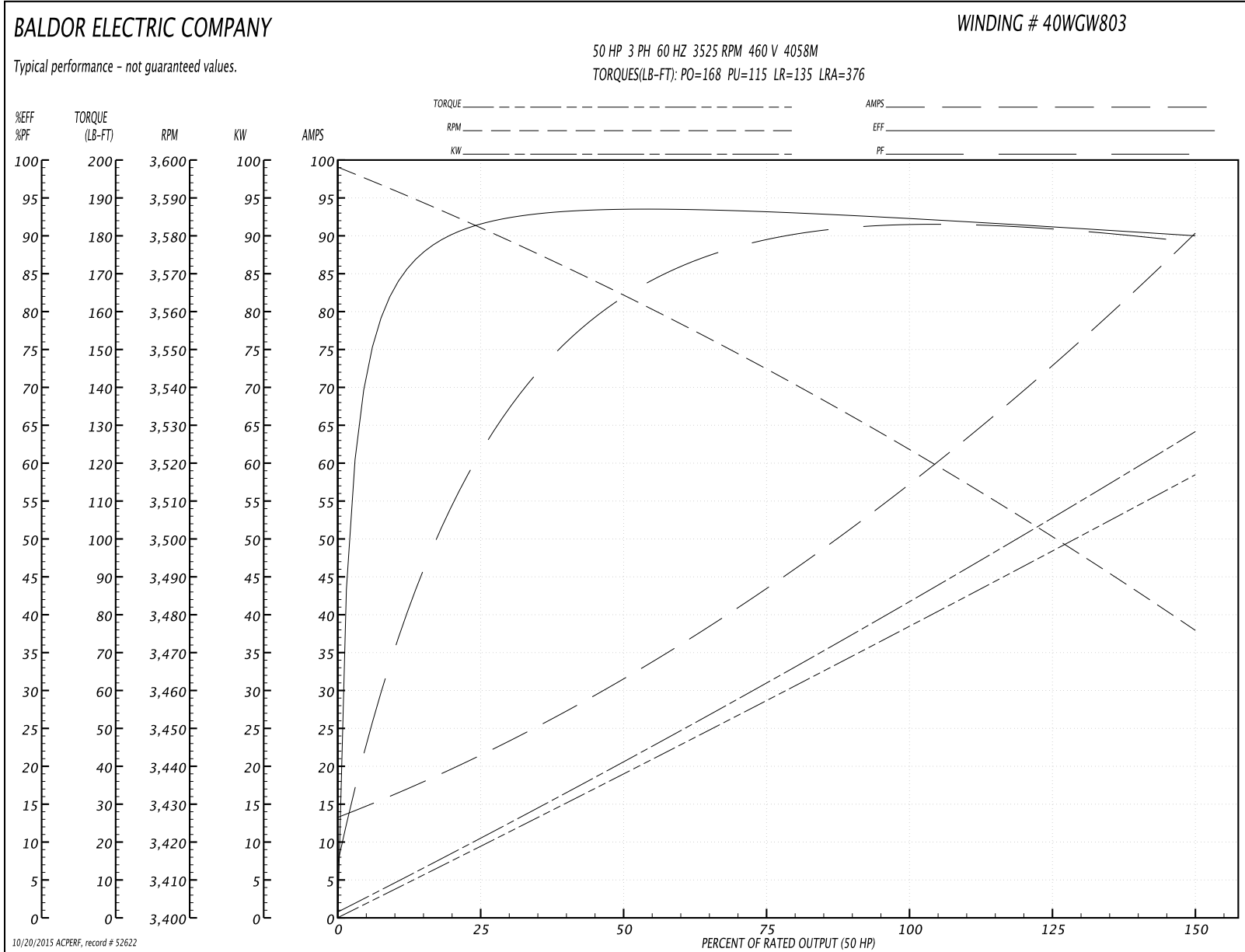
Winding: 40WGW803-R005	Type: 4058M	Enclosure: OPSB
-------------------------------	--------------------	------------------------

Nameplate Data				460 V, 60 Hz: High Voltage Connection	
Rated Output (HP)	50			Full Load Torque	74.7 LB-FT
Volts	230/460			Start Configuration	direct on line
Full Load Amps	112/56			Breakdown Torque	168 LB-FT
R.P.M.	3525			Pull-up Torque	115 LB-FT
Hz	60	Phase	3	Locked-rotor Torque	135 LB-FT
NEMA Design Code	B	KVA Code	G	Starting Current	376 A
Service Factor (S.F.)	1.15			No-load Current	14.2 A
NEMA Nom. Eff.	93	Power Factor	90	Line-line Res. @ 25°C	0.1415 Ω
Rating - Duty	40C AMB-CONT			Temp. Rise @ Rated Load	47°C
S.F. Amps				Temp. Rise @ S.F. Load	60°C
				Rotor inertia	2.49 LB-FT ²

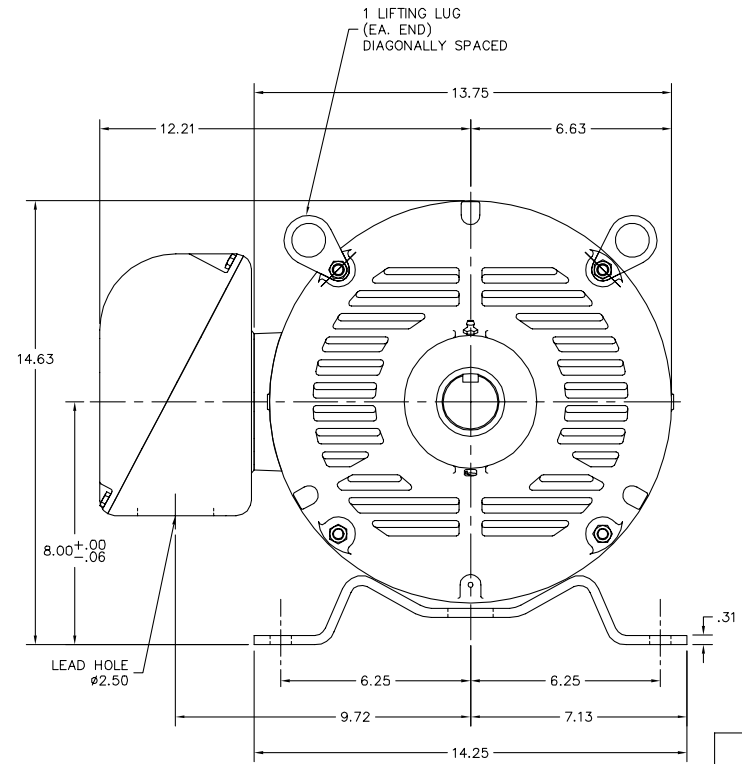
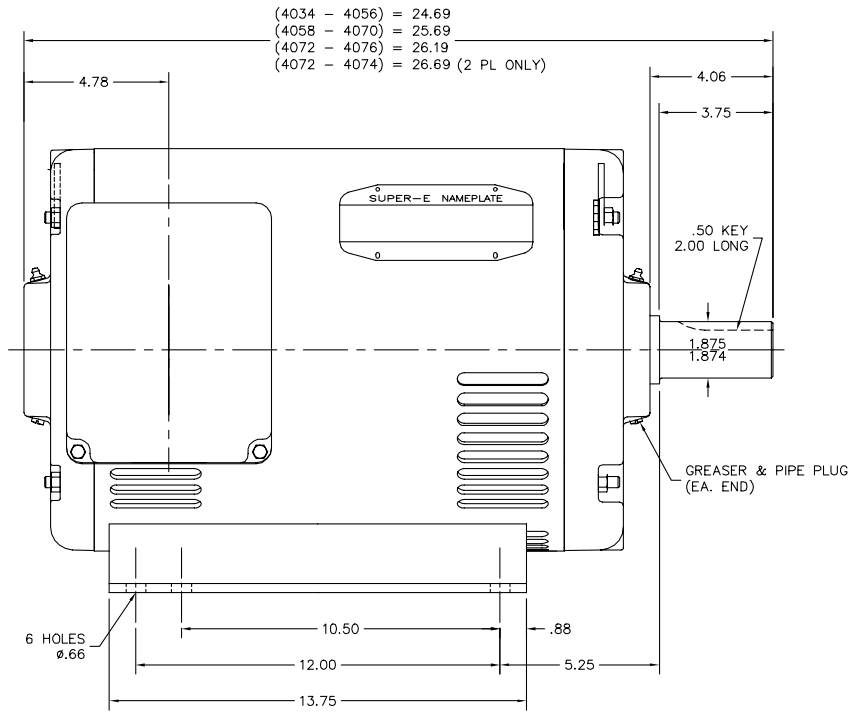
Load Characteristics 460 V, 60 Hz, 50 HP

% of Rated Load	25	50	75	100	125	150	S.F.
Power Factor	66	83	88	90	90	90	90
Efficiency	92.9	94.4	94.1	93.3	92.2	90.5	92.6
Speed	3581.7	3565.2	3545.9	3526.6	3505.2	3475.1	3514
Line amperes	20	30.4	42.8	56.3	70.7	89.9	64.9

Performance Graph at 460V, 60Hz, 50.0HP Typical performance - Not guaranteed values



40LYE213



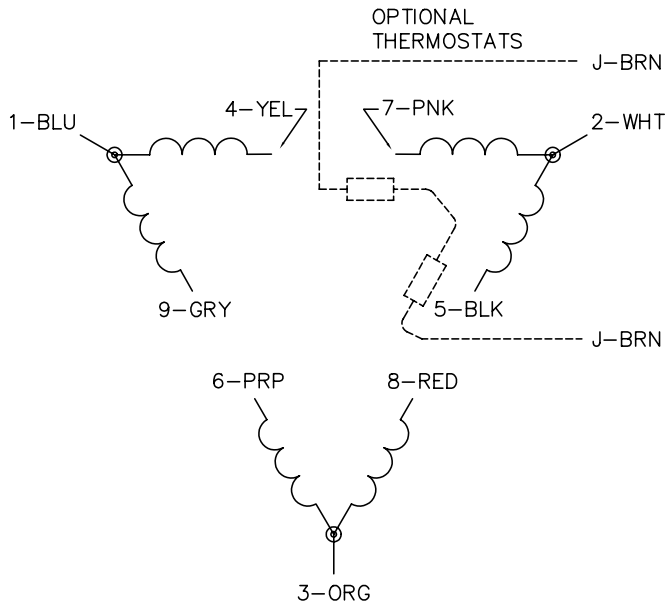
40LYE213

CUSTOMER IS RESPONSIBLE FOR DETERMINING THAT BALDOR'S PRODUCT WILL PERFORM SUITABLY IN THE INTENDED APPLICATION.

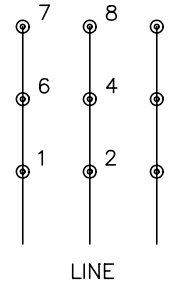
REV. DESC: UPDATED DESCRIPTION		
REV. LTR: C	VERSION: 03	TDR: 000000855149
FILE: \AAA\00163\890	REVISED: 12:35:28 05/23/2014	BY: ENNINDO
MTL: -		

BALDOR
 HORZ OPSB 324-6TS, SUPER-E
 SH 1 of 1

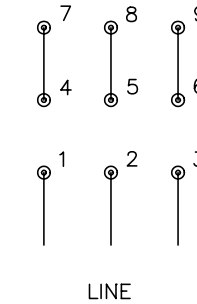
CD0180



LOW VOLTAGE
(2D)



HIGH VOLTAGE
(1D)



NOTES:

1. INTERCHANGE ANY TWO LINE LEADS TO REVERSE ROTATION.
2. OPTIONAL THERMOSTATS ARE PROVIDED WHEN SPECIFIED.
3. ACTUAL NUMBER OF INTERNAL PARALLEL CIRCUITS MAY BE A MULTIPLE OF THOSE SHOWN ABOVE.
4. LEAD COLORS ARE OPTIONAL. LEADS MUST ALWAYS BE NUMBERED AS SHOWN.

REV. DESC: REVISE TO SHOW OPTIONAL COLORS			
REV. LTR: C	BY: JLP	REVISED: 01/21/99 2:28	TDR: 0171435
0810D0		FILE: AAA00005148	MDL: -
		MTL: -	

BALDOR ELECTRIC Co.

3PH, DV, 9 LEADS, DELTA CONNECTION

CD0180