

BALDOR® • *RELIANCE*

Product Information Packet

EM2539T-8

40HP, 1770RPM, 3PH, 60HZ, 324T, 4064M, OPSB, F1

Part Detail							
Revision:	C	Status:	PRD/A	Change #:		Proprietary:	No
Type:	AC	Prod. Type:	4064M	Elec. Spec:	40WGX238	CD Diagram:	CD0695
Enclosure:	OPSB	Mfg Plant:		Mech. Spec:	40J002	Layout:	40LYJ002
Frame:	324T	Mounting:	F1	Poles:	04	Created Date:	05-14-2012
Base:	RG	Rotation:	R	Insulation:	F	Eff. Date:	11-11-2013
Leads:	6#4					Replaced By:	
Literature:		Elec. Diagram:					

Nameplate NP2138L							
CAT.NO.	EM2539T-8	P/N		ENCLOSURE	OPSB		
SPEC.	40J002X238G1	CC	010A	FRAME	324T	S/N	
HP	40	CLASS	F	HZ	60		
RPM	1770	PH	3	DES	A		
VOLT	200	KVA-CODE	H	ODE BRG	6309	DE BRG	6312
AMP	109	USABLE AT 208V					
RATING	40C AMB-CONT	GREASE	POLYREX EM				
NEMA-NOM-EFF	94.1	PF	84	SER.F.	1.15		
HTR-VOLTS		HTR-AMPS		MAX. SPACE HEATER TEMP.			

Parts List		
Part Number	Description	Quantity
SA244539	SA 40J002X238G1	1.000 EA
RA231423	RA 40J002X238G1	1.000 EA
S/P107-000-004	SUPER-E(284 FR. & UP)-CL PLANT,POLYREX E	1.000 EA
HA6361A01	LIFTING LUG FOR 37, 39 & 40 FRAME ZINC	2.000 EA
HA6017	CAST ADAPTER, 40,42 KOBX	1.000 EA
19XW3118A12	.31-18 X .75 HEX WASHER HEAD TAPTITE II	2.000 EA
HW1001A31	LOCKWASHER 5/16, ZINC PLT.591 OD, .319 I	2.000 EA
10CB3001	CONDUIT BOX CAST W/2.500 LEAD HOLE	1.000 EA
19XW3118A12	.31-18 X .75 HEX WASHER HEAD TAPTITE II	4.000 EA
HW1001A31	LOCKWASHER 5/16, ZINC PLT.591 OD, .319 I	4.000 EA
WD1000B16	T&B CX70TN TERMINAL	1.000 EA
10XN2520K08	1/4-20 X .50 GRADE #5, STL, ZINC PLATE	1.000 EA
HW1001A25	LOCKWASHER 1/4, ZINC PLT .493 OD, .255 I	1.000 EA
40EP3200A02	STD FREP OPEN 309 BRG	1.000 EA
HW5100A11	W3917-042 WVY WSHR (WB)	1.000 EA
40EP3201A01	PU ENDPLATE, MACH - OPEN - FOR 312 BRG	1.000 EA
XY3816A12	3/8-16 FINISHED NUT	4.000 EA
10CB3500	CONDUIT BOX LID, CAST	1.000 EA
51XW2520A12	.25-20 X .75, TAPTITE II, HEX WSHR SLTD	4.000 EA
HW2501H33	KEY, 1/2 SQ X 3.875	1.000 EA
LB1115N	LABEL,LIFTING DEVICE (ON ROLLS)	1.000 EA
MN416A01	TAG-INSTAL-MAINT no wire (1200/bx) 11/14	1.000 EA
HA4051A00	PLASTIC CAP FOR GREASE FITTING	1.000 EA
HW4500A03	GREASE FITTING, .125 NPT 1610(ALEMITE) 8	1.000 EA

Parts List (continued)		
Part Number	Description	Quantity
HW4500A20	1/8NPT SL PIPE PLUG	1.000 EA
MJ1000A75	GREASE, POLYREX EM EXXON (USe 4824-15A)	0.050 LB
HW4500A03	GREASE FITTING, .125 NPT 1610(ALEMITE) 8	1.000 EA
HW4500A20	1/8NPT SL PIPE PLUG	1.000 EA
HA4051A00	PLASTIC CAP FOR GREASE FITTING	1.000 EA
MG1000Y03	MUNSELL 2.53Y 6.70/ 4.60, GLOSS 20,	0.030 GA
85XU0407A04	#4-7 X 1/4 DRIVE PIN	4.000 EA
40AD2002A01	LEXAN BAFFLE 40 FR OPEN	1.000 EA
40AD2002A01	LEXAN BAFFLE 40 FR OPEN	1.000 EA
HA3113A13	THRUBOLT 3/8-16 X 19.750 W/4.00 THD LENG	4.000 EA
LB1119N	WARNING LABEL	1.000 EA
LC0695	CONNECTION LABEL	1.000 EA
NP2138L	ALUM SUPER-E UL CSA-EEV PREM CC (300	1.000 EA
40PA1000	PACKAGING GROUP	1.000 EA

Accessories		
Part Number	Description	Multiplier
42-1300	C FACE KIT	
42EP1601A01	SP'L D-FLANGE MTD. PU. E.P. MDL.42 W/BFL	

AC Induction Motor Performance Data

Record # 38390 - Typical performance - not guaranteed values

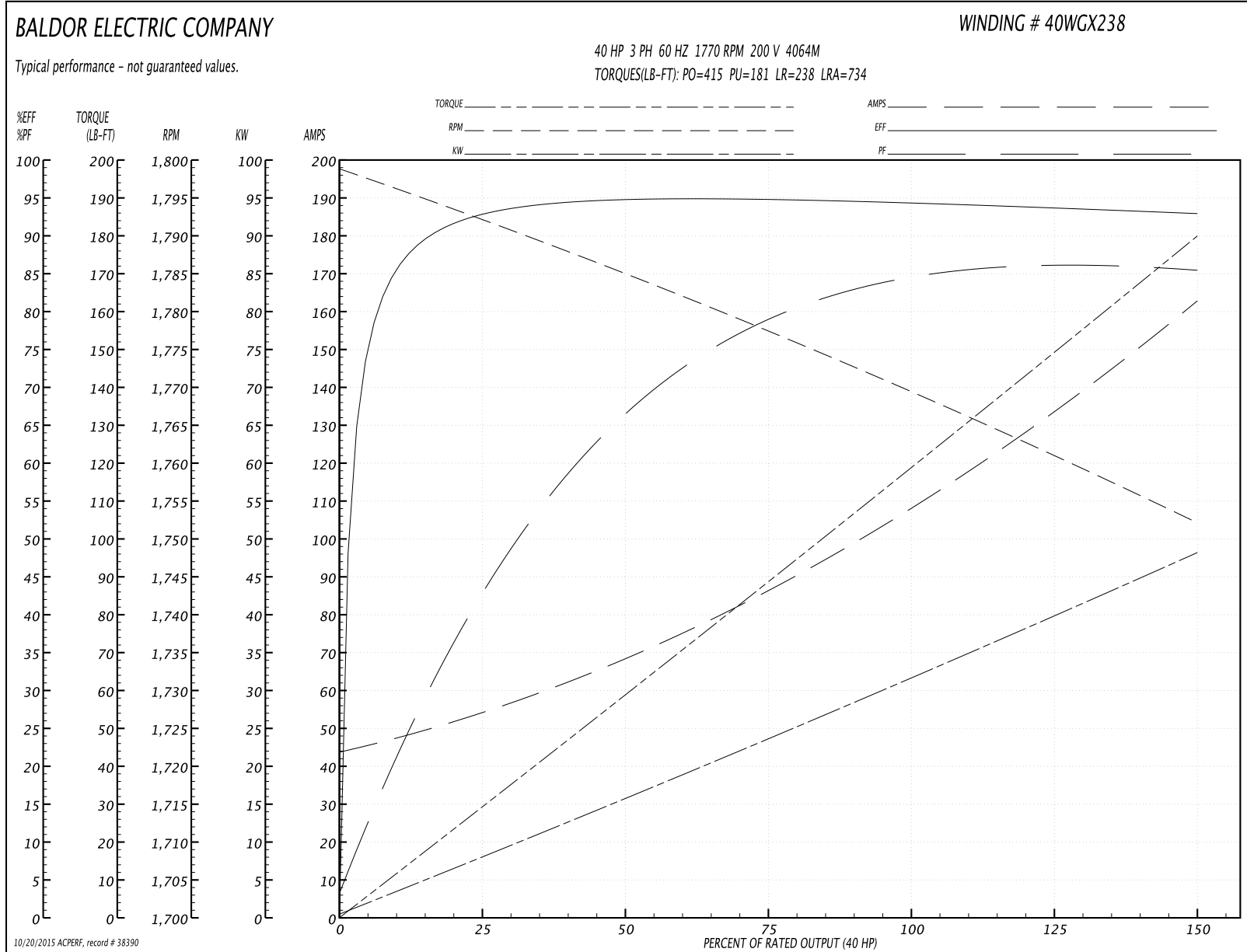
Winding: 40WGX238-R001	Type: 4064M	Enclosure: OPSB
-------------------------------	--------------------	------------------------

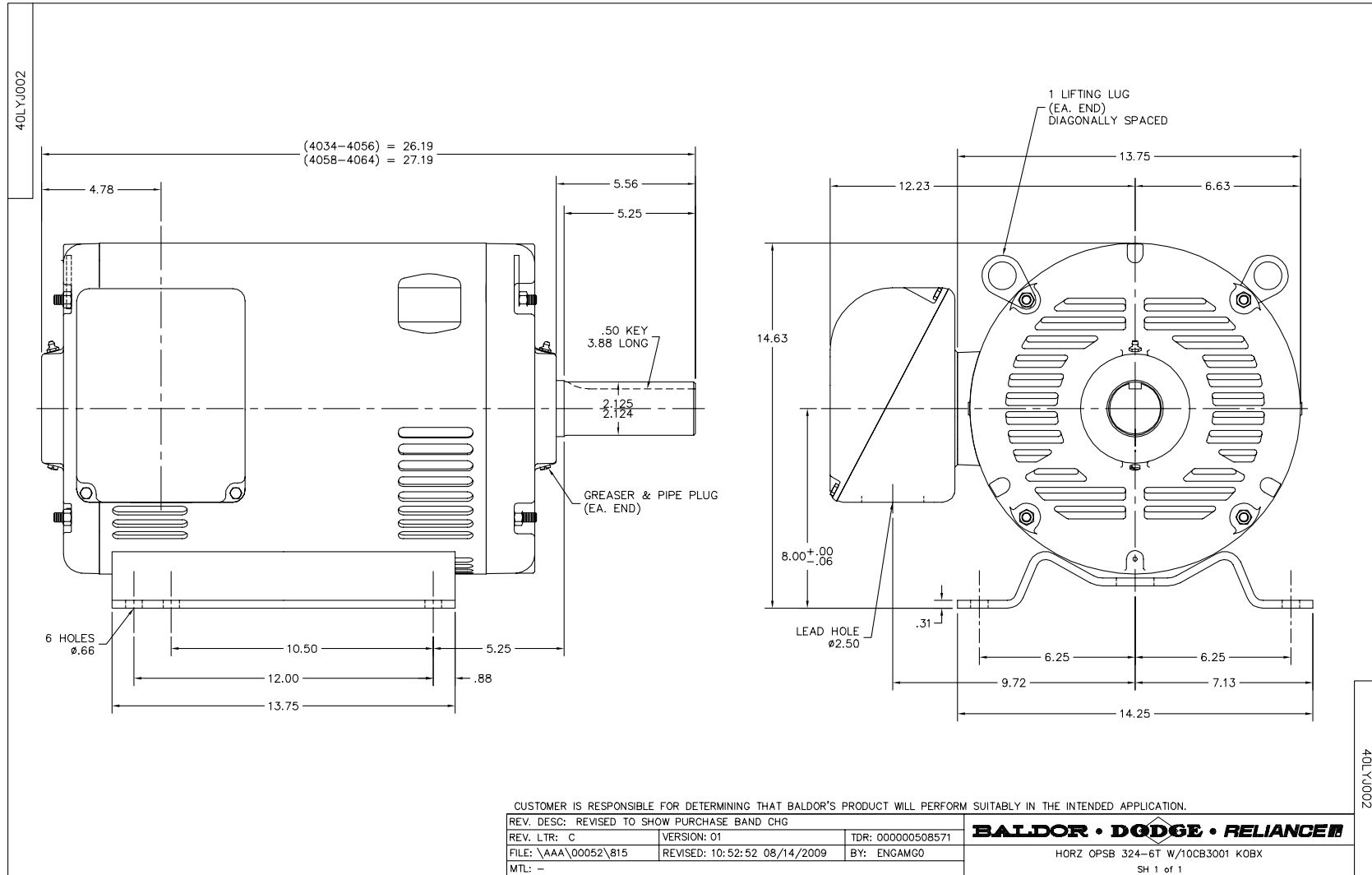
Nameplate Data				200 V, 60 Hz: Single Voltage Motor	
Rated Output (HP)	40			Full Load Torque	119 LB-FT
Volts	200			Start Configuration	direct on line
Full Load Amps	109			Breakdown Torque	415 LB-FT
R.P.M.	1770			Pull-up Torque	181 LB-FT
Hz	60	Phase	3	Locked-rotor Torque	238 LB-FT
NEMA Design Code	A	KVA Code	H	Starting Current	734 A
Service Factor (S.F.)	1.15			No-load Current	45.2 A
NEMA Nom. Eff.	94.1	Power Factor	84	Line-line Res. @ 25°C	0.03 Ω
Rating - Duty	40C AMB-CONT			Temp. Rise @ Rated Load	41°C
S.F. Amps				Temp. Rise @ S.F. Load	49°C
				Rotor inertia	5.09 LB-FT ²

Load Characteristics 200 V, 60 Hz, 40 HP

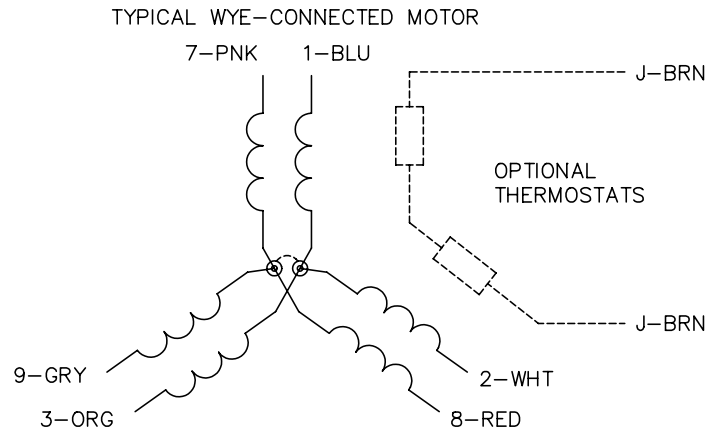
% of Rated Load	25	50	75	100	125	150	S.F.
Power Factor	44	68	78	84	86	86	85
Efficiency	92.9	94.6	94.9	94.4	93.6	93	94
Speed	1792	1785	1777	1770	1761	1752	1765
Line amperes	52.1	67.5	87.3	109	134	162	124

Performance Graph at 200V, 60Hz, 40.0HP Typical performance - Not guaranteed values

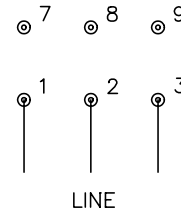




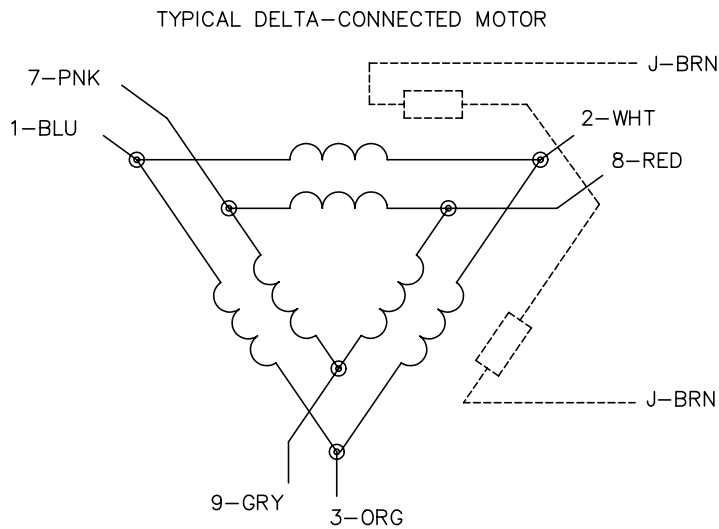
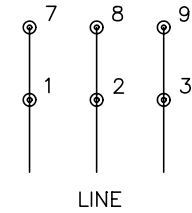
CD0695



START CONNECTION



RUN CONNECTION



NOTES:

1. MOTOR MAY BE WYE CONNECTED OR DELTA CONNECTED.
2. INTERCHANGE ANY TWO LINE LEADS TO REVERSE ROTATION.
3. OPTIONAL THERMOSTATS ARE PROVIDED WHEN SPECIFIED.
4. ACTUAL NUMBER OF INTERNAL PARALLEL CIRCUITS MAY VARY.
5. LEAD COLORS ARE OPTIONAL. LEADS MUST ALWAYS BE NUMBERED AS SHOWN.

REV. DESC: REVISE TO SHOW OPTIONAL COLORS

REV. LTR: C BY: JLP

REVISED: 01/21/99 3:19

TDR: 0171435

9690D0

FILE: AAA00005151

MDL: -

MTL: -

BALDOR ELECTRIC Co.

3PH, SV, 6 LEADS, PART WINDING START

CD0695