

BALDOR® • RELIANCE

Product Information Packet

EL3507

.75HP, 1755RPM, 1PH, 60HZ, 56, 3528LC, TEFC, F1

Part Detail							
Revision:	AP	Status:	PRD/A	Change #:		Proprietary:	No
Type:	AC	Prod. Type:	3528LC	Elec. Spec:	35WGS757	CD Diagram:	CD0055
Enclosure:	TEFC	Mfg Plant:		Mech. Spec:	35E008	Layout:	35LYE008
Frame:	56	Mounting:	F1	Poles:	04	Created Date:	
Base:	RG	Rotation:	R	Insulation:	F	Eff. Date:	09-09-2015
Leads:	6#18					Replaced By:	
Literature:		Elec. Diagram:					

Nameplate NP2116L							
CAT.NO.	EL3507						
SPEC.	35E08S757G1						
HP	.75						
VOLTS	115/208-230						
AMP	6.3/3.4-3.15						
RPM	1755						
FRAME	56	HZ	60	PH	1		
SER.F.	1.25	CODE	L	DES	N	CL	F
NEMA-NOM-EFF	82.5	PF	90				
RATING	40C AMB-CONT						
CC		USABLE AT 208V					
DE	6205	ODE	6203				
ENCL	TEFC	SN					
	SFA 7.7/4.2-3.85						

Parts List		
Part Number	Description	Quantity
SA023781	SA 35E08S757G1	1.000 EA
RA019831	RA 35E08S757G1	1.000 EA
OC3035F09SP	CYL OIL CAP 35MFD/370V	1.000 EA
EC1460A03	ELEC CAP 115V 1.8 X 3.3 CK - WESTVILLE	1.000 EA
NS2512A01	INSULATOR, CONDUIT BOX X	1.000 EA
35CB3007	35 CB CASTING W/.88 DIA. LEAD HOLE	1.000 EA
36GS1000SP	GASKET-CONDUIT BOX, .06 THICK #SV-330 LE	1.000 EA
51XB1016A07	10-16 X 7/16 HXWSSLD SERTYB	2.000 EA
11XW1032G06	10-32 X .38, TAPTITE II, HEX WSHR SLTD U	1.000 EA
35EP3100M02	FREP TEFC 203 BRG W/O GR SR (RAISED FH MT	1.000 EA
51XW0832A07	8-32 X .44, TAPTITE II, HEX WSHR SLTD SE	2.000 EA
35CB3801SP	CAPACITOR COVER, CAST	1.000 EA
NS2501A02	INSULATOR, CAPACITOR BOX	1.000 EA
HA7010	CAPACITOR RETENTION CLAMP	1.000 EA
34GS3002	GASKET, CAPACITOR BOX	1.000 EA
51XB1016A08	10-16X 1/2HXWSSLD SERTYB	2.000 EA
HW5100A03SP	WAVY WASHER (W1543-017)	1.000 EA
35EP3101A02SP	STD PU ENDPLATE-ENCL-205 BRG LESS GREASE	1.000 EA
XY1032A02	10-32 HEX NUT DIRECTIONAL SERRATION	4.000 EA
35FN3002A05SP	EXFN, PLASTIC, 6.376 OD, .638 ID	1.000 EA
SP5181A01	MODEL 35 LC TORQ STAT SWITCH LEAD ASSY	1.000 EA
51XB1214A16	12-14X1.00 HXWSSLD SERTYB	1.000 EA
35FH4005A32	IEC FH NO GR SR W/3 HOLES - W/AUTOPHERETI	1.000 EA
51XW1032A06	10-32 X .38, TAPTITE II, HEX WSHR SLTD S	3.000 EA

Parts List (continued)		
Part Number	Description	Quantity
35CB4521GX	CONDUIT BOX LID KIT	1.000 EA
51XW0832A07	8-32 X .44, TAPTITE II, HEX WSHR SLTD SE	4.000 EA
HW2501D13SP	KEY, 3/16 SQ X 1.375	1.000 EA
HA7000A04	KEY RETAINER 0.625 DIA SHAFTS	1.000 EA
85XU0407S04	4X1/4 U DRIVE PIN STAINLESS	2.000 EA
MJ1000A75	GREASE, POLYREX EM EXXON (USe 4824-15A)	0.050 LB
HA3100A38	THRUBOLT 10-32 X 9.375	4.000 EA
WD1000A15	3-520132-2 AMP FLAG (4M/RL NON-CANC/NON-	4.000 EA
MG1000Y03	MUNSELL 2.53Y 6.70/ 4.60, GLOSS 20,	0.017 GA
LC0001A01	CONN LABEL / WARNING LABEL (LC0001 / LB1	1.000 EA
NP2116L	ALUM SUPER-E UL CSA CC	1.000 EA
35PA1066	PKG GRP, PRINT PK1008A06	1.000 EA
MN416A01	TAG-INSTAL-MAINT no wire (1200/bx) 11/14	1.000 EA

Accessories		
Part Number	Description	Multiplier
35-8762	C FACE KIT	A8
35EP1506A01SP	D-FLANGE KIT	A8

AC Induction Motor Performance Data

Record # 35689 - Typical performance - not guaranteed values

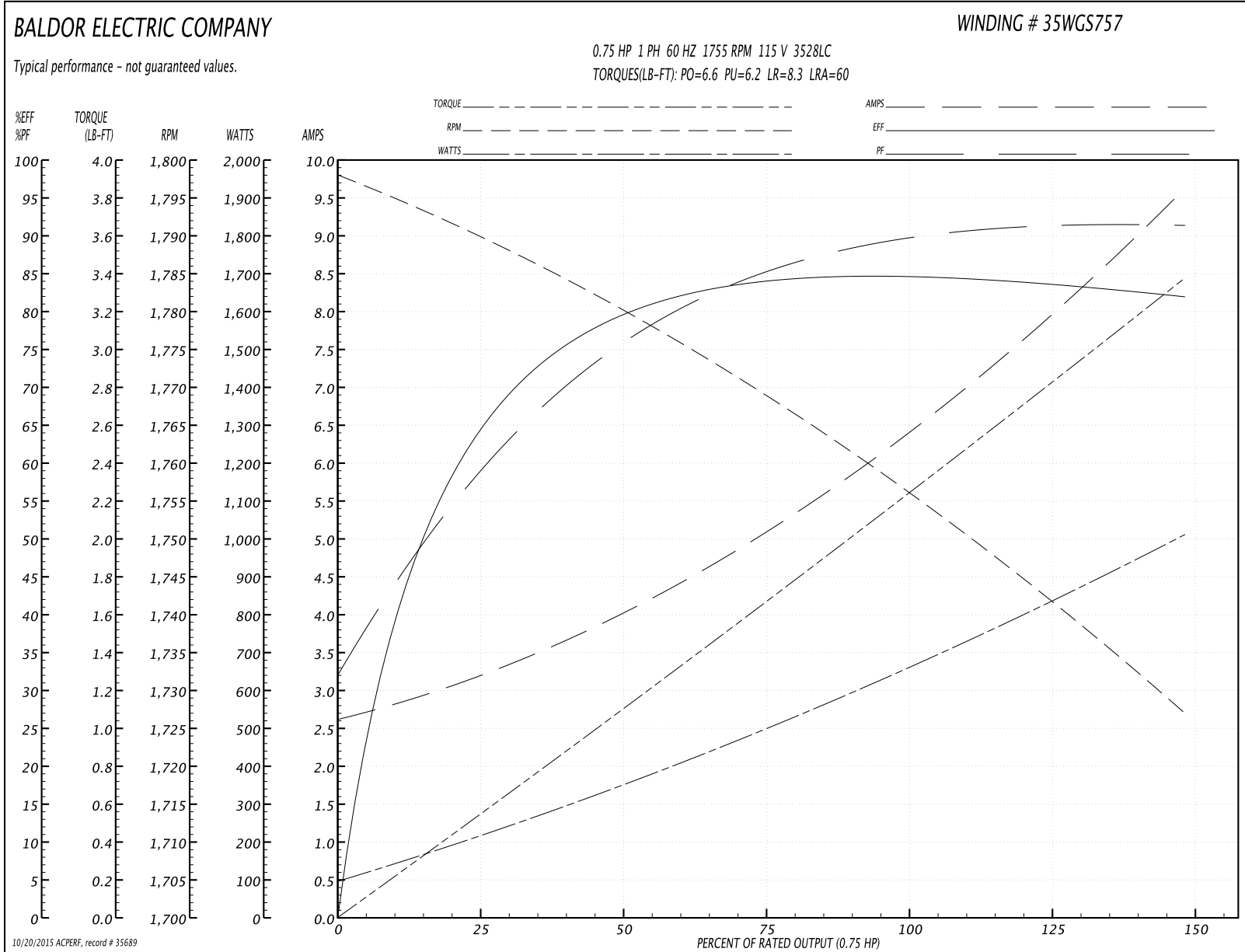
Winding: 35WGS757-R006	Type: 3528LC	Enclosure: TEFC
-------------------------------	---------------------	------------------------

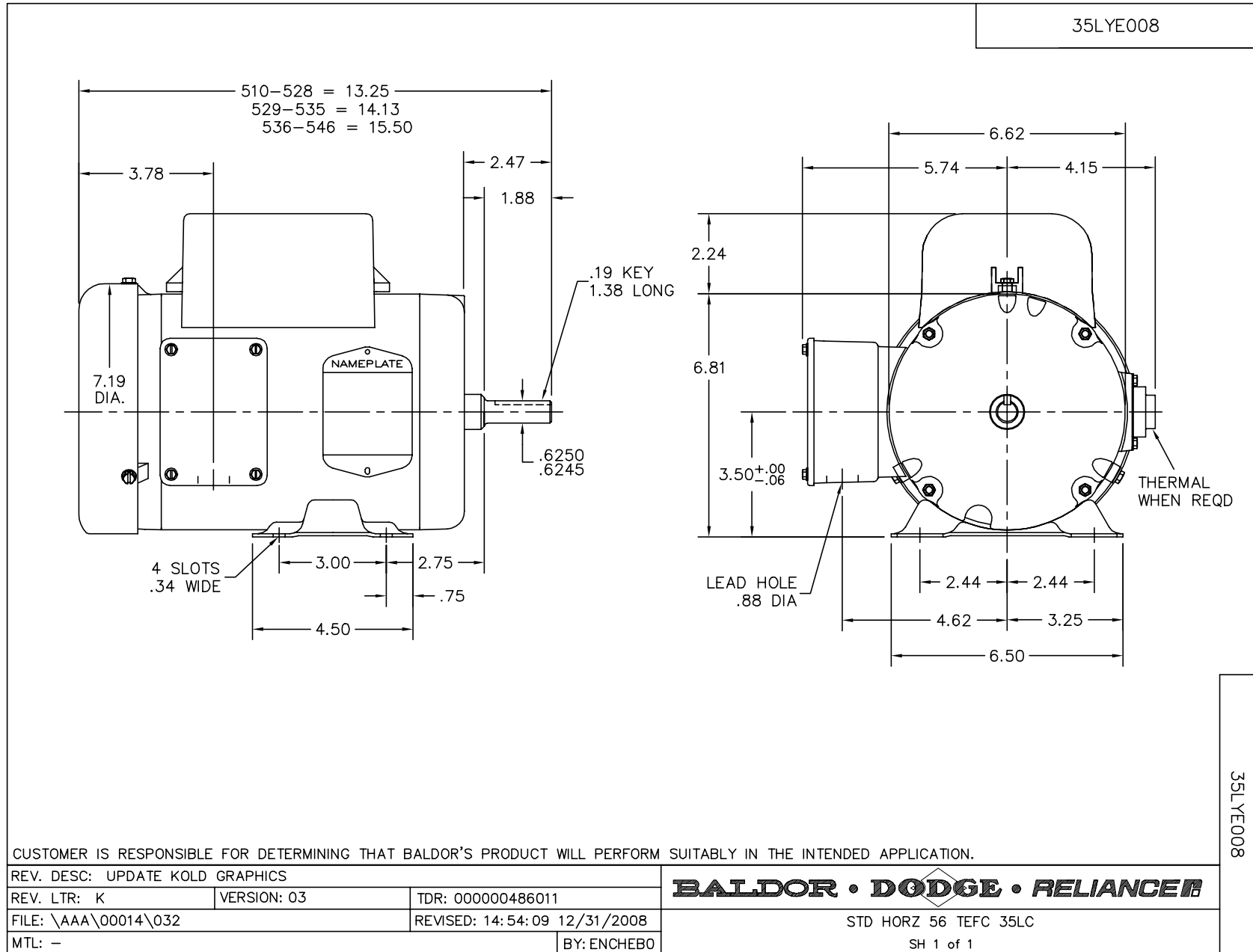
Nameplate Data				115 V, 60 Hz: Low Voltage Connection	
Rated Output (HP)	.75			Full Load Torque	2.25 LB-FT
Volts	115/208-230			Start Configuration	direct on line
Full Load Amps	6.3/3.4-3.15			Breakdown Torque	6.6 LB-FT
R.P.M.	1755			Pull-up Torque	6.2 LB-FT
Hz	60	Phase	1	Locked-rotor Torque	8.3 LB-FT
NEMA Design Code	N	KVA Code	L	Starting Current	60 A
Service Factor (S.F.)	1.25			No-load Current	2.7 A
NEMA Nom. Eff.	82.5	Power Factor	90	Line-line Res. @ 25°C	0.765 Ω A Ph 1.79 Ω B Ph
Rating - Duty	40C AMB-CONT			Temp. Rise @ Rated Load	37°C
S.F. Amps	7.7/4.2-3.85			Temp. Rise @ S.F. Load	47°C

Load Characteristics 115 V, 60 Hz, 0.75 HP

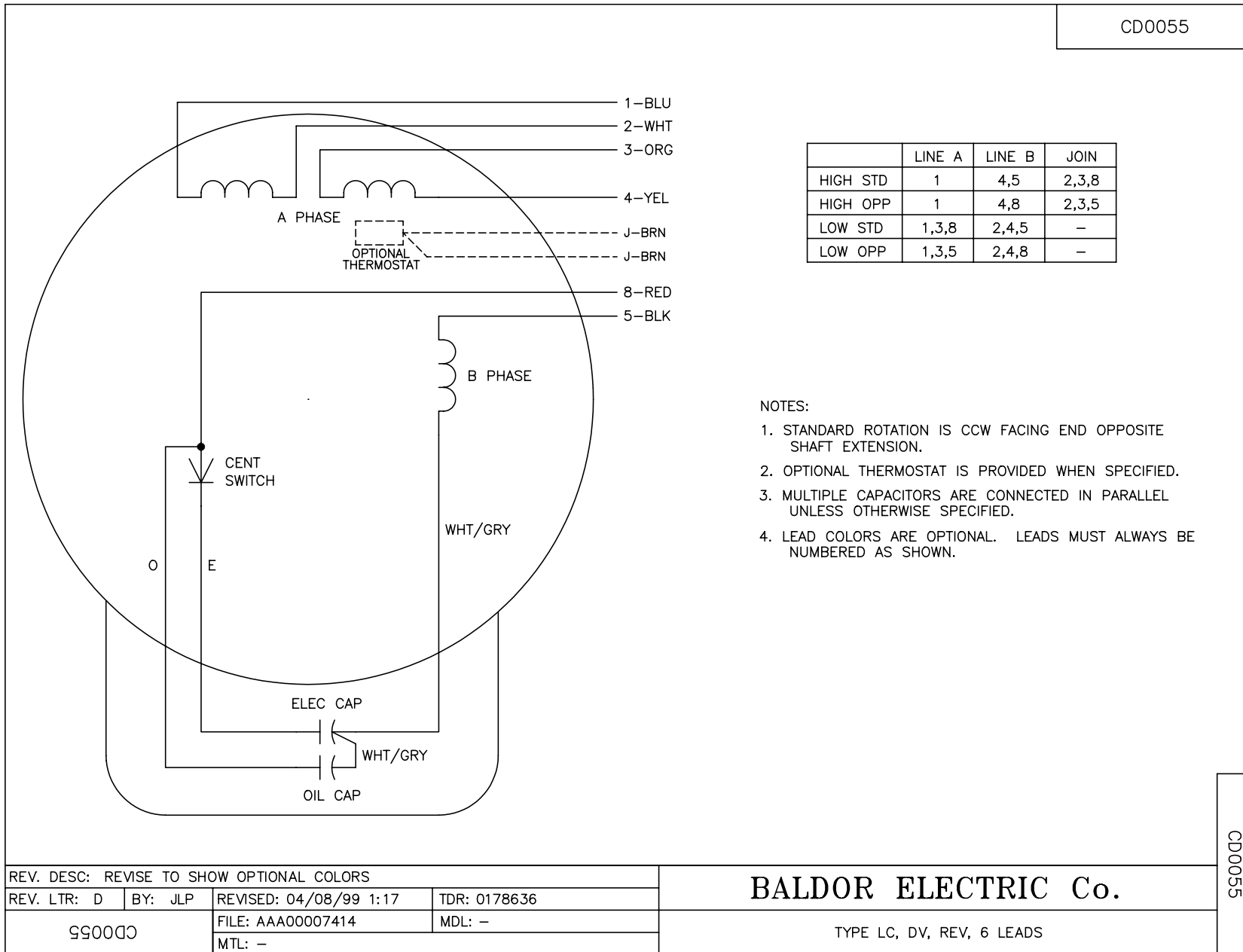
% of Rated Load	25	50	75	100	125	150	S.F.
Power Factor	60	78	85	89	92	92	92
Efficiency	66.6	79.8	83.8	84.7	83.6	82	83.6
Speed	1790	1779	1769	1756	1742	1727	1742
Line amperes	3.1	4	5.2	6.5	7.9	9.6	7.9

Performance Graph at 115V, 60Hz, 0.75HP Typical performance - Not guaranteed values





CD0055



NOTES:

1. STANDARD ROTATION IS CCW FACING END OPPOSITE SHAFT EXTENSION.
2. OPTIONAL THERMOSTAT IS PROVIDED WHEN SPECIFIED.
3. MULTIPLE CAPACITORS ARE CONNECTED IN PARALLEL UNLESS OTHERWISE SPECIFIED.
4. LEAD COLORS ARE OPTIONAL. LEADS MUST ALWAYS BE NUMBERED AS SHOWN.

CD0055

REV. DESC: REVISE TO SHOW OPTIONAL COLORS			
REV. LTR: D	BY: JLP	REVISED: 04/08/99 1:17	TDR: 0178636
99000		FILE: AAA00007414	MDL: -
		MTL: -	

BALDOR ELECTRIC Co.

TYPE LC, DV, REV, 6 LEADS