

# **BALDOR**® • **RELIANCE**

## **Product Information Packet**

### **EL3403**

**.25HP, 1745RPM, 1PH, 60HZ, 48, 3414LC, TEFC, F1**

Part Detail							
Revision:	Z	Status:	PRD/A	Change #:		Proprietary:	No
Type:	AC	Prod. Type:	3414LC	Elec. Spec:	34WGW955	CD Diagram:	CD0055
Enclosure:	TEFC	Mfg Plant:		Mech. Spec:	34G374	Layout:	34LYG374
Frame:	48	Mounting:	F1	Poles:	04	Created Date:	
Base:	RG	Rotation:	R	Insulation:	F	Eff. Date:	07-20-2015
Leads:	6#18					Replaced By:	
Literature:		Elec. Diagram:					

<b>Nameplate NP2116L</b>							
CAT.NO.	EL3403						
SPEC.	34G374W955G1						
HP	.25						
VOLTS	115/230						
AMP	2.5/1.25						
RPM	1745						
FRAME	48	HZ	60	PH	1		
SER.F.	1.35	CODE	K	DES	-	CL	F
NEMA-NOM-EFF	74	PF	89				
RATING	40C AMB-CONT						
CC		USABLE AT 208V					
DE	6203	ODE	6203				
ENCL	TEFC	SN					
	SFA 3.2/1.6						

Parts List		
Part Number	Description	Quantity
SA006943	SA 34G374W955G1	1.000 EA
RA003390	RA 34G374W955G1	1.000 EA
OC3015F12SP	CYL OIL CAP 15MFD/370V	1.000 EA
EC1108A01	ELEC CAP, 108-130 MFD, 125V, 1.48D X 2.	1.000 EA
S/P107-000-001	SUPER E PROC'S-FS, WS & CK PLTS	1.000 EA
NS2512A01	INSULATOR, CONDUIT BOX X	1.000 EA
34CB3002A	CB CAST W/.88 DIA HOLE	1.000 EA
34GS1029A01	GASKET, CONDUIT BOX	1.000 EA
51XB1016A07	10-16 X 7/16 HXWSSLD SERTYB	2.000 EA
11XW1032G06	10-32 X .38, TAPTITE II, HEX WSHR SLTD U	1.000 EA
51XW0832A07	8-32 X .44, TAPTITE II, HEX WSHR SLTD SE	2.000 EA
34EP3102A01SP	FR ENDPLATE, MACH	1.000 EA
34CB3801	CAPACITOR BOX, DIE CAST	1.000 EA
34GS3002	GASKET, CAPACITOR BOX	1.000 EA
NS2501A02	INSULATOR, CAPACITOR BOX	1.000 EA
34GS5003A01	FOAM SLEEVE, ID = 2 1/16" X 4 3/8"	1.000 EA
51XB1214A08	12-14 X 1/2HX WS SL SR TYBX	2.000 EA
HW5100A03SP	WAVY WASHER (W1543-017)	1.000 EA
34EP3102A02SP	FR/PU ENDPLATE, MACH	1.000 EA
XY1032A02	10-32 HEX NUT DIRECTIONAL SERRATION	4.000 EA
34FN3002A01SP	EXTERNAL FAN, PLASTIC, .637/.639 HUB W/	1.000 EA
34FH4002A01SP	IEC FH NO GREASER	1.000 EA
51XW1032A06	10-32 X .38, TAPTITE II, HEX WSHR SLTD S	3.000 EA
34CB4517	CB LID 4 MTG HOLES .22 DIA STAMPED, FOR	1.000 EA

<b>Parts List (continued)</b>		
<b>Part Number</b>	<b>Description</b>	<b>Quantity</b>
34GS1031A01	GASKET, FLAT CONDUIT BOX LID (LEXIDE)	1.000 EA
51XW0832A07	8-32 X .44, TAPTITE II, HEX WSHR SLTD SE	4.000 EA
10XF0440S02	04-40 X 1/8 TYPE F HEX HD STAINLESS STIC	2.000 EA
SP5051B17	MDL 34 TORQ STAT SW,TYPE LC, STD F1 & F2	1.000 EA
HA3100A44	THRUBOLT 10-32 X 8.000	4.000 EA
MG1000Y03	MUNSELL 2.53Y 6.70/ 4.60, GLOSS 20,	0.014 GA
MN416A01	TAG-INSTAL-MAINT no wire (1200/bx) 11/14	1.000 EA
LC0001A01	CONN LABEL / WARNING LABEL (LC0001 / LB1	1.000 EA
NP2116L	ALUM SUPER-E UL CSA CC	1.000 EA
34PA1005	PKG GRP, PRINT PK1008A06	1.000 EA

<b>Accessories</b>		
<b>Part Number</b>	<b>Description</b>	<b>Multiplier</b>
34-3900T	C-FACE KIT	A8

**AC Induction Motor Performance Data**  
Record # 20831 - Typical performance - not guaranteed values

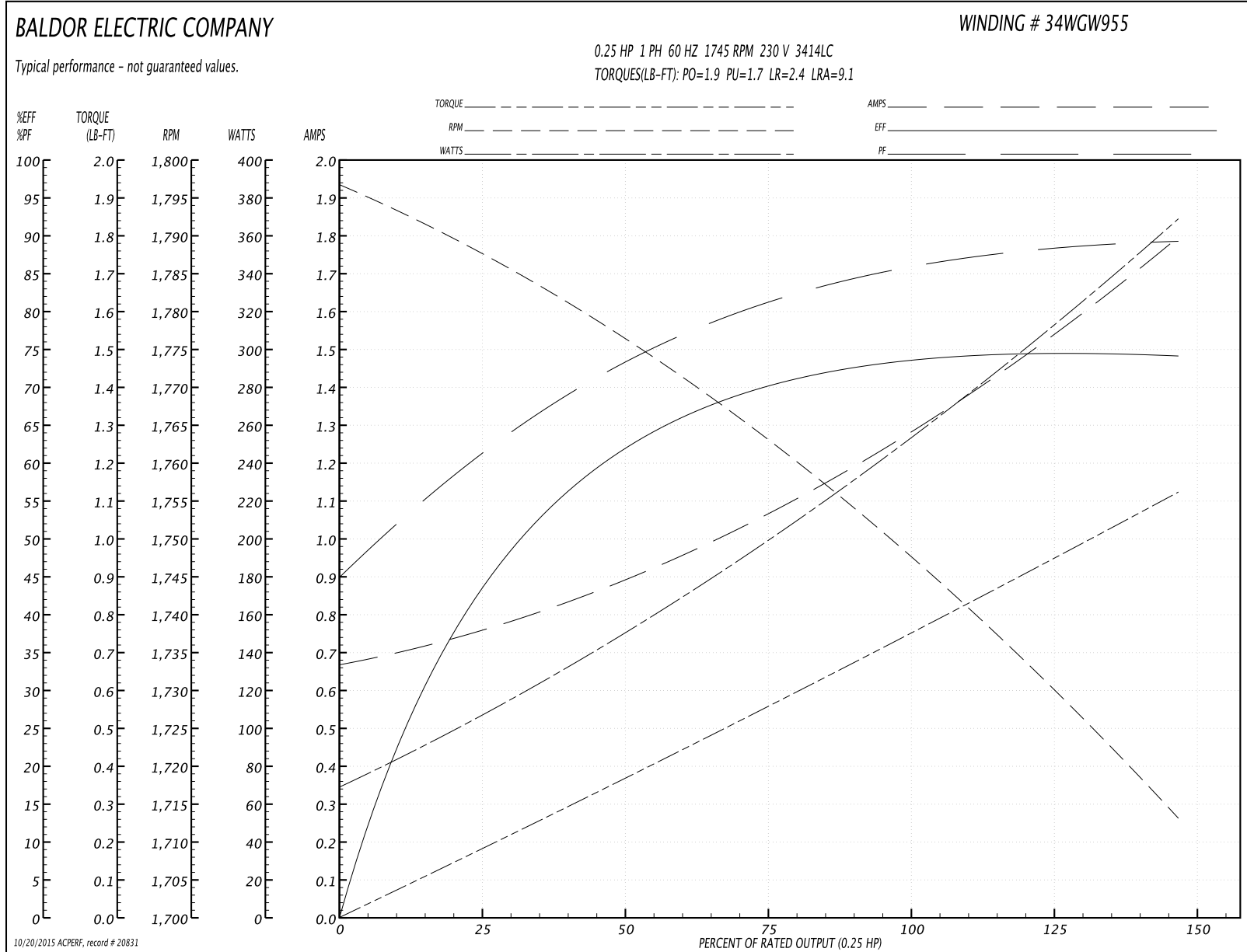
<b>Winding:</b> 34WGW955-R002	<b>Type:</b> 3414LC	<b>Enclosure:</b> TEFC
-------------------------------	---------------------	------------------------

Nameplate Data				230 V, 60 Hz: High Voltage Connection	
Rated Output (HP)	.25			Full Load Torque	0.75 LB-FT
Volts	115/230			Start Configuration	direct on line
Full Load Amps	2.5/1.25			Breakdown Torque	1.9 LB-FT
R.P.M.	1745			Pull-up Torque	1.7 LB-FT
Hz	60	Phase	1	Locked-rotor Torque	2.4 LB-FT
NEMA Design Code	-	KVA Code	K	Starting Current	9.1 A
Service Factor (S.F.)	1.35			No-load Current	0.7 A
NEMA Nom. Eff.	74	Power Factor	89	Line-line Res. @ 25°C	10.04 Ω A Ph 7.87 Ω B Ph
Rating - Duty	40C AMB-CONT			Temp. Rise @ Rated Load	27°C
S.F. Amps	3.2/1.6			Temp. Rise @ S.F. Load	34°C

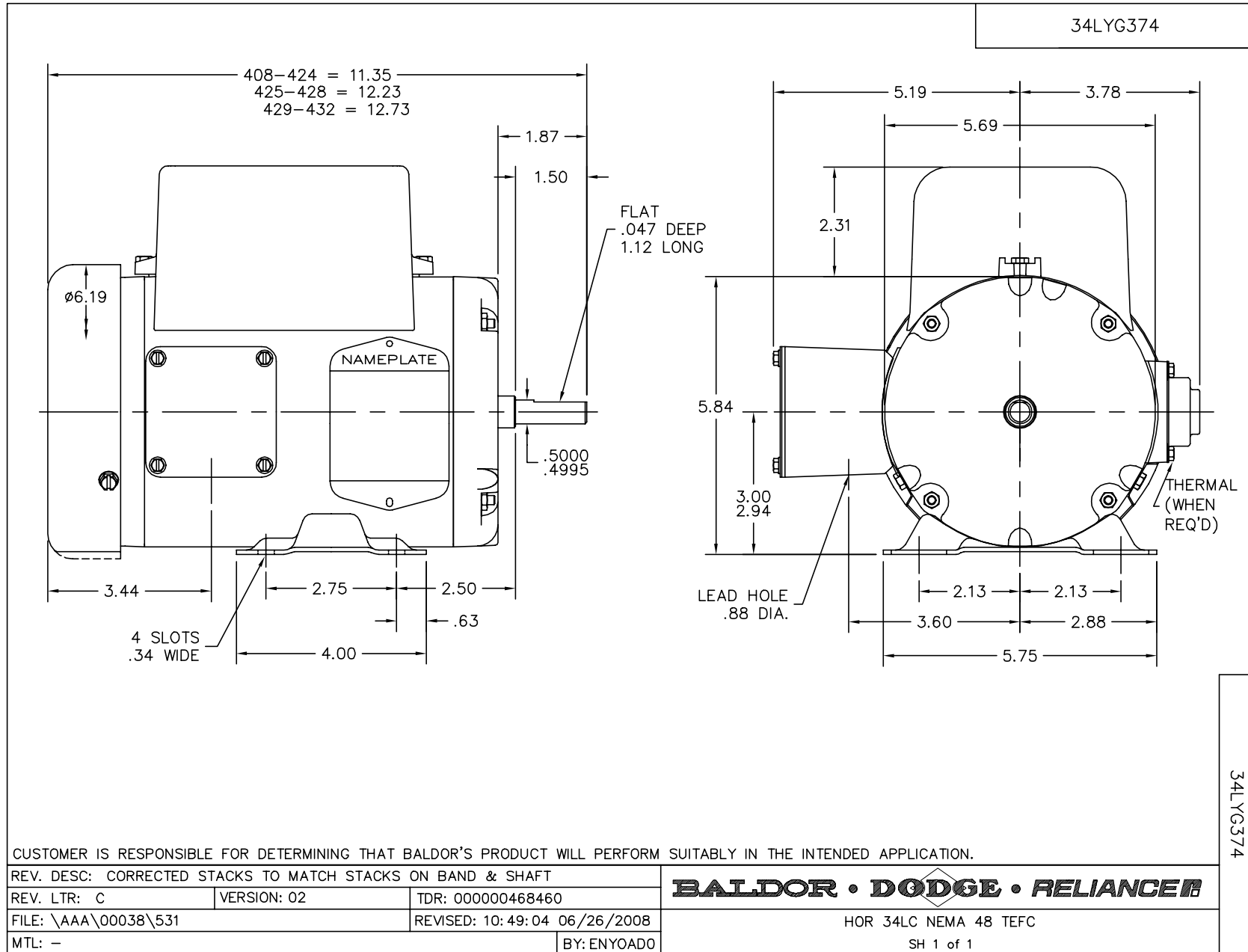
Load Characteristics 230 V, 60 Hz, 0.25 HP

% of Rated Load	25	50	75	100	125	150	S.F.
Power Factor	64	77	83	87	89	91	90
Efficiency	45.7	62.4	69.5	73.5	74.7	74.2	75.2
Speed	1786	1775	1763	1749	1732	1712	1725
Line amperes	0.7	0.9	1.1	1.3	1.5	1.8	1.6

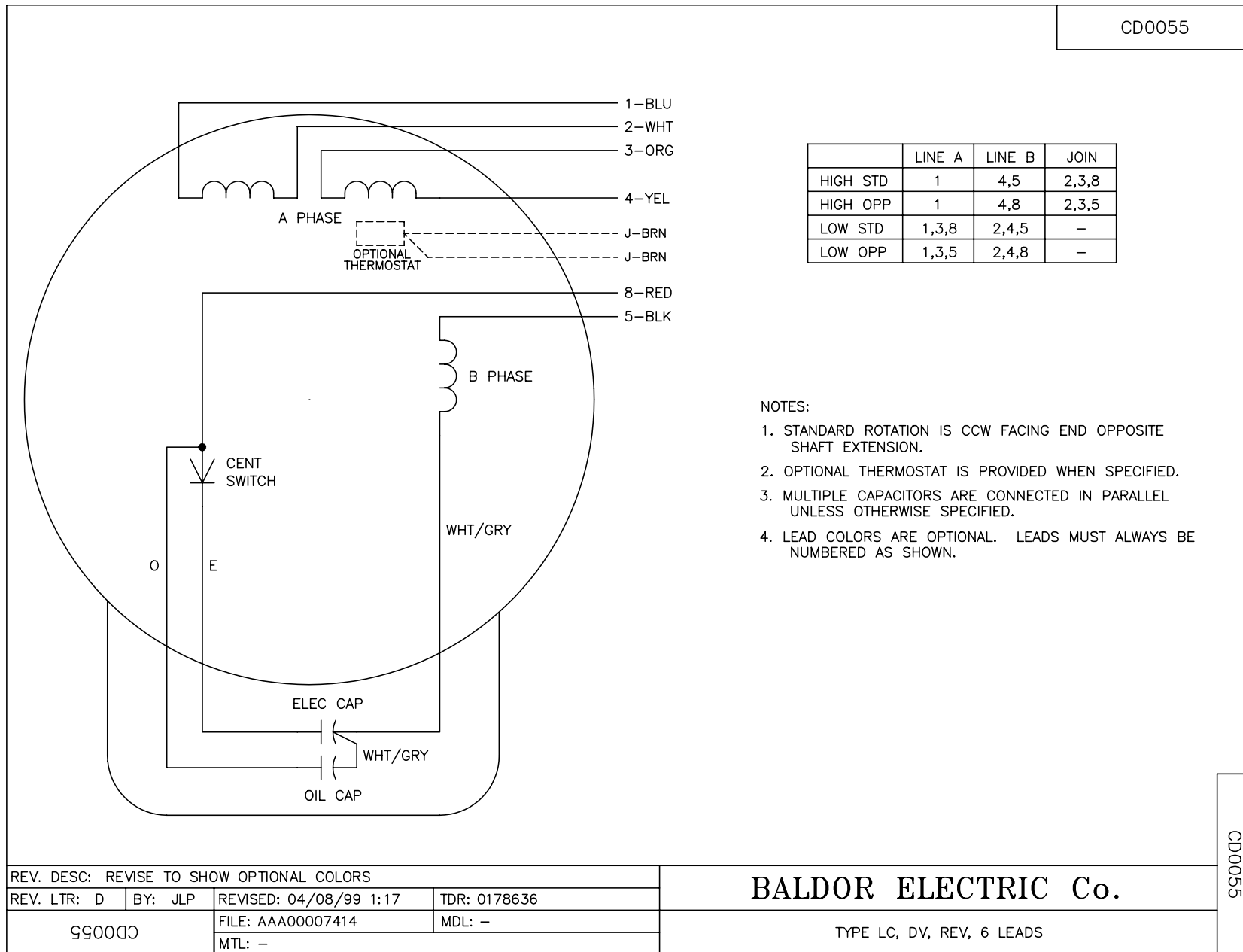
Performance Graph at 230V, 60Hz, 0.25HP Typical performance - Not guaranteed values







CD0055



REV. DESC: REVISE TO SHOW OPTIONAL COLORS			
REV. LTR: D	BY: JLP	REVISED: 04/08/99 1:17	TDR: 0178636
99000		FILE: AAA00007414	MDL: -
CD0055		MTL: -	

**BALDOR ELECTRIC Co.**

TYPE LC, DV, REV, 6 LEADS

CD0055