

BALDOR® • RELIANCE

Product Information Packet

EL1319T

1.5HP, 1755RPM, 1PH, 60HZ, 143T, 3535LC, OPEN

Part Detail							
Revision:	J	Status:	PRD/A	Change #:		Proprietary:	No
Type:	AC	Prod. Type:	3535LC	Elec. Spec:	35WGS681	CD Diagram:	CD0055
Enclosure:	OPEN	Mfg Plant:		Mech. Spec:	35EE002	Layout:	35LYEE002
Frame:	145T	Mounting:	F1	Poles:	04	Created Date:	12-21-2009
Base:	RG	Rotation:	R	Insulation:	F	Eff. Date:	09-10-2015
Leads:	6#18					Replaced By:	
Literature:		Elec. Diagram:					

Nameplate NP2116L							
CAT.NO.	EL1319T						
SPEC.	35EE002S681G1						
HP	1.5						
VOLTS	115/208-230						
AMP	12.5/6.7-6.25						
RPM	1755						
FRAME	145T	HZ	60	PH	1		
SER.F.	1.15	CODE	K	DES	L	CL	F
NEMA-NOM-EFF	82.6	PF	94				
RATING	40C AMB-CONT						
CC		USABLE AT 208V					
DE	6205	ODE	6203				
ENCL	OPEN	SN					
	SFA 14.3/7.8-7.15						

Parts List		
Part Number	Description	Quantity
SA188984	SA 35EE002S681G1	1.000 EA
RA176704	RA 35EE002S681G1	1.000 EA
OC3040F09SP	CYL OIL CAP 40MFD/370V	1.000 EA
EC1645A06SP	ELEC CAP, 645-774 MFD, 125V, 2.06D X 4.	1.000 EA
NS2512A01	INSULATOR, CONDUIT BOX X	1.000 EA
35CB3009	35 CB CASTING W/1.09 DIA. LEAD HOLE @ 6:	1.000 EA
51XB1016A07	10-16 X 7/16 HXWSSLD SERTYB	2.000 EA
11XW1032G06	10-32 X .38, TAPTITE II, HEX WSHR SLTD U	1.000 EA
35EP3201A01	STD FR ENDPLATE-OPEN-203 BRG W/GREASER	1.000 EA
HW4500A01	1641B(ALEMITE)400 UNIV, GREASE FITT	1.000 EA
51XW0832A07	8-32 X .44, TAPTITE II, HEX WSHR SLTD SE	2.000 EA
35CB3801SP	CAPACITOR COVER, CAST	1.000 EA
HA7010	CAPACITOR RETENTION CLAMP	1.000 EA
NS2501A02	INSULATOR, CAPACITOR BOX	1.000 EA
51XB1016A08	10-16X 1/2HXWSSLD SERTYB	2.000 EA
HW5100A03SP	WAVY WASHER (W1543-017)	1.000 EA
35EP3200A01	STD PU ENDPLATE-OPEN-205 BRG W/GREASER	1.000 EA
HW4500A01	1641B(ALEMITE)400 UNIV, GREASE FITT	1.000 EA
XY1032A02	10-32 HEX NUT DIRECTIONAL SERRATION	4.000 EA
35CB4521	35 LIPPED CB LID (GALV & PHOSPH)	1.000 EA
51XW0832A07	8-32 X .44, TAPTITE II, HEX WSHR SLTD SE	4.000 EA
HW2501D13SP	KEY, 3/16 SQ X 1.375	1.000 EA
HA7000A01	KEY RETAINER 7/8" DIA SHAFT	1.000 EA
85XU0407S04	4X1/4 U DRIVE PIN STAINLESS	2.000 EA

Parts List (continued)		
Part Number	Description	Quantity
MJ1000A75	GREASE, POLYREX EM EXXON (USe 4824-15A)	0.050 LB
SP5181A01	MODEL 35 LC TORQ STAT SWITCH LEAD ASSY	1.000 EA
WD1000A15	3-520132-2 AMP FLAG (4M/RL NON-CANC/NON-	4.000 EA
HA3100A22	THRUBOLT 10-32 X 10.125	4.000 EA
MG1000Y03	MUNSELL 2.53Y 6.70/ 4.60, GLOSS 20,	0.017 GA
LC0001A01	CONN LABEL / WARNING LABEL (LC0001 / LB1	1.000 EA
MN416A01	TAG-INSTAL-MAINT no wire (1200/bx) 11/14	1.000 EA
NP2116L	ALUM SUPER-E UL CSA CC	1.000 EA
35PA1066	PKG GRP, PRINT PK1008A06	1.000 EA

Accessories		
Part Number	Description	Multiplier
35-8764	C FACE KIT	A8
35EP1506A01SP	D-FLANGE KIT	A8

AC Induction Motor Performance Data

Record # 35688 - Typical performance - not guaranteed values

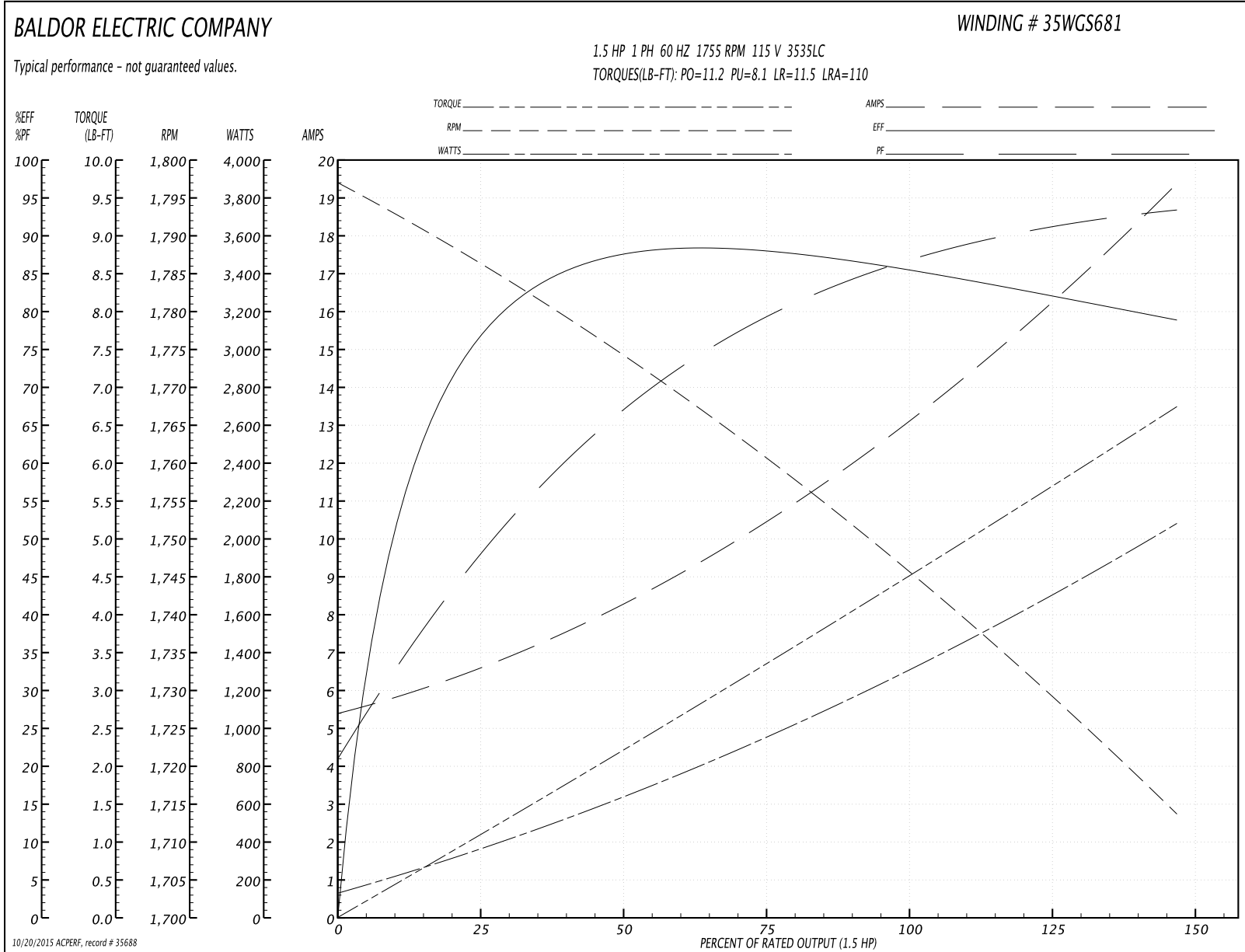
Winding: 35WGS681-R006	Type: 3535LC	Enclosure: OPEN
-------------------------------	---------------------	------------------------

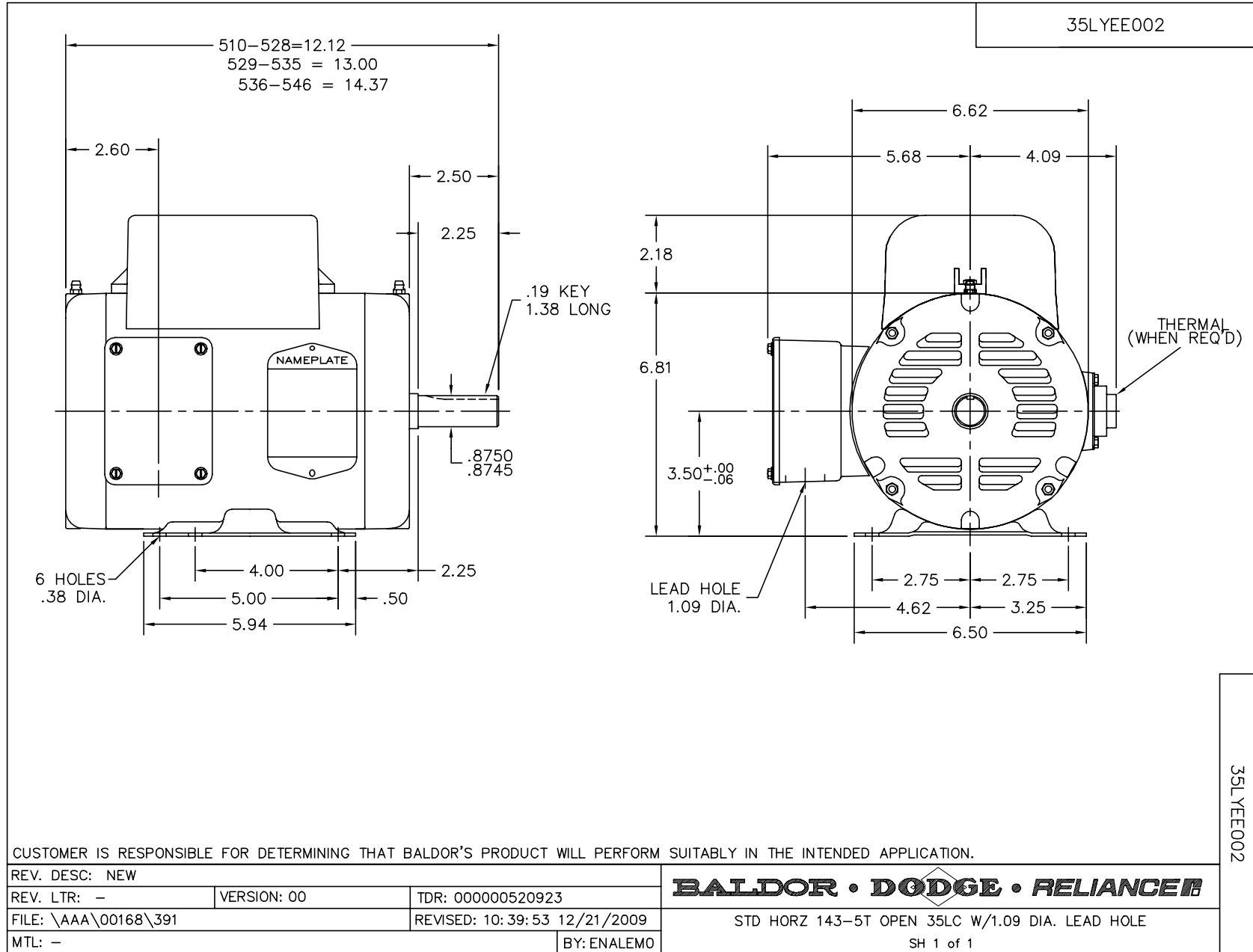
Nameplate Data				115 V, 60 Hz: Low Voltage Connection	
Rated Output (HP)	1.5			Full Load Torque	4.5 LB-FT
Volts	115/208-230			Start Configuration	direct on line
Full Load Amps	12.5/6.7-6.25			Breakdown Torque	11.2 LB-FT
R.P.M.	1755			Pull-up Torque	8.1 LB-FT
Hz	60	Phase	1	Locked-rotor Torque	11.5 LB-FT
NEMA Design Code	L	KVA Code	K	Starting Current	110 A
Service Factor (S.F.)	1.15			No-load Current	5.5 A
NEMA Nom. Eff.	85.5	Power Factor	94	Line-line Res. @ 25°C	0.399 Ω A Ph 1.77 Ω B Ph
Rating - Duty	40C AMB-CONT			Temp. Rise @ Rated Load	32°C
S.F. Amps	14.3/7.8-7.15			Temp. Rise @ S.F. Load	39°C

Load Characteristics 115 V, 60 Hz, 1.5 HP

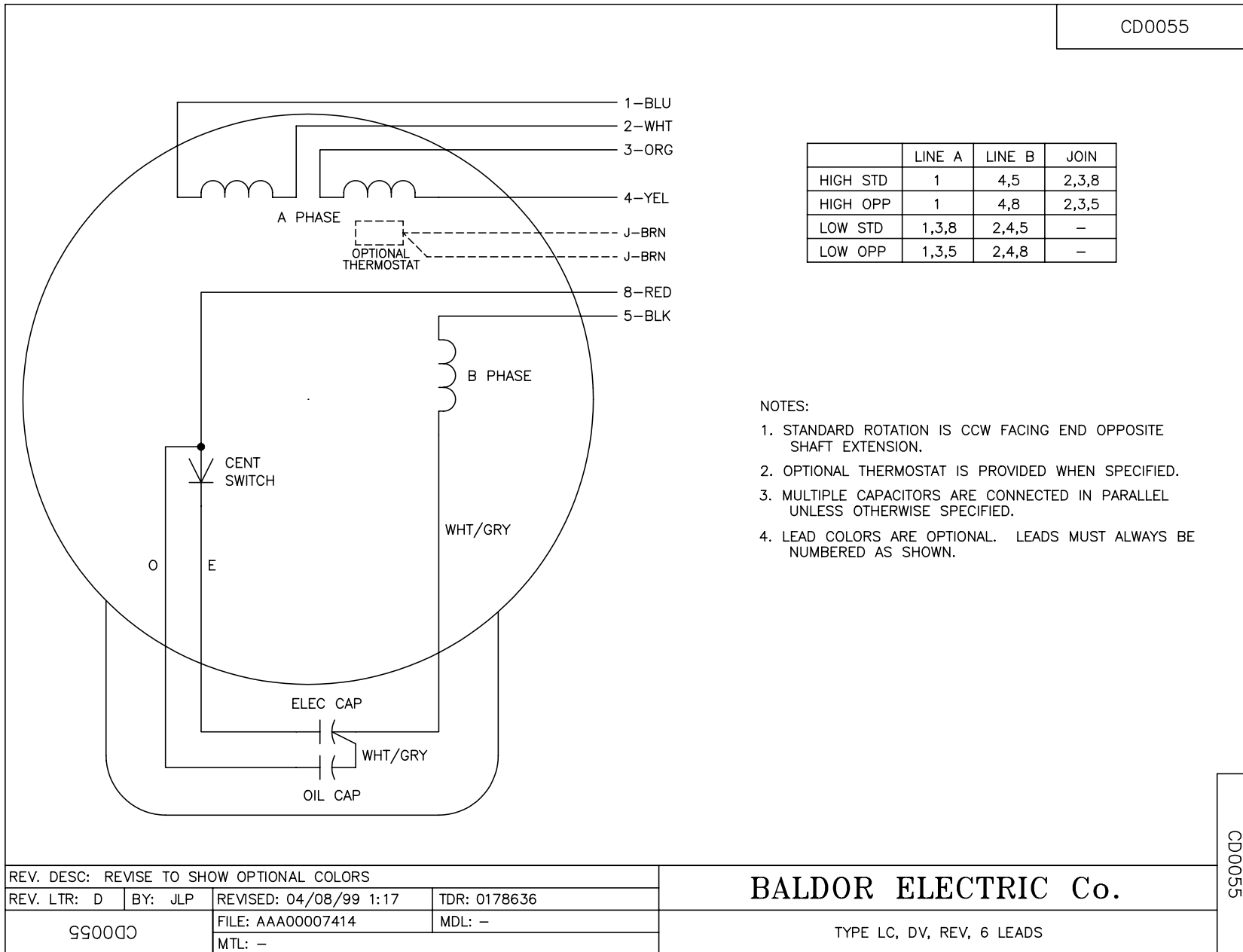
% of Rated Load	25	50	75	100	125	150	S.F.
Power Factor	50	67	79	89	89	94	89
Efficiency	79.8	84.9	86.6	86.2	84.1	78	84.9
Speed	1784	1771	1762	1749	1729	1713	1737
Line amperes	6.2	8.7	10.8	12.7	16	19.5	14.7

Performance Graph at 115V, 60Hz, 1.5HP Typical performance - Not guaranteed values





CD0055



REV. DESC: REVISE TO SHOW OPTIONAL COLORS			
REV. LTR: D	BY: JLP	REVISED: 04/08/99 1:17	TDR: 0178636
990000		FILE: AAA00007414	MDL: -
		MTL: -	

BALDOR ELECTRIC Co.

TYPE LC, DV, REV, 6 LEADS

CD0055