

BALDOR® • *RELIANCE*

Product Information Packet

EJMM4107T

25HP,3525RPM,3PH,60HZ,284JM,0946M,TEFC,F

| Part Detail | | | | | | | |
|-------------|-------|----------------|-------|-------------|----------|---------------|------------|
| Revision: | J | Status: | PRD/A | Change #: | | Proprietary: | No |
| Type: | AC | Prod. Type: | 0946M | Elec. Spec: | 09WGY147 | CD Diagram: | CD0005 |
| Enclosure: | TEFC | Mfg Plant: | | Mech. Spec: | 09F823 | Layout: | 09LYF823 |
| Frame: | 284JM | Mounting: | F1 | Poles: | 02 | Created Date: | 10-22-2010 |
| Base: | RG | Rotation: | R | Insulation: | F | Eff. Date: | 10-16-2015 |
| Leads: | 9#10 | | | | | Replaced By: | |
| Literature: | | Elec. Diagram: | | | | | |

| Nameplate NP3443L | | | | | | | |
|-------------------|--------------|----------------|------|-------------------------|------------|--------|------|
| CAT.NO. | EJMM4107T | P/N | | ENCLOSURE | TEFC | | |
| SPEC. | 09F823Y147G3 | CC | 010A | FRAME | 284JM | S/N | |
| HP | 25 | CLASS | F | HZ | 60 | | |
| RPM | 3525 | PH | 3 | DES | A | | |
| VOLT | 230/460 | KVA-CODE | J | ODE BRG | 6208 | DE BRG | 6312 |
| AMP | 58/29 | USABLE AT 208V | | | | | |
| RATING | 40C AMB-CONT | NEMA-NOM-EFF | 91.7 | GREASE | POLYREX EM | | |
| PF | 88 | SER.F. | 1.15 | | | | |
| HTR-VOLTS | | HTR-AMPS | | MAX. SPACE HEATER TEMP. | | | |

| Parts List | | |
|----------------|--|----------|
| Part Number | Description | Quantity |
| SA204978 | SA 09F823Y147G3 | 1.000 EA |
| RA192226 | RA 09F823Y147G3 | 1.000 EA |
| S/P107-000-006 | SUPER-E(284 FR. & UP)-ZK PLANT,POLYREX E | 1.000 EA |
| HW1002A63 | WASHER, 5/8 HI-COLLAR SPRLCKWASHER | 1.000 EA |
| 10CB3000SP | STD KO BOX MODEL 310,312,314 MTRS W/2.00 | 1.000 EA |
| 12GS1000SP | GASKET | 1.000 EA |
| 10XN3118K12 | 5/16-18 X .75 GRADE 5, ZINC PLATED | 4.000 EA |
| HW1001A31 | LOCKWASHER 5/16, ZINC PLT.591 OD, .319 I | 4.000 EA |
| WD1000B17 | T&B CX35TN TERMINAL | 1.000 EA |
| 11XW1032G06 | 10-32 X .38, TAPTITE II, HEX WSHR SLTD U | 1.000 EA |
| 09EP1100A14SP | ENDPLATE, MACH | 1.000 EA |
| XY3816A12 | 3/8-16 FINISHED NUT | 4.000 EA |
| HW1001A38 | LOCKWASHER 3/8, ZINC PLT .688 OD, .382 I | 4.000 EA |
| 09FH1000 | FAN COVER,CAST W/E-COAT | 1.000 EA |
| HW5100A08 | W3118-035 WVY WSHR (WB) | 1.000 EA |
| 10XN2520K28 | 1/4-20 X 1.75" HX HD SCRWGRADE 5, ZINC P | 2.000 EA |
| HW1001A25 | LOCKWASHER 1/4, ZINC PLT .493 OD, .255 I | 2.000 EA |
| 10XN3118K40 | 5/16-18 X 2.50" HEX HD, GRADE 5 | 4.000 EA |
| HW1001A31 | LOCKWASHER 5/16, ZINC PLT.591 OD, .319 I | 4.000 EA |
| 09EP1316A01 | PUEP, MACH 284-6JM; 312 BRG. | 1.000 EA |
| HA1005A06 | SLINGER, OD 3.62, ID 2.15 | 1.000 EA |
| HA3159A08 | THRUBOLT- .38-16 X 20.00 LONG STUD | 4.000 EA |
| XY3816A12 | 3/8-16 FINISHED NUT | 4.000 EA |
| HW1001A38 | LOCKWASHER 3/8, ZINC PLT .688 OD, .382 I | 4.000 EA |

| Parts List (continued) | | |
|------------------------|--|----------|
| Part Number | Description | Quantity |
| HA2081A05 | SPACER TUBE, 309 FAN HSG, 2.00 LONG | 4.000 EA |
| XY3816A12 | 3/8-16 FINISHED NUT | 4.000 EA |
| HW1001A38 | LOCKWASHER 3/8, ZINC PLT .688 OD, .382 I | 4.000 EA |
| 10CB3500 | CONDUIT BOX LID, CAST | 1.000 EA |
| 10GS1000 | GASKET, CONDUIT BOX LID | 1.000 EA |
| 51XW2520A12 | .25-20 X .75, TAPTITE II, HEX WSHR SLTD | 2.000 EA |
| HW2501E21 | KEY, 1/4 SQ X 2.375 | 1.000 EA |
| LB1115N | LABEL,LIFTING DEVICE (ON ROLLS) | 1.000 EA |
| MN416A01 | TAG-INSTAL-MAINT no wire (1200/bx) 11/14 | 1.000 EA |
| HW4500A05 | 1669B ALEM/UNIV860 GR FTG X | 1.000 EA |
| HW4500A17 | 317400 ALEMITE GREASE RELIEF | 1.000 EA |
| HA4054 | SHORT T-DRAIN FITTING, .125" N.P.T. | 1.000 EA |
| MJ1000A75 | GREASE, POLYREX EM EXXON (USe 4824-15A) | 0.080 LB |
| HW4500A03 | GREASE FITTING, .125 NPT 1610(ALEMITE) 8 | 1.000 EA |
| HW4500A17 | 317400 ALEMITE GREASE RELIEF | 1.000 EA |
| HA4054 | SHORT T-DRAIN FITTING, .125" N.P.T. | 1.000 EA |
| 37FN3002C02 | EXFN, PLASTIC, 6.00 OD, 1.500 ID | 1.000 EA |
| 51XB1214A20 | 12-14X1.25 HXWSSLD SERTYB | 1.000 EA |
| HW2500A25 | WOODRUFF KEY USA #1008 #BLOW CARBON STEE | 1.000 EA |
| MG1000Y03 | MUNSELL 2.53Y 6.70/ 4.60, GLOSS 20, | 0.050 GA |
| 85XU0407S04 | 4X1/4 U DRIVE PIN STAINLESS | 4.000 EA |
| LC0005E02 | SPL CONN.DIA./WARN.LABEL(LC0005/LB1119) | 1.000 EA |
| NP3443L | SS SUPER-E UL CSA-EEV PREM CC | 1.000 EA |
| 40PA1005 | PACKAGING GROUP, 09 STD | 1.000 EA |

AC Induction Motor Performance Data

Record # 33832 - Typical performance - not guaranteed values

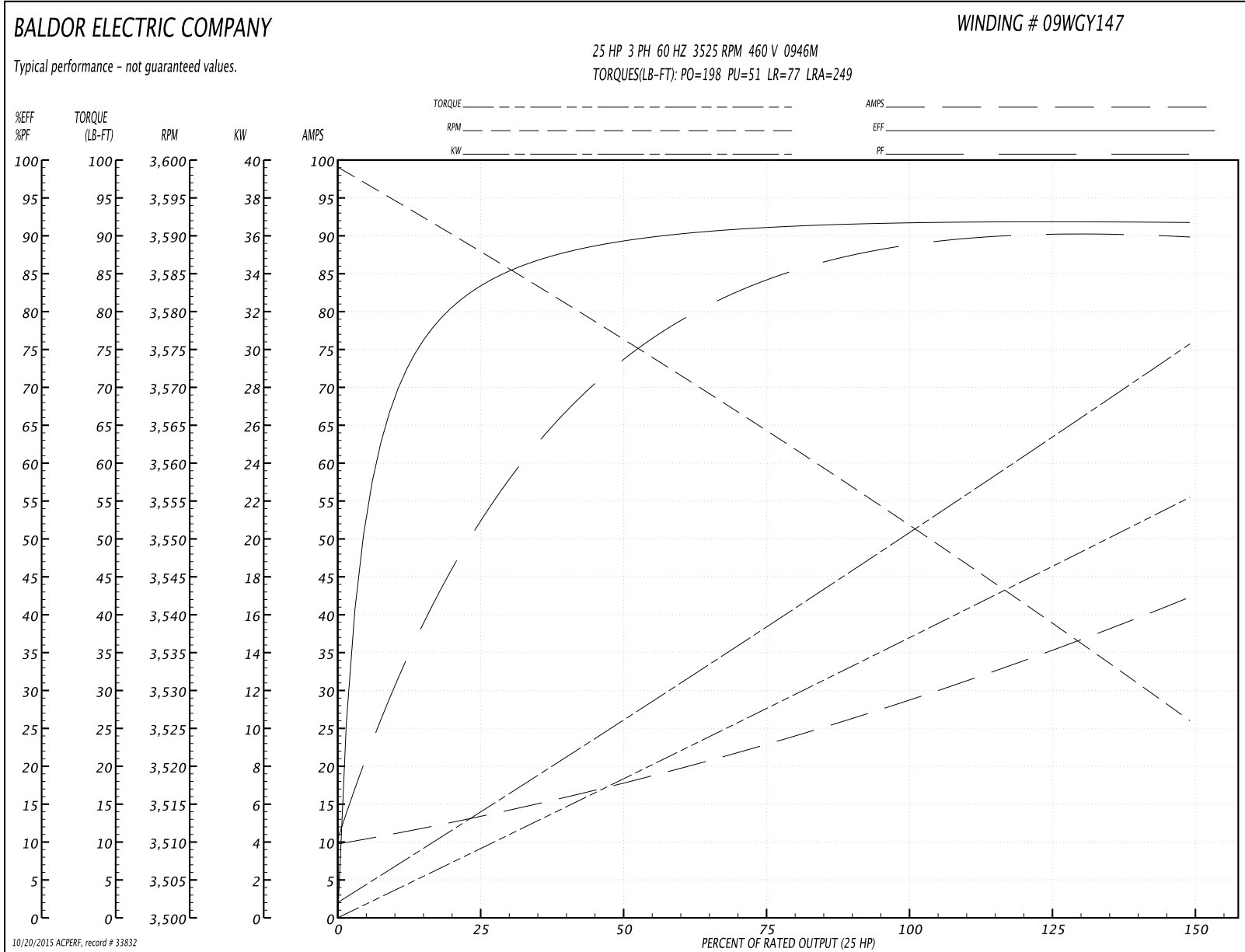
| | | |
|-------------------------------|--------------------|------------------------|
| Winding: 09WGY147-R004 | Type: 0946M | Enclosure: TEFC |
|-------------------------------|--------------------|------------------------|

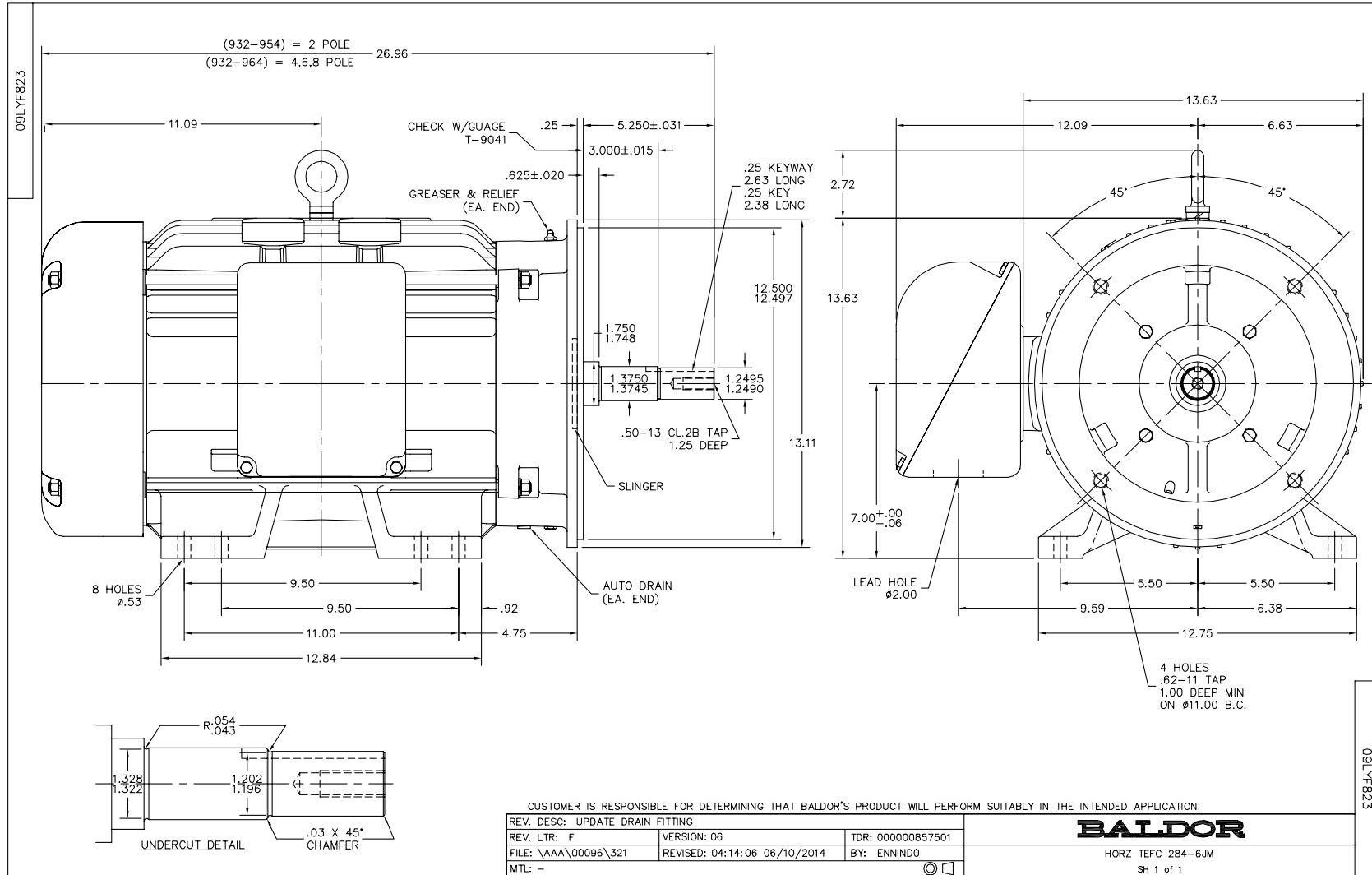
| Nameplate Data | | | | 460 V, 60 Hz: High Voltage Connection | |
|-----------------------|--------------|--------------|----|--|-------------------------|
| Rated Output (HP) | 25 | | | Full Load Torque | 37 LB-FT |
| Volts | 230/460 | | | Start Configuration | direct on line |
| Full Load Amps | 58/29 | | | Breakdown Torque | 198 LB-FT |
| R.P.M. | 3525 | | | Pull-up Torque | 51 LB-FT |
| Hz | 60 | Phase | 3 | Locked-rotor Torque | 77 LB-FT |
| NEMA Design Code | B | KVA Code | J | Starting Current | 249 A |
| Service Factor (S.F.) | 1.15 | | | No-load Current | 9.8 A |
| NEMA Nom. Eff. | 91.7 | Power Factor | 88 | Line-line Res. @ 25°C | 0.279 Ω |
| Rating - Duty | 40C AMB-CONT | | | Temp. Rise @ Rated Load | 82°C |
| S.F. Amps | | | | Temp. Rise @ S.F. Load | 92°C |
| | | | | Rotor inertia | 1.17 LB-FT ² |

Load Characteristics 460 V, 60 Hz, 25 HP

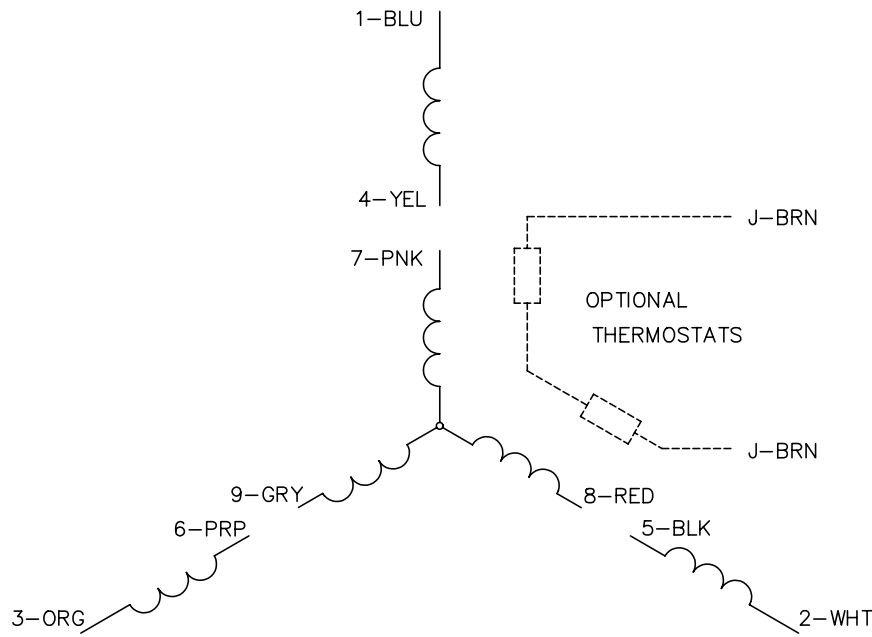
| % of Rated Load | 25 | 50 | 75 | 100 | 125 | 150 | S.F. |
|-----------------|------|------|------|------|------|------|------|
| Power Factor | 53 | 75 | 83 | 90 | 89 | 90 | 89 |
| Efficiency | 83 | 89.2 | 91.2 | 91.8 | 91.9 | 91.7 | 91.9 |
| Speed | 3588 | 3576 | 3564 | 3552 | 3539 | 3526 | 3544 |
| Line amperes | 13.4 | 17.7 | 23.2 | 28.5 | 35.5 | 42.2 | 32.7 |

Performance Graph at 460V, 60Hz, 25.0HP Typical performance - Not guaranteed values

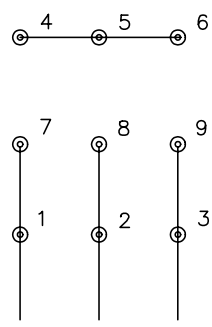




CD0005

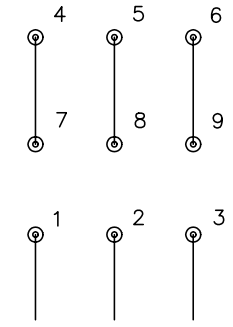


LOW VOLTAGE (2Y)



LINE

HIGH VOLTAGE (1Y)



LINE

NOTES:

1. INTERCHANGE ANY TWO LINE LEADS TO REVERSE ROTATION.
2. OPTIONAL THERMOSTATS ARE PROVIDED WHEN SPECIFIED.
3. ACTUAL NUMBER OF INTERNAL PARALLEL CIRCUITS MAY BE A MULTIPLE OF THOSE SHOWN ABOVE.
4. LEAD COLORS ARE OPTIONAL. LEADS MUST ALWAYS BE NUMBERED AS SHOWN.

| | | | |
|---|---------|-------------------------|--------------|
| REV. DESC: REVISE TO SHOW OPTIONAL COLORS | | | |
| REV. LTR: E | BY: JLP | REVISED: 01/19/99 10:15 | TDR: 0171435 |
| 900003 | | FILE: AAA00005140 | MDL: - |
| | | MTL: - | |

BALDOR ELECTRIC Co.

3PH, DV, 9 LEADS

CD0005