

BALDOR® • **RELIANCE**

Product Information Packet

EJMM3611T

3HP, 1760RPM, 3PH, 60HZ, 182JM, 3631M, TEFC, F1

| Part Detail | | | | | | | |
|-------------|-------|----------------|-------|-------------|----------|---------------|------------|
| Revision: | E | Status: | PRD/A | Change #: | | Proprietary: | No |
| Type: | AC | Prod. Type: | 3631M | Elec. Spec: | 36WGS266 | CD Diagram: | CD0005 |
| Enclosure: | TEFC | Mfg Plant: | | Mech. Spec: | 36H017 | Layout: | 36LYH017 |
| Frame: | 182JM | Mounting: | F1 | Poles: | 04 | Created Date: | 06-29-2011 |
| Base: | RG | Rotation: | R | Insulation: | F | Eff. Date: | 10-16-2015 |
| Leads: | 9#16 | | | | | Replaced By: | |
| Literature: | | Elec. Diagram: | | | | | |

| | | | | | | | |
|----------------------------|--------------|----------------|------|-----|---|----|---|
| Nameplate NP3441L | | | | | | | |
| CAT.NO. | EJMM3611T | | | | | | |
| SPEC. | 36H017S266G1 | | | | | | |
| HP | 3 | | | | | | |
| VOLTS | 230/460 | | | | | | |
| AMP | 8.4/4.2 | | | | | | |
| RPM | 1760 | | | | | | |
| FRAME | 182JM | HZ | 60 | PH | 3 | | |
| SER.F. | 1.15 | CODE | K | DES | B | CL | F |
| NEMA-NOM-EFF | 89.5 | PF | 75 | | | | |
| RATING | 40C AMB-CONT | | | | | | |
| CC | 010A | USABLE AT 208V | 9 | | | | |
| DE | 6207 | ODE | 6205 | | | | |
| ENCL | TEFC | SN | | | | | |
| VPWM INVERTER READY | | | | | | | |
| CT6-60H(10:1)VT3-60H(20:1) | | | | | | | |
| | | | | | | | |

| Parts List | | |
|----------------|--|----------|
| Part Number | Description | Quantity |
| SA226368 | SA 36H017S266G1 | 1.000 EA |
| RA213466 | RA 36H017S266G1 | 1.000 EA |
| 36FN3000C01SP | EXFN, PLASTIC, 5.25 OD, .912 ID | 1.000 EA |
| S/P107-000-001 | SUPER E PROC'S-FS, WS & CK PLTS | 1.000 EA |
| 36CB3004 | 36 CB CASTING W/1.09 DIA LEAD HOLE @ 6:0 | 1.000 EA |
| 36GS1000SP | GASKET-CONDUIT BOX, .06 THICK #SV-330 LE | 1.000 EA |
| 51XB1016A08 | 10-16X 1/2HXWSSLD SERTYB | 2.000 EA |
| 11XW1032G06 | 10-32 X .38, TAPTITE II, HEX WSHR SLTD U | 1.000 EA |
| HW3001B01 | BRASS CUP WASHER, FOR #8 SCREW | 1.000 EA |
| 36EP3104A04 | FR ENDPLATE, MACH | 1.000 EA |
| HW4500A01 | 1641B(ALEMITE)400 UNIV, GREASE FITT | 1.000 EA |
| HW4500A17 | 317400 ALEMITE GREASE RELIEF | 1.000 EA |
| HW5100A05 | WVY WSHR F/205 & 304 BRGS | 1.000 EA |
| 36EP3405T03 | PUEP ENCL 207 BRG T'SLV,GRSR,REL,DRAIN | 1.000 EA |
| HW4500A01 | 1641B(ALEMITE)400 UNIV, GREASE FITT | 1.000 EA |
| HW4500A17 | 317400 ALEMITE GREASE RELIEF | 1.000 EA |
| 10XN2520A24 | 1/4-20X 1 1/2 HEX HD X | 4.000 EA |
| HW1001A25 | LOCKWASHER 1/4, ZINC PLT .493 OD, .255 I | 4.000 EA |
| 51XB1214A16 | 12-14X1.00 HXWSSLD SERTYB | 1.000 EA |
| 36FH4009A103 | IEC FH GREASER W/AUTOPHERETIC PRIMER | 1.000 EA |
| 51XW1032A06 | 10-32 X .38, TAPTITE II, HEX WSHR SLTD S | 3.000 EA |
| 36CB4516 | 36 LIPPED CB LID | 1.000 EA |
| 37GS1001 | GASKET, CONDUIT BOX LID, .06 THICK LEXID | 1.000 EA |
| 51XW0832A07 | 8-32 X .44, TAPTITE II, HEX WSHR SLTD SE | 4.000 EA |

| Parts List (continued) | | |
|-------------------------------|--|-----------------|
| Part Number | Description | Quantity |
| HA1005A07SP | SLINGER, OD 2.25, ID 1.344, 307 BRG | 1.000 EA |
| HW2501D13SP | KEY, 3/16 SQ X 1.375 | 1.000 EA |
| HA7000A01 | KEY RETAINER 7/8" DIA SHAFT | 1.000 EA |
| 85XU0407S04 | 4X1/4 U DRIVE PIN STAINLESS | 2.000 EA |
| MJ1000A75 | GREASE, POLYREX EM EXXON (USe 4824-15A) | 0.050 LB |
| HA3101A25 | THRUBOLT 1/4-20 X 11.000 OHIO ROD | 4.000 EA |
| MG1000Y03 | MUNSELL 2.53Y 6.70/ 4.60, GLOSS 20, | 0.022 GA |
| LC0005E01 | CONN.DIA./WARNING LABEL (LC0005/LB1119N) | 1.000 EA |
| NP3441L | ALUM SUPER-E VPWM INVERTER READY UL | 1.000 EA |
| 36PA1001 | PKG GRP, PRINT PK1017A06 | 1.000 EA |
| MN416A01 | TAG-INSTAL-MAINT no wire (1200/bx) 11/14 | 1.000 EA |

AC Induction Motor Performance Data

Record # 53364 - Typical performance - not guaranteed values

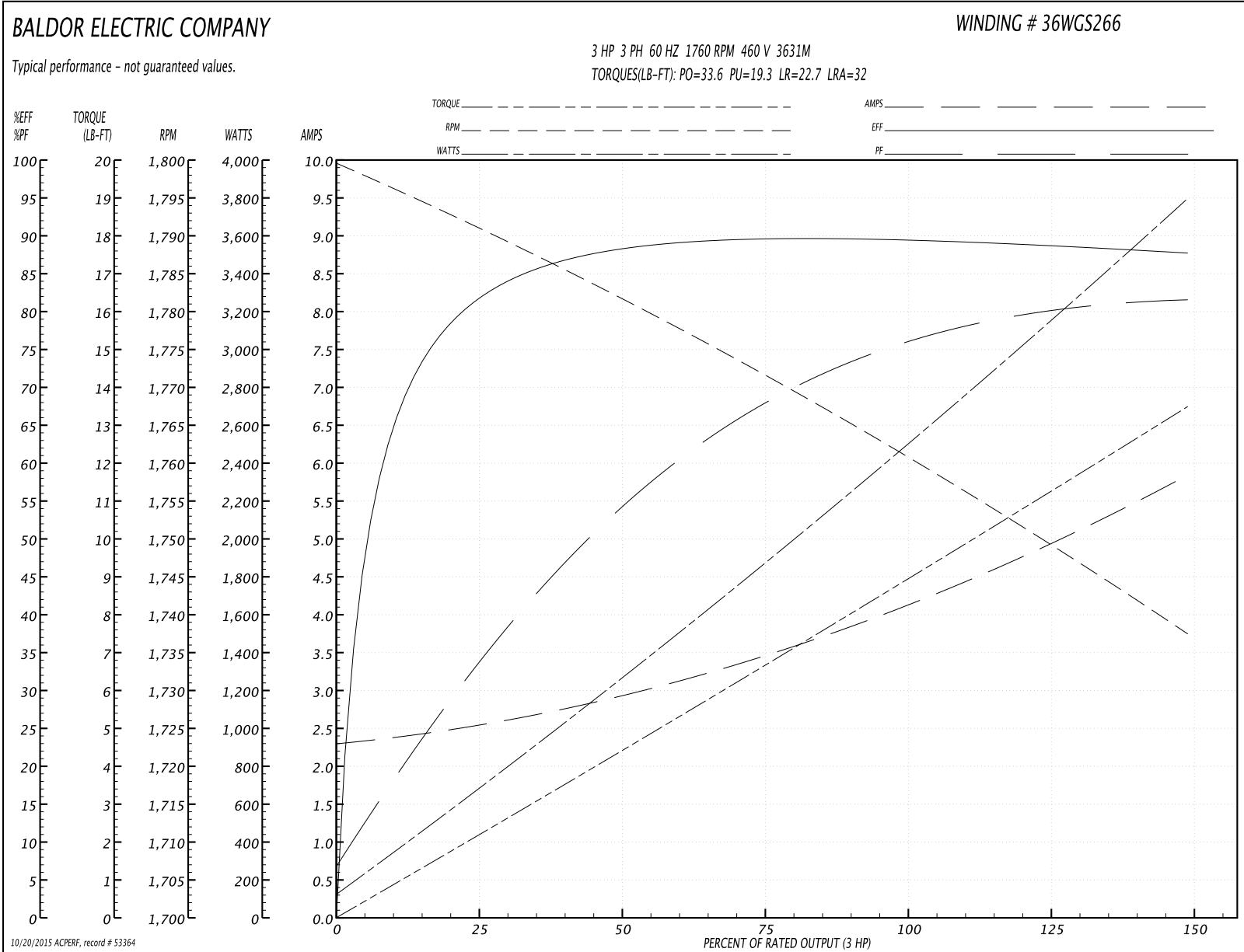
| | | |
|-------------------------------|--------------------|------------------------|
| Winding: 36WGS266-R006 | Type: 3631M | Enclosure: TEFC |
|-------------------------------|--------------------|------------------------|

| Nameplate Data | | | | 460 V, 60 Hz: High Voltage Connection | |
|-----------------------|--------------|--------------|----|--|--------------------------|
| Rated Output (HP) | 3 | | | Full Load Torque | 8.88 LB-FT |
| Volts | 230/460 | | | Start Configuration | direct on line |
| Full Load Amps | 8.4/4.2 | | | Breakdown Torque | 33.6 LB-FT |
| R.P.M. | 1760 | | | Pull-up Torque | 19.3 LB-FT |
| Hz | 60 | Phase | 3 | Locked-rotor Torque | 22.7 LB-FT |
| NEMA Design Code | B | KVA Code | K | Starting Current | 32 A |
| Service Factor (S.F.) | 1.15 | | | No-load Current | 2.33 A |
| NEMA Nom. Eff. | 89.5 | Power Factor | 75 | Line-line Res. @ 25°C | 4.01 Ω |
| Rating - Duty | 40C AMB-CONT | | | Temp. Rise @ Rated Load | 40°C |
| S.F. Amps | | | | Temp. Rise @ S.F. Load | 48°C |
| | | | | Rotor inertia | 0.289 LB-FT ² |

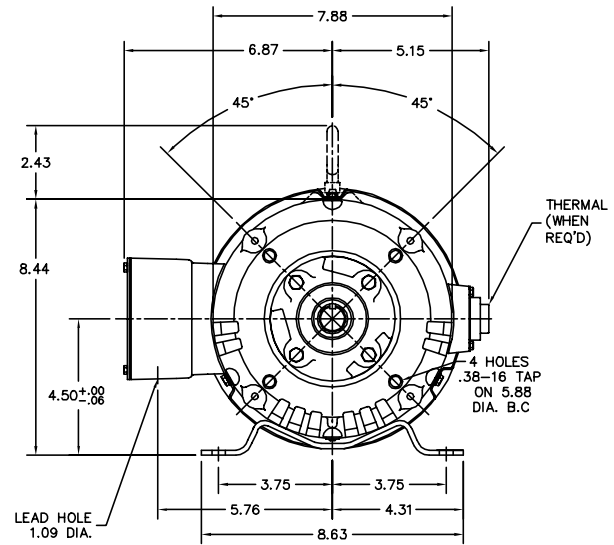
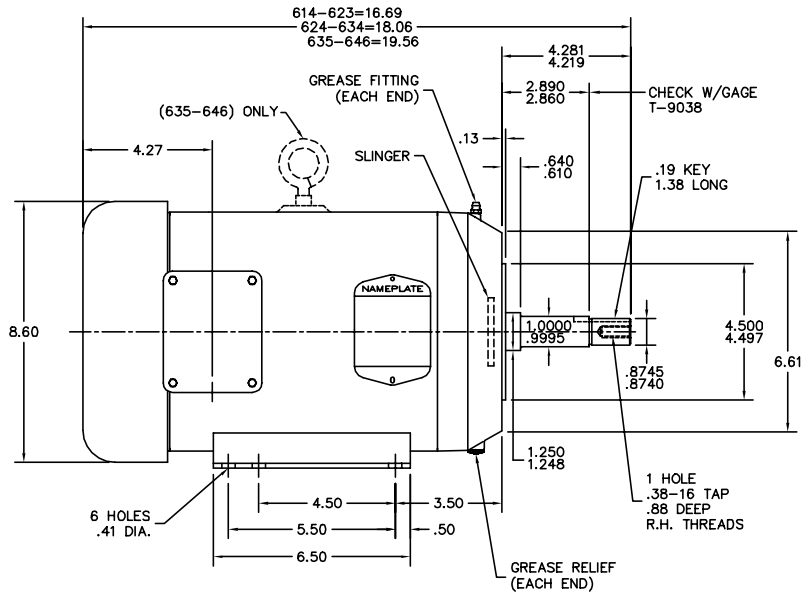
Load Characteristics 460 V, 60 Hz, 3 HP

| % of Rated Load | 25 | 50 | 75 | 100 | 125 | 150 | S.F. |
|-----------------|------|--------|--------|--------|--------|--------|------|
| Power Factor | 34 | 54 | 68 | 75 | 79 | 82 | 77 |
| Efficiency | 80.9 | 87.8 | 89.5 | 89.6 | 88.9 | 88 | 89.2 |
| Speed | 1791 | 1781.8 | 1771.6 | 1761.8 | 1749.6 | 1737.2 | 1754 |
| Line amperes | 2.5 | 2.89 | 3.43 | 4.15 | 4.95 | 5.81 | 4.63 |

Performance Graph at 460V, 60Hz, 3.0HP Typical performance - Not guaranteed values



36LYH017



CUSTOMER IS RESPONSIBLE FOR DETERMINING THAT MOTOR PERFORMANCE IS SUITABLE IN THE APPLICATION.

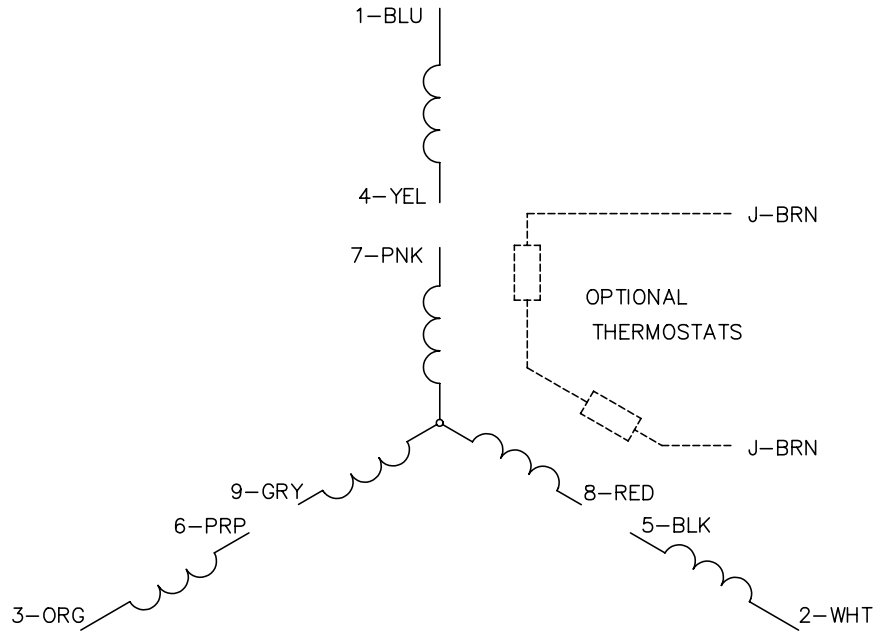
| | | | |
|-------------------------------------|---------|------------------------------|-------------|
| REV. DESC: ADDED KOBX LEAD HOLE DIM | | | |
| REV. LTR: M | BY: RMP | REVISED: 07:25:39 09/09/2004 | TDR: 342770 |
| FILE: AAA00004174 | | REF: 36LYH017 | |
| MTL: - | | | |

BALDOR ELECTRIC Co.

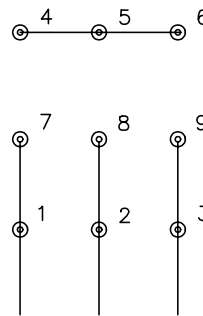
STD HORZ 182-4JM TEFC 36M

36LYH017

CD0005

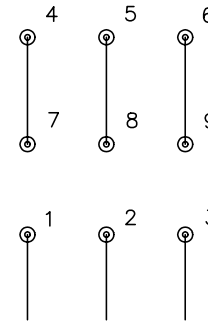


LOW VOLTAGE
(2Y)



LINE

HIGH VOLTAGE
(1Y)



LINE

NOTES:

1. INTERCHANGE ANY TWO LINE LEADS TO REVERSE ROTATION.
2. OPTIONAL THERMOSTATS ARE PROVIDED WHEN SPECIFIED.
3. ACTUAL NUMBER OF INTERNAL PARALLEL CIRCUITS MAY BE A MULTIPLE OF THOSE SHOWN ABOVE.
4. LEAD COLORS ARE OPTIONAL. LEADS MUST ALWAYS BE NUMBERED AS SHOWN.

REV. DESC: REVISE TO SHOW OPTIONAL COLORS

REV. LTR: E BY: JLP

REVISED: 01/19/99 10:15

TDR: 0171435

90000

FILE: AAA00005140

MDL: -

MTL: -

BALDOR ELECTRIC Co.

3PH, DV, 9 LEADS

CD0005