

BALDOR® • ***RELIANCE***

Product Information Packet

EJMM3212T

5HP,3450RPM,3PH,60HZ,182JM,3623M,OPSB,F1

| Part Detail | | | | | | | |
|-------------|-------|----------------|-------|-------------|----------|---------------|------------|
| Revision: | D | Status: | PRD/A | Change #: | | Proprietary: | No |
| Type: | AC | Prod. Type: | 3623M | Elec. Spec: | 36WGS040 | CD Diagram: | CD0005 |
| Enclosure: | OPSB | Mfg Plant: | | Mech. Spec: | 36G687 | Layout: | 36LYG687 |
| Frame: | 182JM | Mounting: | F1 | Poles: | 02 | Created Date: | 05-06-2010 |
| Base: | RG | Rotation: | R | Insulation: | F | Eff. Date: | 03-31-2015 |
| Leads: | 9#16 | | | | | Replaced By: | |
| Literature: | | Elec. Diagram: | | | | | |

| Nameplate NP1259L | | | | | | | |
|-------------------|--------------|----------------|------|-----|---|----|---|
| CAT.NO. | EJMM3212T | | | | | | |
| SPEC. | 36G687S040G1 | | | | | | |
| HP | 5 | | | | | | |
| VOLTS | 208-230/460 | | | | | | |
| AMP | 12.8-12/6 | | | | | | |
| RPM | 3450 | | | | | | |
| FRAME | 182JM | HZ | 60 | PH | 3 | | |
| SER.F. | 1.15 | CODE | K | DES | A | CL | F |
| NEMA-NOM-EFF | 86.5 | PF | 91 | | | | |
| RATING | 40C AMB-CONT | | | | | | |
| CC | 010A | USABLE AT 208V | | | | | |
| DE | 6207 | ODE | 6205 | | | | |
| ENCL | OPSB | SN | | | | | |
| | | | | | | | |

| Parts List | | |
|----------------|--|----------|
| Part Number | Description | Quantity |
| SA194595 | SA 36G687S040G1 | 1.000 EA |
| RA182181 | RA 36G687S040G1 | 1.000 EA |
| S/P107-000-001 | SUPER E PROC'S-FS, WS & CK PLTS | 1.000 EA |
| 36CB3004 | 36 CB CASTING W/1.09 DIA LEAD HOLE @ 6:0 | 1.000 EA |
| 51XB1016A08 | 10-16X 1/2HXWSSLD SERTYB | 2.000 EA |
| 11XW1032G06 | 10-32 X .38, TAPTITE II, HEX WSHR SLTD U | 1.000 EA |
| HW3001B01 | BRASS CUP WASHER, FOR #8 SCREW | 1.000 EA |
| 36EP3200A25 | FR ENDPLATE, MACH | 1.000 EA |
| HA1103A08 | RODENT SCREEN, 36 FRAME, OPEN, FRONT END | 1.000 EA |
| 51XW1032A06 | 10-32 X .38, TAPTITE II, HEX WSHR SLTD S | 4.000 EA |
| HW1000A10 | #10 FLAT WASHER (SAE) | 4.000 EA |
| HW4500A01 | 1641B(ALEMITE)400 UNIV, GREASE FITT | 1.000 EA |
| HW4500A17 | 317400 ALEMITE GREASE RELIEF | 1.000 EA |
| HW5100A05 | WVY WSHR F/205 & 304 BRGS | 1.000 EA |
| 36EP3405A04 | PUEP 182-4C OPEN 207 BRG W/ TSLV, GRGR | 1.000 EA |
| HA1102A07 | RODENT SCREEN 36 OPEN FACE | 2.000 EA |
| 51XW1032A06 | 10-32 X .38, TAPTITE II, HEX WSHR SLTD S | 4.000 EA |
| HW1000A10 | #10 FLAT WASHER (SAE) | 4.000 EA |
| HW4500A01 | 1641B(ALEMITE)400 UNIV, GREASE FITT | 1.000 EA |
| HW4500A17 | 317400 ALEMITE GREASE RELIEF | 1.000 EA |
| 10XN2520A24 | 1/4-20X 1 1/2 HEX HD X | 4.000 EA |
| HW1001A25 | LOCKWASHER 1/4, ZINC PLT .493 OD, .255 I | 4.000 EA |
| 36CB4516 | 36 LIPPED CB LID | 1.000 EA |
| 51XW0832A07 | 8-32 X .44, TAPTITE II, HEX WSHR SLTD SE | 4.000 EA |

| Parts List (continued) | | |
|-------------------------------|--|-----------------|
| Part Number | Description | Quantity |
| HA1005A07SP | SLINGER, OD 2.25, ID 1.344, 307 BRG | 1.000 EA |
| HW2501D13SP | KEY, 3/16 SQ X 1.375 | 1.000 EA |
| HA7000A01 | KEY RETAINER 7/8" DIA SHAFT | 1.000 EA |
| 85XU0407S04 | 4X1/4 U DRIVE PIN STAINLESS | 2.000 EA |
| MJ1000A75 | GREASE, POLYREX EM EXXON (USe 4824-15A) | 0.050 LB |
| MG1000Y03 | MUNSELL 2.53Y 6.70/ 4.60, GLOSS 20, | 0.022 GA |
| HA3101A23 | THRUBOLT 1/4-20 X 9.625 DEMBY | 4.000 EA |
| 36AD2004A01 | BAFFLE PLATE,MOD 36-SLTD BAND MTRS DELTA | 2.000 EA |
| LC0005E01 | CONN.DIA./WARNING LABEL (LC0005/LB1119N) | 1.000 EA |
| NP1259L | ALUM SUPER-E UL CSA-EEV CC NEMA PREMIUM | 1.000 EA |
| G7PA1000 | PKG GRP, PRINT PK1034A06 | 1.000 EA |
| MN416A01 | TAG-INSTAL-MAINT no wire (1200/bx) 11/14 | 1.000 EA |

AC Induction Motor Performance Data

Record # 31171 - Typical performance - not guaranteed values

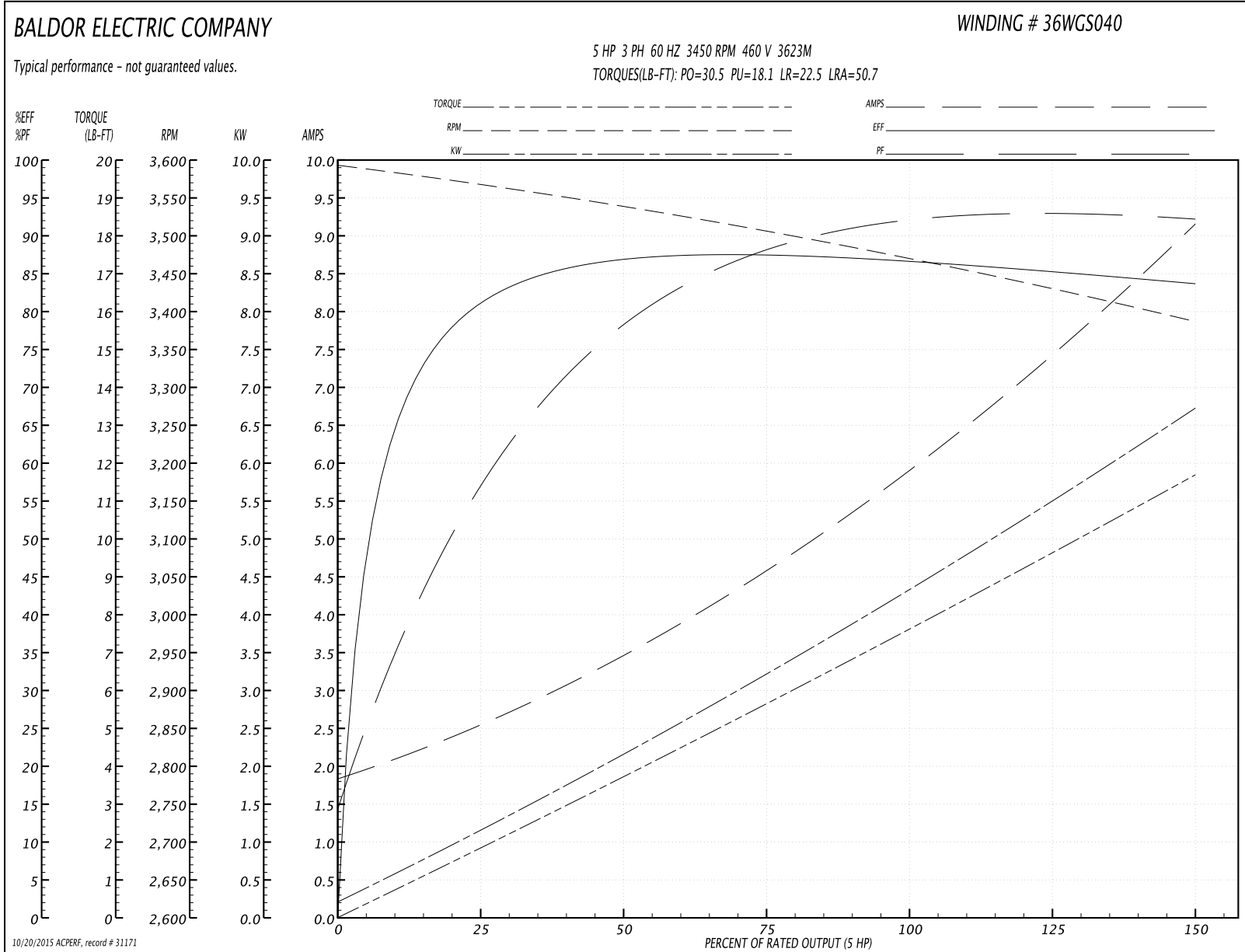
| | | |
|-------------------------------|--------------------|------------------------|
| Winding: 36WGS040-R002 | Type: 3623M | Enclosure: OPSB |
|-------------------------------|--------------------|------------------------|

| Nameplate Data | | | | 460 V, 60 Hz: High Voltage Connection | |
|-----------------------|--------------|--------------|----|--|--------------------------|
| Rated Output (HP) | 5 | | | Full Load Torque | 7.66 LB-FT |
| Volts | 208-230/460 | | | Start Configuration | direct on line |
| Full Load Amps | 12.8-12/6 | | | Breakdown Torque | 30.5 LB-FT |
| R.P.M. | 3450 | | | Pull-up Torque | 18.1 LB-FT |
| Hz | 60 | Phase | 3 | Locked-rotor Torque | 22.5 LB-FT |
| NEMA Design Code | A | KVA Code | K | Starting Current | 50.7 A |
| Service Factor (S.F.) | 1.15 | | | No-load Current | 1.93 A |
| NEMA Nom. Eff. | 86.5 | Power Factor | 91 | Line-line Res. @ 25°C | 3.06 Ω |
| Rating - Duty | 40C AMB-CONT | | | Temp. Rise @ Rated Load | 34°C |
| S.F. Amps | | | | Temp. Rise @ S.F. Load | 42°C |
| | | | | Rotor inertia | 0.103 LB-FT ² |

Load Characteristics 460 V, 60 Hz, 5 HP

| % of Rated Load | 25 | 50 | 75 | 100 | 125 | 150 | S.F. |
|-----------------|------|------|------|------|------|------|------|
| Power Factor | 62 | 81 | 88 | 91 | 92 | 93 | 92 |
| Efficiency | 81.1 | 86.7 | 87.6 | 86.9 | 85.5 | 83.7 | 86.1 |
| Speed | 3567 | 3537 | 3506 | 3469 | 3429 | 3387 | 3445 |
| Line amperes | 2.45 | 3.44 | 4.64 | 6.02 | 7.51 | 9.09 | 6.91 |

Performance Graph at 460V, 60Hz, 5.0HP Typical performance - Not guaranteed values



AC Induction Motor Performance Data

Record # 45076 - Typical performance - not guaranteed values

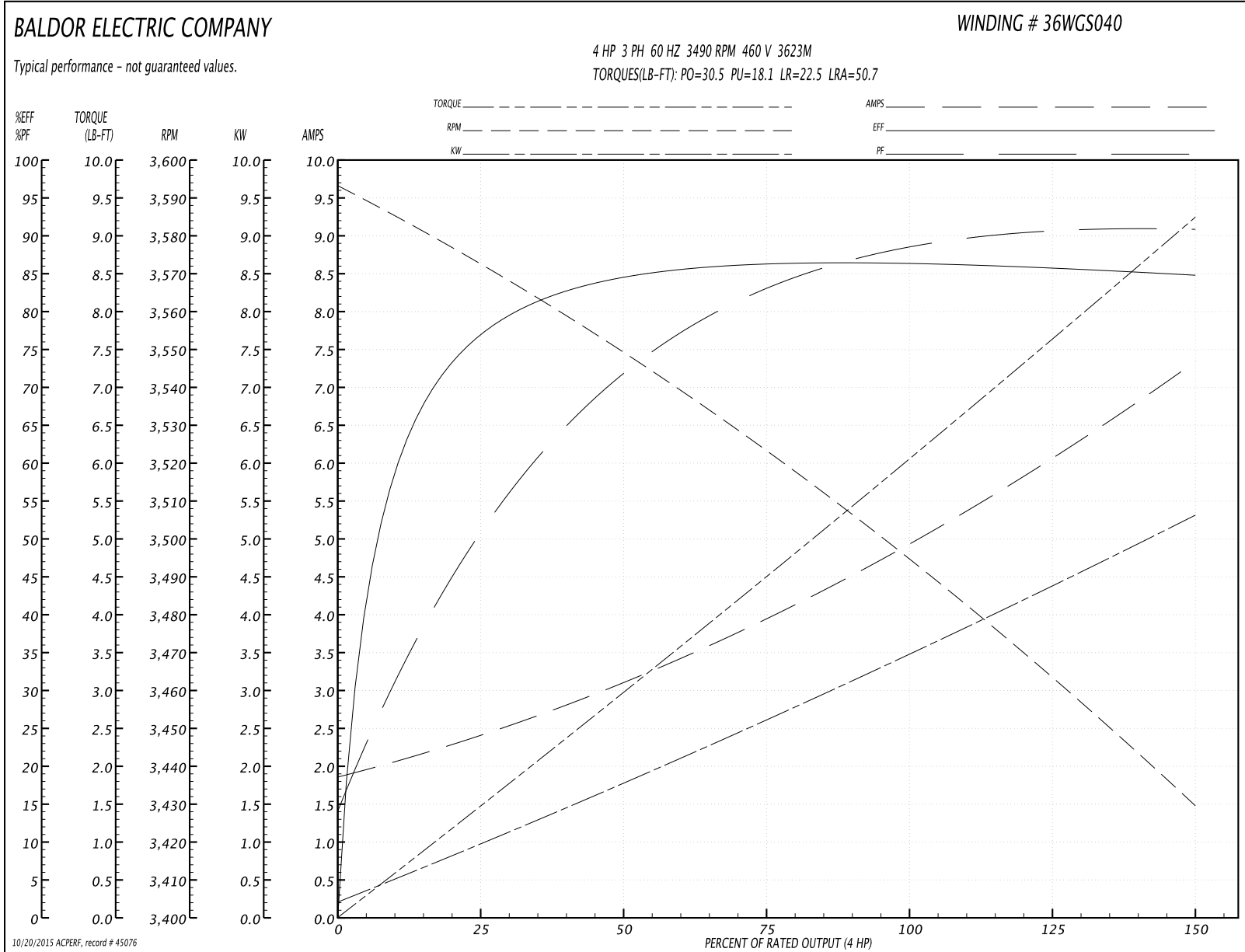
| | | |
|-------------------------------|--------------------|------------------------|
| Winding: 36WGS040-RXXX | Type: 3623M | Enclosure: OPSB |
|-------------------------------|--------------------|------------------------|

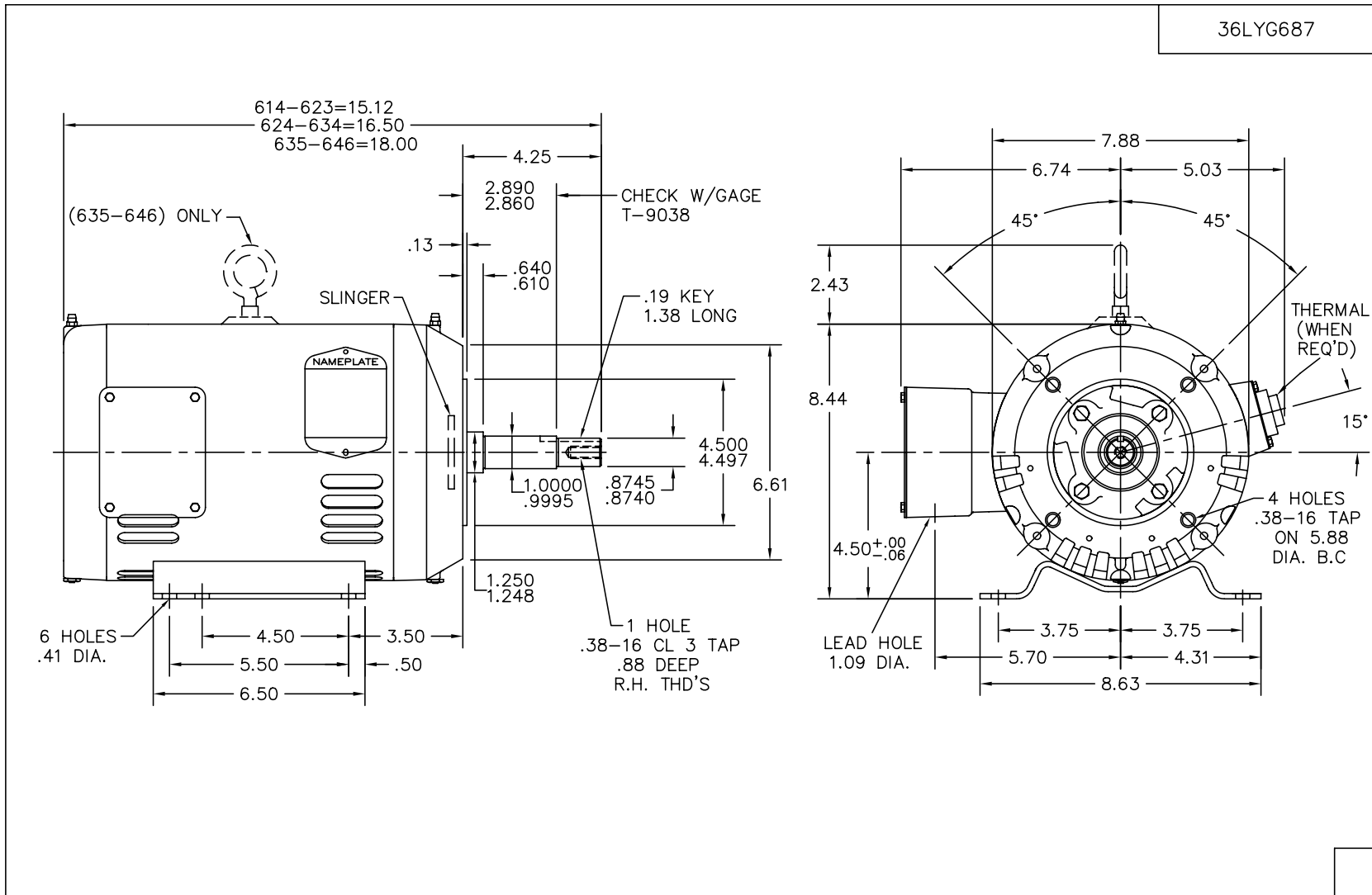
| Nameplate Data | | | | 460 V, 60 Hz: High Voltage Connection | |
|-----------------------|--------------|--------------|----|--|--------------------------|
| Rated Output (HP) | 4 | | | Full Load Torque | 6.09 LB-FT |
| Volts | 208-230/460 | | | Start Configuration | direct on line |
| Full Load Amps | 10.3-10/5 | | | Breakdown Torque | 30.5 LB-FT |
| R.P.M. | 3490 | | | Pull-up Torque | 18.1 LB-FT |
| Hz | 60 | Phase | 3 | Locked-rotor Torque | 22.5 LB-FT |
| NEMA Design Code | A | KVA Code | M | Starting Current | 50.7 A |
| Service Factor (S.F.) | 1.15 | | | No-load Current | 1.93 A |
| NEMA Nom. Eff. | 86.4 | Power Factor | 91 | Line-line Res. @ 25°C | 3.05 Ω |
| Rating - Duty | 40C AMB-CONT | | | Temp. Rise @ Rated Load | 26°C |
| S.F. Amps | | | | Temp. Rise @ S.F. Load | 31°C |
| | | | | Rotor inertia | 0.103 LB-FT ² |

Load Characteristics 460 V, 60 Hz, 4 HP

| % of Rated Load | 25 | 50 | 75 | 100 | 125 | 150 | S.F. |
|-----------------|------|------|------|------|------|------|------|
| Power Factor | 55 | 74 | 83 | 87 | 90 | 92 | 89 |
| Efficiency | 77.1 | 84.3 | 86.5 | 86.5 | 85.9 | 84.7 | 86.1 |
| Speed | 3572 | 3548 | 3523 | 3494 | 3462 | 3430 | 3475 |
| Line amperes | 2.34 | 3.09 | 3.99 | 5.02 | 6.13 | 7.29 | 5.69 |

Performance Graph at 460V, 60Hz, 4.0HP Typical performance - Not guaranteed values

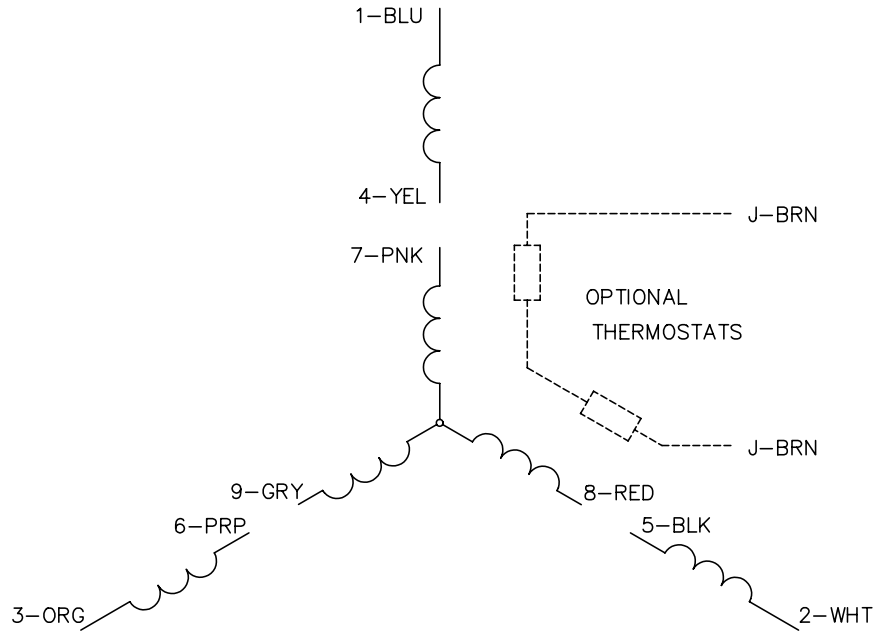




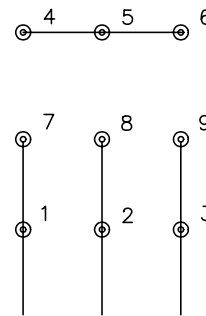
| | | | | | | | | | | | | |
|-------------------|--|------------|--|------------------------|--|---|--|---|--|------|--|--|
| CUST. NAME | | CUST. P.O. | | CERTIFIED BY | | MODEL | | INSUL | | AMB | | |
| H.P. | | MTG | | TYPE | | R.P.M. | | VOLTS | | ENCL | | |
| PHASE | | FREQ | | FRAME | | REV. DESC: CHG'D CONDUIT BOX AND LID (SEE EC09) | | | | | | |
| REV. LTR: D | | BY: JED | | REVISED: 02/23/99 8:11 | | TDR: 0171565 | | | | | | |
| FILE: AAA00004132 | | MDL: - | | | | | | BALDOR ELECTRIC Co. STD HORZ 182-4JM OPSB 36M W/SCREENS | | | | |
| MTL: - | | | | | | | | | | | | |

36LYG687

CD0005

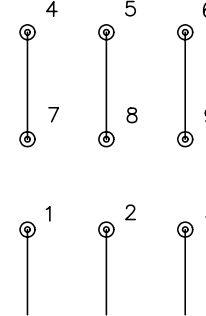


LOW VOLTAGE
(2Y)



LINE

HIGH VOLTAGE
(1Y)



LINE

NOTES:

1. INTERCHANGE ANY TWO LINE LEADS TO REVERSE ROTATION.
2. OPTIONAL THERMOSTATS ARE PROVIDED WHEN SPECIFIED.
3. ACTUAL NUMBER OF INTERNAL PARALLEL CIRCUITS MAY BE A MULTIPLE OF THOSE SHOWN ABOVE.
4. LEAD COLORS ARE OPTIONAL. LEADS MUST ALWAYS BE NUMBERED AS SHOWN.

| | | | |
|---|---------|-------------------------|--------------|
| REV. DESC: REVISE TO SHOW OPTIONAL COLORS | | | |
| REV. LTR: E | BY: JLP | REVISED: 01/19/99 10:15 | TDR: 0171435 |
| 90000 | | FILE: AAA00005140 | MDL: - |
| | | MTL: - | |

BALDOR ELECTRIC Co.

3PH, DV, 9 LEADS

CD0005