

# **BALDOR**® • **RELIANCE**

## **Product Information Packet**

# **EJMM2534T**

**30HP,3510RPM,3PH,60HZ,284JM,3948M,OPSB,F**

Part Detail							
Revision:	C	Status:	PRD/A	Change #:		Proprietary:	No
Type:	AC	Prod. Type:	3948M	Elec. Spec:	39WGX286	CD Diagram:	CD0005
Enclosure:	OPSB	Mfg Plant:		Mech. Spec:	39E312	Layout:	39LYE312
Frame:	284JM	Mounting:	F1	Poles:	02	Created Date:	06-22-2009
Base:	RG	Rotation:	R	Insulation:	F	Eff. Date:	05-29-2014
Leads:	9#10					Replaced By:	
Literature:		Elec. Diagram:					

Nameplate NP2138L							
CAT.NO.	EJMM2534T	P/N		ENCLOSURE	OPSB		
SPEC.	39E312X286	CC	010A	FRAME	284JM	S/N	
HP	30	CLASS	F	HZ	60		
RPM	3510	PH	3	DES	B		
VOLT	230/460	KVA-CODE	F	ODE BRG	6208	DE BRG	6312
AMP	66/33	USABLE AT 208V	74				
RATING	40C AMB-CONT	GREASE	POLYREX EM				
NEMA-NOM-EFF	91.7	PF	92	SER.F.	1.15		
HTR-VOLTS		HTR-AMPS		MAX. SPACE HEATER TEMP.			

Parts List		
Part Number	Description	Quantity
SA183606	SA 39E312X286	1.000 EA
RA171471	RA 39E312X286	1.000 EA
S/P107-000-006	SUPER-E(284 FR. & UP)-ZK PLANT,POLYREX E	1.000 EA
HW3201A01	1/2-13 EYEBOLT	1.000 EA
09CB2800A03	ADAPTER MACH FOR 10CB3000	1.000 EA
19XW3118A08	.31-18 X .50 HEX WASHER HEAD TAPTITE II	2.000 EA
HW1001A31	LOCKWASHER 5/16, ZINC PLT.591 OD, .319 I	2.000 EA
10CB3000SP	STD KO BOX MODEL 310,312,314 MTRS W/2.00	1.000 EA
19XW3118A12	.31-18 X .75 HEX WASHER HEAD TAPTITE II	4.000 EA
HW1001A31	LOCKWASHER 5/16, ZINC PLT.591 OD, .319 I	4.000 EA
WD1000B16	T&B CX70TN TERMINAL	1.000 EA
51XF2520A08	SCREW, HEX SER SLT HD, ZN 1/4-20 X .50 L	1.000 EA
HA1101A01	RODENT SCREEN, 39 MTR	1.000 EA
51XW1032A06	10-32 X .38, TAPTITE II, HEX WSHR SLTD S	4.000 EA
39EP3200A01SP	FR/PU ENDPLATE, MACH	1.000 EA
HW5100A08	W3118-035 WVY WSHR (WB)	1.000 EA
HA1221	RODENT SCREEN 39EP1404	4.000 EA
HW3207A04	CABLE TIE 5 5/8 X .14" BLACK	8.000 EA
39EP1404A07	FACE MTD.EP MACH. 284-6 OPEN	1.000 EA
HW4600B41	V-RING SLINGER 2.125 X 2.880 X 0.280	1.000 EA
10XN3118K40	5/16-18 X 2.50" HEX HD, GRADE 5	4.000 EA
HW1001A31	LOCKWASHER 5/16, ZINC PLT.591 OD, .319 I	4.000 EA
XY3816A12	3/8-16 FINISHED NUT	4.000 EA
10CB3500	CONDUIT BOX LID, CAST	1.000 EA

<b>Parts List (continued)</b>		
<b>Part Number</b>	<b>Description</b>	<b>Quantity</b>
51XW2520A12	.25-20 X .75, TAPTITE II, HEX WSHR SLTD	4.000 EA
HW2501E22	KEY, 1/4 SQ X 2.500	1.000 EA
LB1115N	LABEL,LIFTING DEVICE (ON ROLLS)	1.000 EA
MN416A01	TAG-INSTAL-MAINT no wire (1200/bx) 11/14	1.000 EA
HW4500A03	GREASE FITTING, .125 NPT 1610(ALEMITE) 8	1.000 EA
HW4500A20	1/8NPT SL PIPE PLUG	1.000 EA
HA4051A00	PLASTIC CAP FOR GREASE FITTING	1.000 EA
MJ1000A75	GREASE, POLYREX EM EXXON (USe 4824-15A)	0.030 LB
HW4500A03	GREASE FITTING, .125 NPT 1610(ALEMITE) 8	1.000 EA
HW4500A20	1/8NPT SL PIPE PLUG	1.000 EA
HA4051A00	PLASTIC CAP FOR GREASE FITTING	1.000 EA
MG1000Y03	MUNSELL 2.53Y 6.70/ 4.60, GLOSS 20,	0.050 GA
85XU0407A04	#4-7 X 1/4 DRIVE PIN	4.000 EA
39AD2002B01	BAFFLE PLATE 39 OPEN, SLOTTED BAND MTRS	1.000 EA
39AD2002B01	BAFFLE PLATE 39 OPEN, SLOTTED BAND MTRS	1.000 EA
HA3113A05	THRUBOLT 3/8 - 16 X 17.250	4.000 EA
LC0005E01	CONN.DIA./WARNING LABEL (LC0005/LB1119N)	1.000 EA
NP2138L	ALUM SUPER-E UL CSA-EEV PREM CC (300	1.000 EA
40PA1000	PACKAGING GROUP	1.000 EA

**AC Induction Motor Performance Data**

Record # 13125 - Typical performance - not guaranteed values

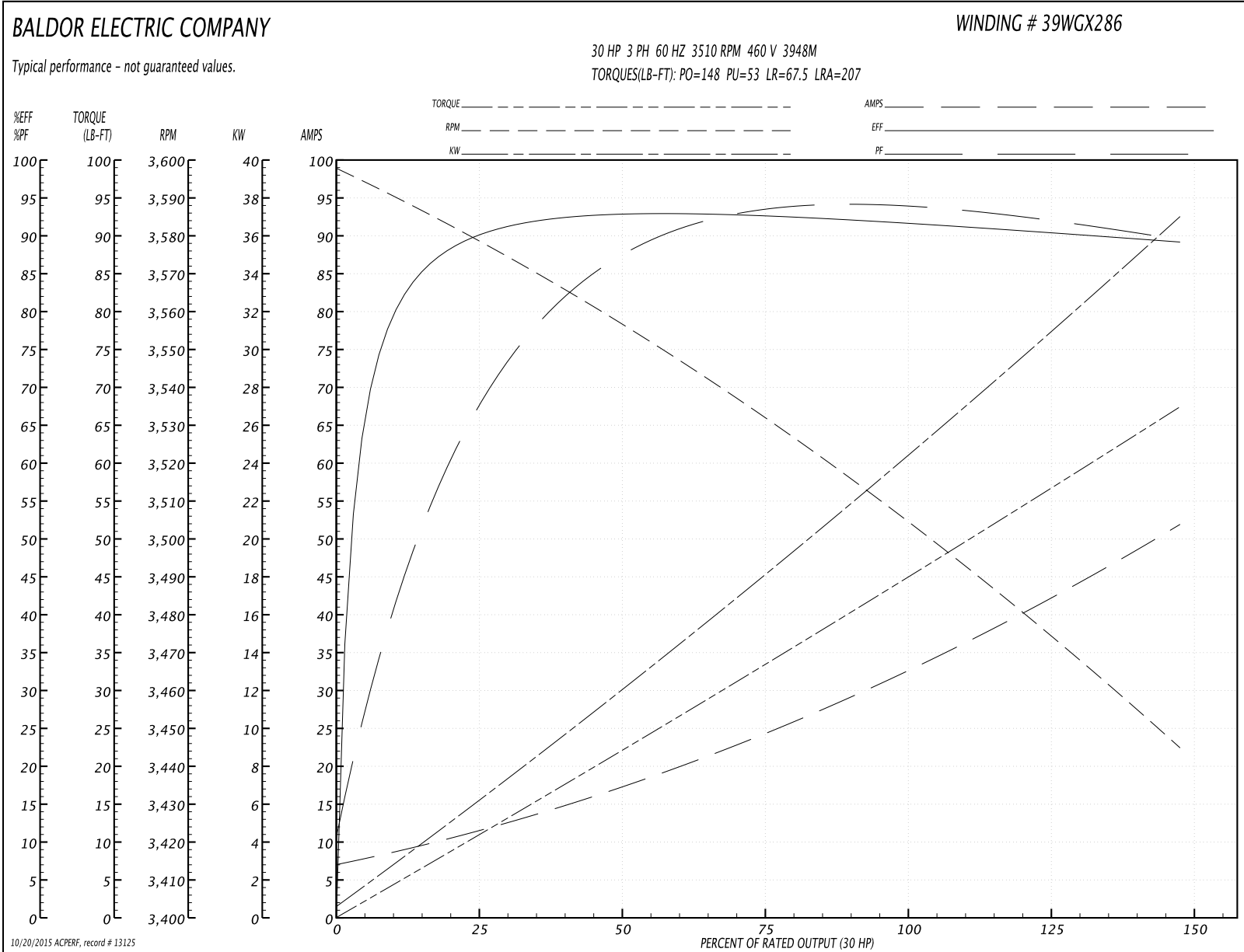
<b>Winding:</b> 39WGX286-R001	<b>Type:</b> 3948M	<b>Enclosure:</b> OPSB
-------------------------------	--------------------	------------------------

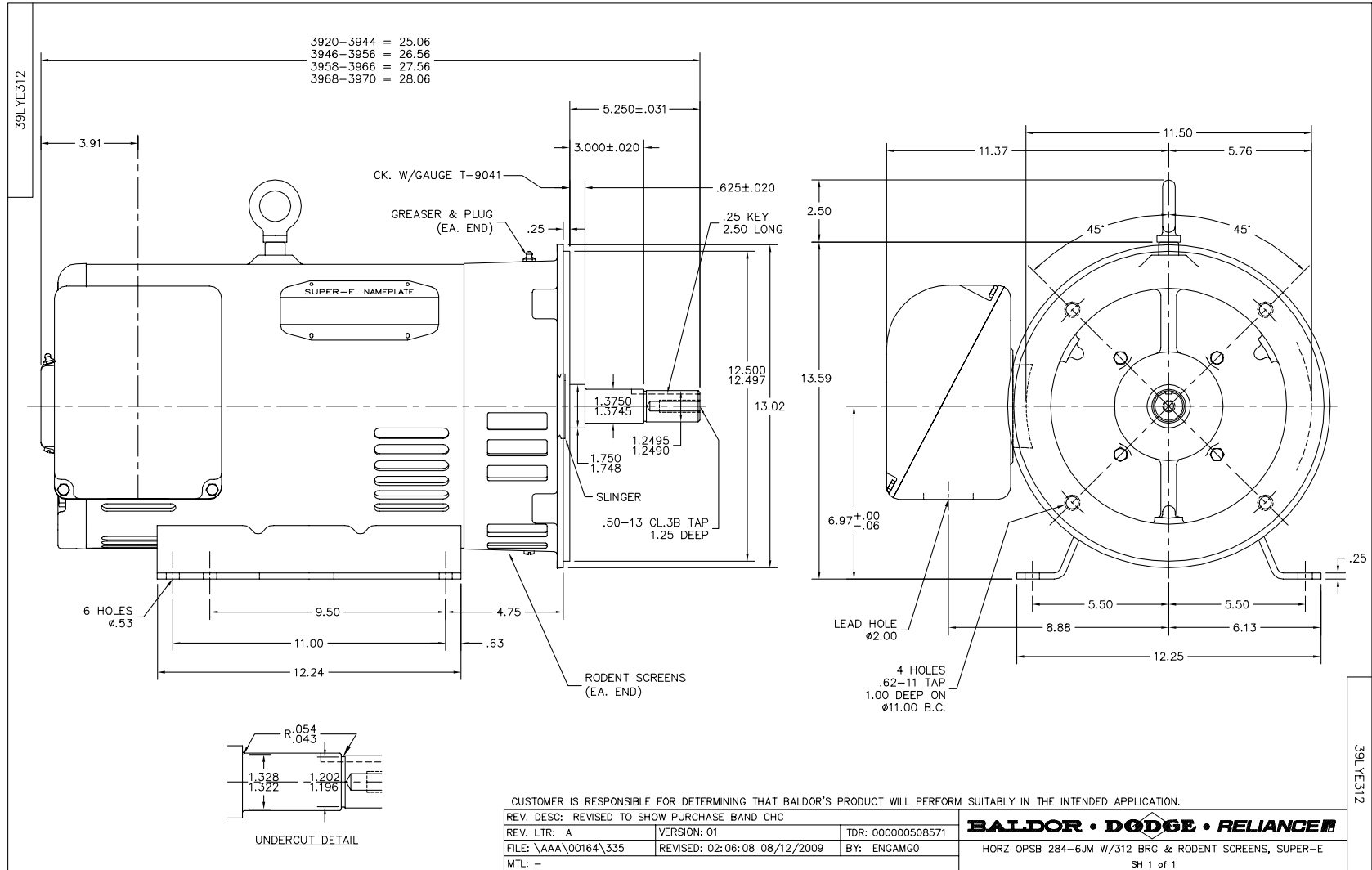
Nameplate Data				460 V, 60 Hz: High Voltage Connection	
Rated Output (HP)	30			Full Load Torque	45 LB-FT
Volts	230/460			Start Configuration	direct on line
Full Load Amps	66/33			Breakdown Torque	148 LB-FT
R.P.M.	3510			Pull-up Torque	53 LB-FT
Hz	60	Phase	3	Locked-rotor Torque	67.5 LB-FT
NEMA Design Code	B	KVA Code	F	Starting Current	207 A
Service Factor (S.F.)	1.15			No-load Current	7.51 A
NEMA Nom. Eff.	91.7	Power Factor	92	Line-line Res. @ 25°C	0.342 Ω
Rating - Duty	40C AMB-CONT			Temp. Rise @ Rated Load	38°C
S.F. Amps				Temp. Rise @ S.F. Load	48°C
				Rotor inertia	1.23 LB-FT <sup>2</sup>

Load Characteristics 460 V, 60 Hz, 30 HP

% of Rated Load	25	50	75	100	125	150	S.F.
Power Factor	70	87	91	92	92	92	92
Efficiency	89.4	92.5	92.6	91.8	90.7	89	91.1
Speed	3577	3555	3531	3505	3478	3443	3489
Line amperes	10.9	17.2	24.9	33.1	41.7	51.8	38.26

Performance Graph at 460V, 60Hz, 30.0HP Typical performance - Not guaranteed values



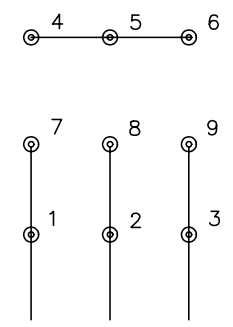




CD0005

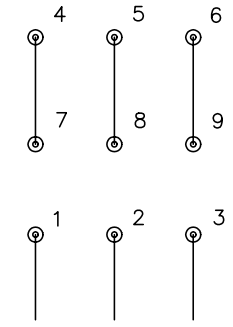


LOW VOLTAGE  
(2Y)



LINE

HIGH VOLTAGE  
(1Y)



LINE

NOTES:

1. INTERCHANGE ANY TWO LINE LEADS TO REVERSE ROTATION.
2. OPTIONAL THERMOSTATS ARE PROVIDED WHEN SPECIFIED.
3. ACTUAL NUMBER OF INTERNAL PARALLEL CIRCUITS MAY BE A MULTIPLE OF THOSE SHOWN ABOVE.
4. LEAD COLORS ARE OPTIONAL. LEADS MUST ALWAYS BE NUMBERED AS SHOWN.

REV. DESC: REVISE TO SHOW OPTIONAL COLORS			
REV. LTR: E	BY: JLP	REVISED: 01/19/99 10:15	TDR: 0171435
9000D		FILE: AAA00005140	MDL: -
		MTL: -	

**BALDOR ELECTRIC Co.**

3PH, DV, 9 LEADS

CD0005