

# **BALDOR**® • ***RELIANCE***

## **Product Information Packet**

# **EFM3218T-8**

**5HP,1750RPM,3PH,60HZ,184T,3640M,OPSB,F2**

| Part Detail |      |                |       |             |          |               |            |
|-------------|------|----------------|-------|-------------|----------|---------------|------------|
| Revision:   | E    | Status:        | PRD/A | Change #:   |          | Proprietary:  | No         |
| Type:       | AC   | Prod. Type:    | 3640M | Elec. Spec: | 36WGS761 | CD Diagram:   | CD0006     |
| Enclosure:  | OPSB | Mfg Plant:     |       | Mech. Spec: | 36B106   | Layout:       | 36LYB106   |
| Frame:      | 184T | Mounting:      | F2    | Poles:      | 04       | Created Date: | 06-29-2011 |
| Base:       | RG   | Rotation:      | R     | Insulation: | F        | Eff. Date:    | 03-31-2015 |
| Leads:      | 3#14 |                |       |             |          | Replaced By:  |            |
| Literature: |      | Elec. Diagram: |       |             |          |               |            |

| Nameplate NP1259L |              |                |      |     |   |    |   |
|-------------------|--------------|----------------|------|-----|---|----|---|
| CAT.NO.           | EFM3218T-8   |                |      |     |   |    |   |
| SPEC.             | 36B106S761G1 |                |      |     |   |    |   |
| HP                | 5            |                |      |     |   |    |   |
| VOLTS             | 200          |                |      |     |   |    |   |
| AMP               | 15.3         |                |      |     |   |    |   |
| RPM               | 1750         |                |      |     |   |    |   |
| FRAME             | 184T         | HZ             | 60   | PH  | 3 |    |   |
| SER.F.            | 1.15         | CODE           | J    | DES | B | CL | F |
| NEMA-NOM-EFF      | 89.5         | PF             | 80   |     |   |    |   |
| RATING            | 40C AMB-CONT |                |      |     |   |    |   |
| CC                | 010A         | USABLE AT 208V |      |     |   |    |   |
| DE                | 6206         | ODE            | 6205 |     |   |    |   |
| ENCL              | OPSB         | SN             |      |     |   |    |   |
|                   |              |                |      |     |   |    |   |

| Parts List     |  |          |
|----------------|--|----------|
| Part Number    | Description                              | Quantity |
| SA226297       | SA 36B106S761G1                          | 1.000 EA |
| RA213395       | RA 36B106S761G1                          | 1.000 EA |
| S/P107-000-001 | SUPER E PROC'S-FS, WS & CK PLTS          | 1.000 EA |
| 36CB3004       | 36 CB CASTING W/1.09 DIA LEAD HOLE @ 6:0 | 1.000 EA |
| 51XB1016A08    | 10-16X 1/2HXWSSLD SERTYB                 | 2.000 EA |
| 11XW1032G06    | 10-32 X .38, TAPTITE II, HEX WSHR SLTD U | 1.000 EA |
| HW3001B01      | BRASS CUP WASHER, FOR #8 SCREW           | 1.000 EA |
| 36EP3200A01SP  | FR ENDPLATE, MACH                        | 1.000 EA |
| HW4500A01      | 1641B(ALEMITE)400 UNIV, GREASE FITT      | 1.000 EA |
| HW5100A05      | WVY WSHR F/205 & 304 BRGS                | 1.000 EA |
| 36EP3201A01    | PU ENDPLATE, MACH 182-4T                 | 1.000 EA |
| HW4500A01      | 1641B(ALEMITE)400 UNIV, GREASE FITT      | 1.000 EA |
| XY2520A12      | 1/4-20 HEX NUT, DIRECTIONAL SERRATIONS   | 4.000 EA |
| 36CB4516       | 36 LIPPED CB LID                         | 1.000 EA |
| 51XW0832A07    | 8-32 X .44, TAPTITE II, HEX WSHR SLTD SE | 4.000 EA |
| HW2501E18      | KEY, 1/4 SQ X 2.000                      | 1.000 EA |
| HA7000A02      | KEY RETAINER RING, 1 1/8 DIA, 1 3/8 DIA  | 1.000 EA |
| 85XU0407S04    | 4X1/4 U DRIVE PIN STAINLESS              | 2.000 EA |
| HA6362ZP       | LIFTING LUG FOR 36 FRAME MOTORS.         | 1.000 EA |
| MJ1000A75      | GREASE, POLYREX EM EXXON (USe 4824-15A)  | 0.050 LB |
| 36AD2004A01    | BAFFLE PLATE,MOD 36-SLTD BAND MTRS DELTA | 2.000 EA |
| HA3101A40      | THRUBOLT 1/4-20 X 12.687                 | 4.000 EA |
| MG1000Y03      | MUNSELL 2.53Y 6.70/ 4.60, GLOSS 20,      | 0.022 GA |
| LB1115N        | LABEL,LIFTING DEVICE (ON ROLLS)          | 1.000 EA |

| <b>Parts List (continued)</b> |  |                 |
|-------------------------------|--|-----------------|
| <b>Part Number</b>            | <b>Description</b>                       | <b>Quantity</b> |
| LB1119N                       | WARNING LABEL                            | 1.000 EA        |
| LC0006                        | CONNECTION LABEL                         | 1.000 EA        |
| NP1259L                       | ALUM SUPER-E UL CSA-EEV CC NEMA PREMIUM  | 1.000 EA        |
| 36PA1000                      | PKG GRP, PRINT PK1016A06                 | 1.000 EA        |
| MN416A01                      | TAG-INSTAL-MAINT no wire (1200/bx) 11/14 | 1.000 EA        |

| <b>Accessories</b> |                    |                   |
|--------------------|--------------------|-------------------|
| <b>Part Number</b> | <b>Description</b> | <b>Multiplier</b> |
| 36-3403            | C FACE KIT         | A8                |
| 36EP1405A09SP      | D-FLANGE KIT       | A8                |

**AC Induction Motor Performance Data**

Record # 34572 - Typical performance - not guaranteed values

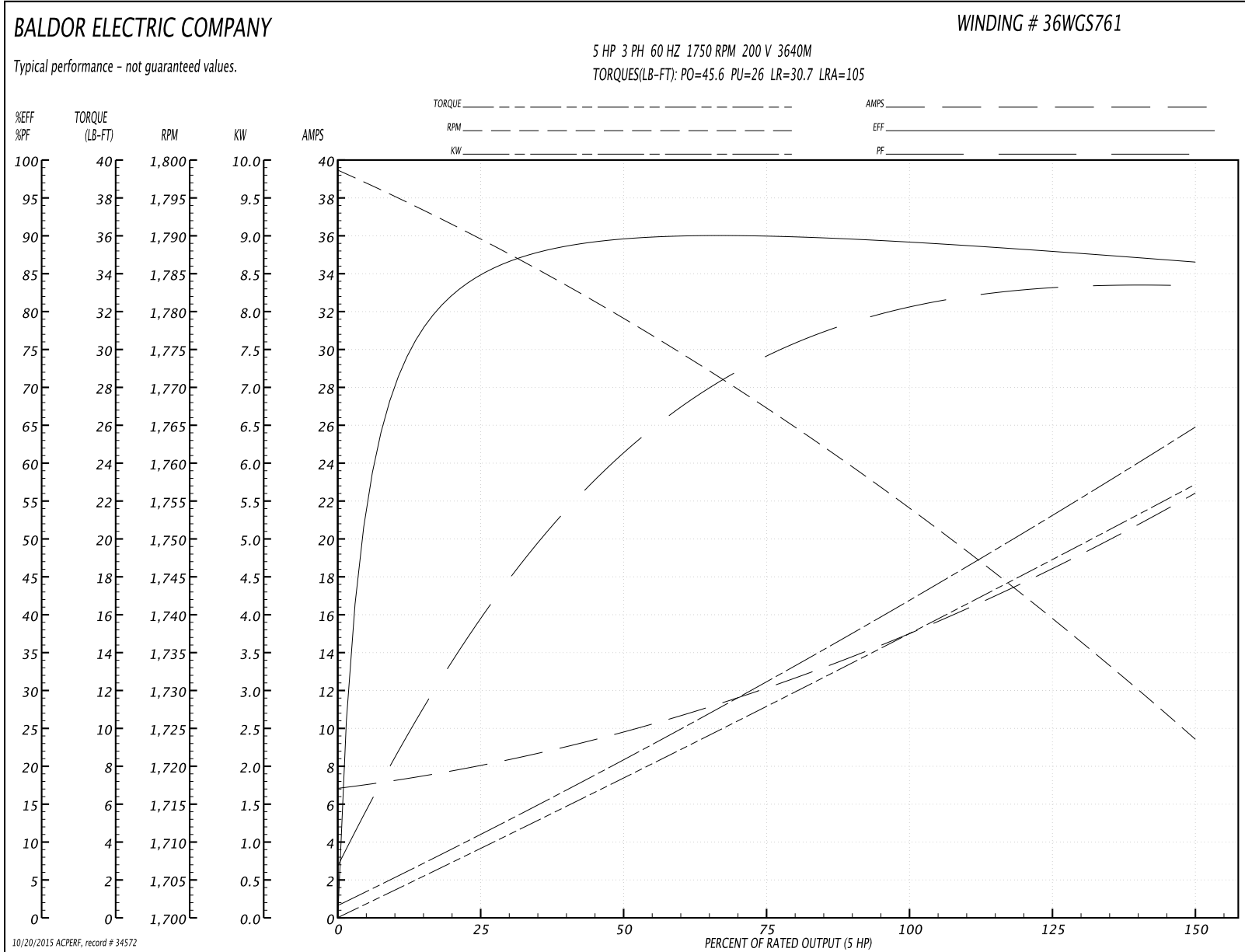
|                               |                    |                        |
|-------------------------------|--------------------|------------------------|
| <b>Winding:</b> 36WGS761-R001 | <b>Type:</b> 3640M | <b>Enclosure:</b> OPSB |
|-------------------------------|--------------------|------------------------|

| Nameplate Data        |              |              |    | 200 V, 60 Hz:<br>Single Voltage Motor |                          |
|-----------------------|--------------|--------------|----|---------------------------------------|--------------------------|
| Rated Output (HP)     | 5            |              |    | Full Load Torque                      | 15 LB-FT                 |
| Volts                 | 200          |              |    | Start Configuration                   | direct on line           |
| Full Load Amps        | 15.3         |              |    | Breakdown Torque                      | 45.6 LB-FT               |
| R.P.M.                | 1750         |              |    | Pull-up Torque                        | 26 LB-FT                 |
| Hz                    | 60           | Phase        | 3  | Locked-rotor Torque                   | 30.7 LB-FT               |
| NEMA Design Code      | B            | KVA Code     | J  | Starting Current                      | 105 A                    |
| Service Factor (S.F.) | 1.15         |              |    | No-load Current                       | 7.02 A                   |
| NEMA Nom. Eff.        | 89.5         | Power Factor | 80 | Line-line Res. @ 25°C                 | 0.495 Ω                  |
| Rating - Duty         | 40C AMB-CONT |              |    | Temp. Rise @ Rated Load               | 44°C                     |
| S.F. Amps             |              |              |    | Temp. Rise @ S.F. Load                | 54°C                     |
|                       |              |              |    | Rotor inertia                         | 0.372 LB-FT <sup>2</sup> |

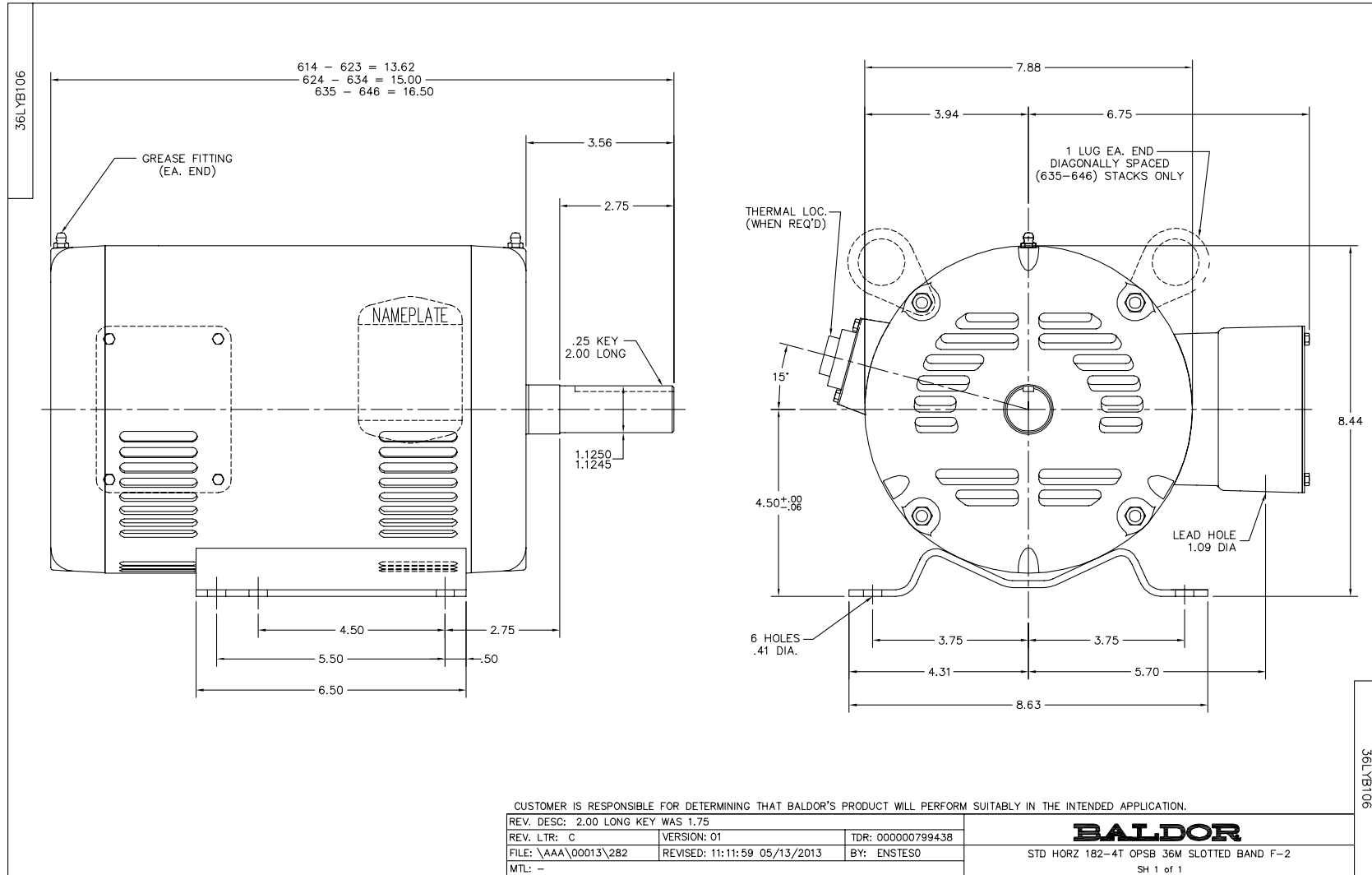
Load Characteristics 200 V, 60 Hz, 5 HP

| % of Rated Load | 25   | 50   | 75   | 100  | 125  | 150  | S.F. |
|-----------------|------|------|------|------|------|------|------|
| Power Factor    | 42   | 63   | 74   | 79   | 83   | 84   | 81   |
| Efficiency      | 84.1 | 89.1 | 89.9 | 89.5 | 88.4 | 86.3 | 88.8 |
| Speed           | 1789 | 1779 | 1767 | 1754 | 1740 | 1723 | 1746 |
| Line amperes    | 7.84 | 9.68 | 12.2 | 15.2 | 18.6 | 22.3 | 17.2 |

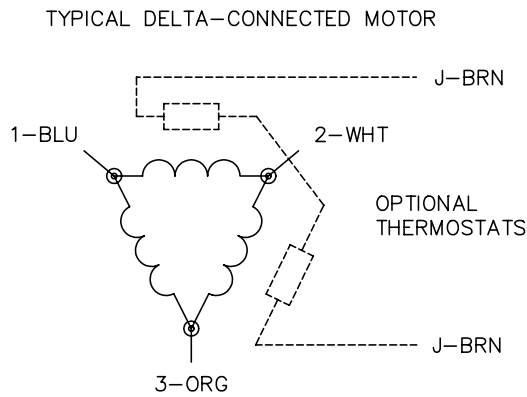
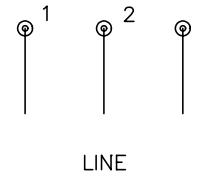
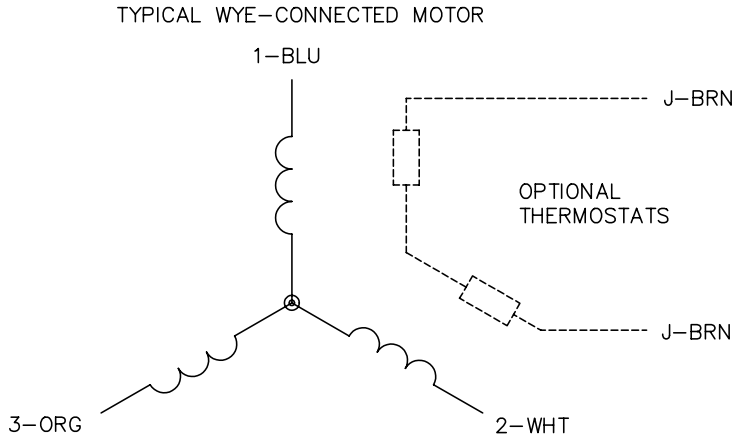
Performance Graph at 200V, 60Hz, 5.0HP Typical performance - Not guaranteed values







CD0006



NOTES:

1. THREE LEAD MOTOR MAY BE EITHER WYE CONNECTED OR DELTA CONNECTED.
2. INTERCHANGE ANY TWO LINE LEADS TO REVERSE ROTATION.
3. OPTIONAL THERMOSTATS ARE PROVIDED WHEN SPECIFIED.
4. ACTUAL NUMBER OF INTERNAL PARALLEL CIRCUITS MAY VARY.
5. LEAD COLORS ARE OPTIONAL. LEADS MUST BE NUMBERED AS SHOWN.

|   |         |                        |              |
|---|---------|------------------------|--------------|
| REV. DESC: REVISE TO SHOW OPTIONAL COLORS |         |                        |              |
| REV. LTR: D                               | BY: JLP | REVISED: 01/21/99 4:02 | TDR: 0171435 |
| 9000D                                     |         | FILE: AAA00005141      | MDL: -       |
|   |         | MTL: -                 |              |

**BALDOR ELECTRIC Co.**

3PH, SV, 3 LEADS, WYE OR DELTA CONNECTED

CD0006