

# **BALDOR**® • *RELIANCE*

## **Product Information Packet**

# **EFM3157T**

**2HP,1750RPM,3PH,60HZ,145T,3525M,OPSB,F2**

Part Detail							
Revision:	H	Status:	PRD/A	Change #:		Proprietary:	No
Type:	AC	Prod. Type:	3525M	Elec. Spec:	35WGM496	CD Diagram:	CD0005
Enclosure:	OPSB	Mfg Plant:		Mech. Spec:	35L654	Layout:	35LYL654
Frame:	145T	Mounting:	F2	Poles:	04	Created Date:	12-01-2010
Base:	RG	Rotation:	R	Insulation:	F	Eff. Date:	04-13-2015
Leads:	9#18					Replaced By:	
Literature:		Elec. Diagram:					

Nameplate NP1259L							
CAT.NO.	EFM3157T						
SPEC.	35L654M496G1						
HP	2						
VOLTS	230/460						
AMP	5.8/2.9						
RPM	1750						
FRAME	145T	HZ	60	PH	3		
SER.F.	1.15	CODE	K	DES	B	CL	F
NEMA-NOM-EFF	86.5	PF	76				
RATING	40C AMB-CONT						
CC	010A	USABLE AT 208V	5.8				
DE	6205	ODE	6203				
ENCL	OPSB	SN					

Parts List		
Part Number	Description	Quantity
SA213098	SA 35L654M496G1	1.000 EA
RA200324	RA 35L654M496G1	1.000 EA
S/P107-000-001	SUPER E PROC'S-FS, WS & CK PLTS	1.000 EA
NS2512A01	INSULATOR, CONDUIT BOX X	1.000 EA
35CB3007	35 CB CASTING W/.88 DIA. LEAD HOLE	1.000 EA
51XB1016A07	10-16 X 7/16 HXWSSLD SERTYB	2.000 EA
11XW1032G06	10-32 X .38, TAPTITE II, HEX WSHR SLTD U	1.000 EA
35EP3201A01	STD FR ENDPLATE-OPEN-203 BRG W/GREASER	1.000 EA
HW4500A01	1641B(ALEMITE)400 UNIV, GREASE FITT	1.000 EA
HW5100A03SP	WAVY WASHER (W1543-017)	1.000 EA
35EP3200A01	STD PU ENDPLATE-OPEN-205 BRG W/GREASER	1.000 EA
HW4500A01	1641B(ALEMITE)400 UNIV, GREASE FITT	1.000 EA
XY1032A02	10-32 HEX NUT DIRECTIONAL SERRATION	4.000 EA
35CB4521	35 LIPPED CB LID (GALV & PHOSPH)	1.000 EA
51XW0832A07	8-32 X .44, TAPTITE II, HEX WSHR SLTD SE	4.000 EA
HW2501D13SP	KEY, 3/16 SQ X 1.375	1.000 EA
HA7000A01	KEY RETAINER 7/8" DIA SHAFT	1.000 EA
85XU0407S04	4X1/4 U DRIVE PIN STAINLESS	2.000 EA
MJ1000A75	GREASE, POLYREX EM EXXON (USe 4824-15A)	0.050 LB
HA3100A38	THRUBOLT 10-32 X 9.375	4.000 EA
MG1000Y03	MUNSELL 2.53Y 6.70/ 4.60, GLOSS 20,	0.017 GA
35AD2005A01	BAFFLE PLATE,MOD 35-SLTD BAND MTRS GL.F.	2.000 EA
LC0005E01	CONN.DIA./WARNING LABEL (LC0005/LB1119N)	1.000 EA
NP1259L	ALUM SUPER-E UL CSA-EEV CC NEMA PREMIUM	1.000 EA

<b>Parts List (continued)</b>		
<b>Part Number</b>	<b>Description</b>	<b>Quantity</b>
35PA1066	PKG GRP, PRINT PK1008A06	1.000 EA
MN416A01	TAG-INSTAL-MAINT no wire (1200/bx) 11/14	1.000 EA

<b>Accessories</b>		
<b>Part Number</b>	<b>Description</b>	<b>Multiplier</b>
35-8764	C FACE KIT	A8
35EP1604A01SP	D-FLANGE KIT	A8

**AC Induction Motor Performance Data**

Record # 33882 - Typical performance - not guaranteed values

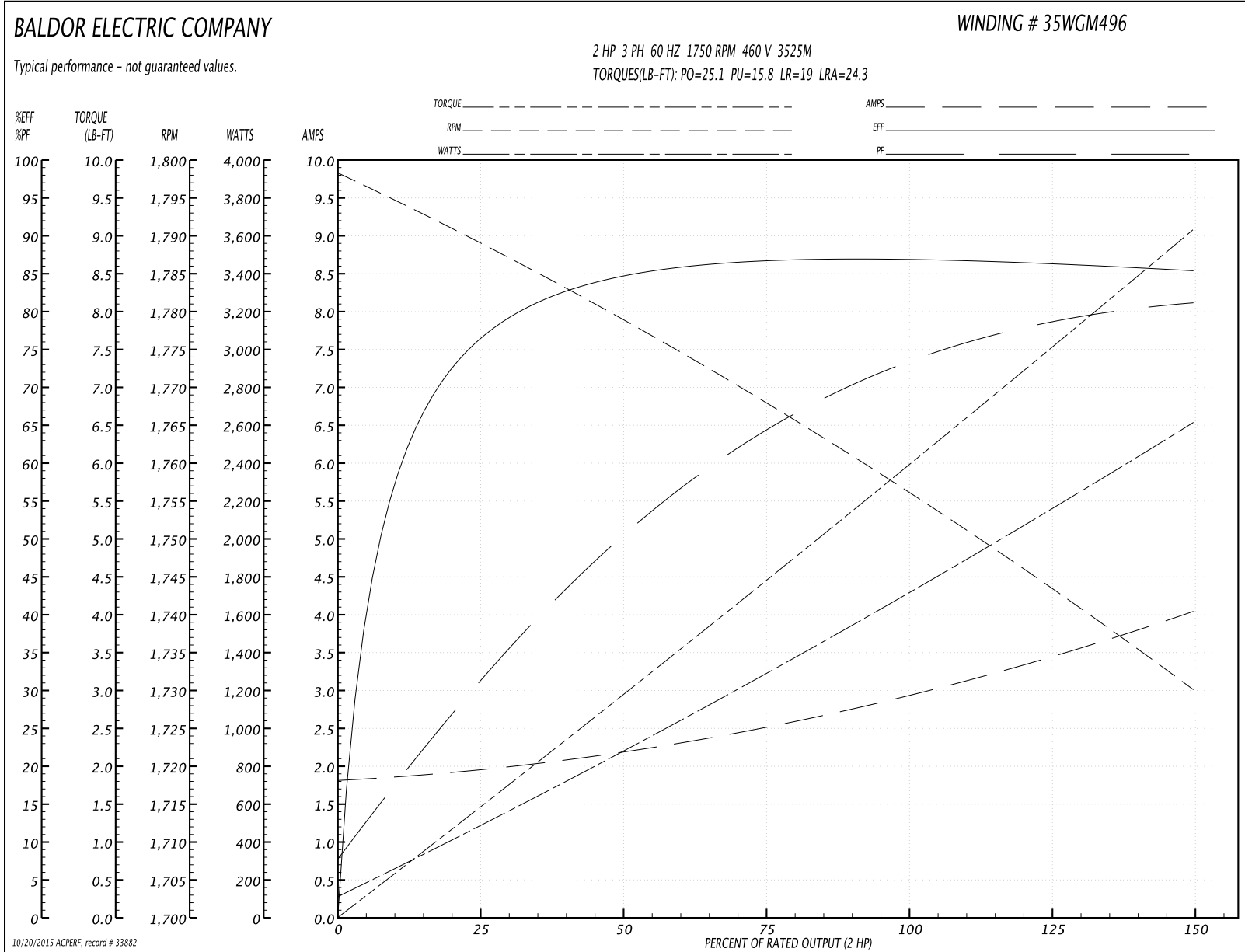
<b>Winding:</b> 35WGM496-R001	<b>Type:</b> 3525M	<b>Enclosure:</b> OPSB
-------------------------------	--------------------	------------------------

Nameplate Data				460 V, 60 Hz: High Voltage Connection	
Rated Output (HP)	2			Full Load Torque	5.96 LB-FT
Volts	230/460			Start Configuration	direct on line
Full Load Amps	5.8/2.9			Breakdown Torque	25.1 LB-FT
R.P.M.	1750			Pull-up Torque	15.8 LB-FT
Hz	60	Phase	3	Locked-rotor Torque	19 LB-FT
NEMA Design Code	B	KVA Code	K	Starting Current	24.3 A
Service Factor (S.F.)	1.15			No-load Current	1.83 A
NEMA Nom. Eff.	86.5	Power Factor	76	Line-line Res. @ 25°C	7.5814 Ω
Rating - Duty	40C AMB-CONT			Temp. Rise @ Rated Load	40°C
S.F. Amps				Temp. Rise @ S.F. Load	47°C
				Rotor inertia	0.148 LB-FT <sup>2</sup>

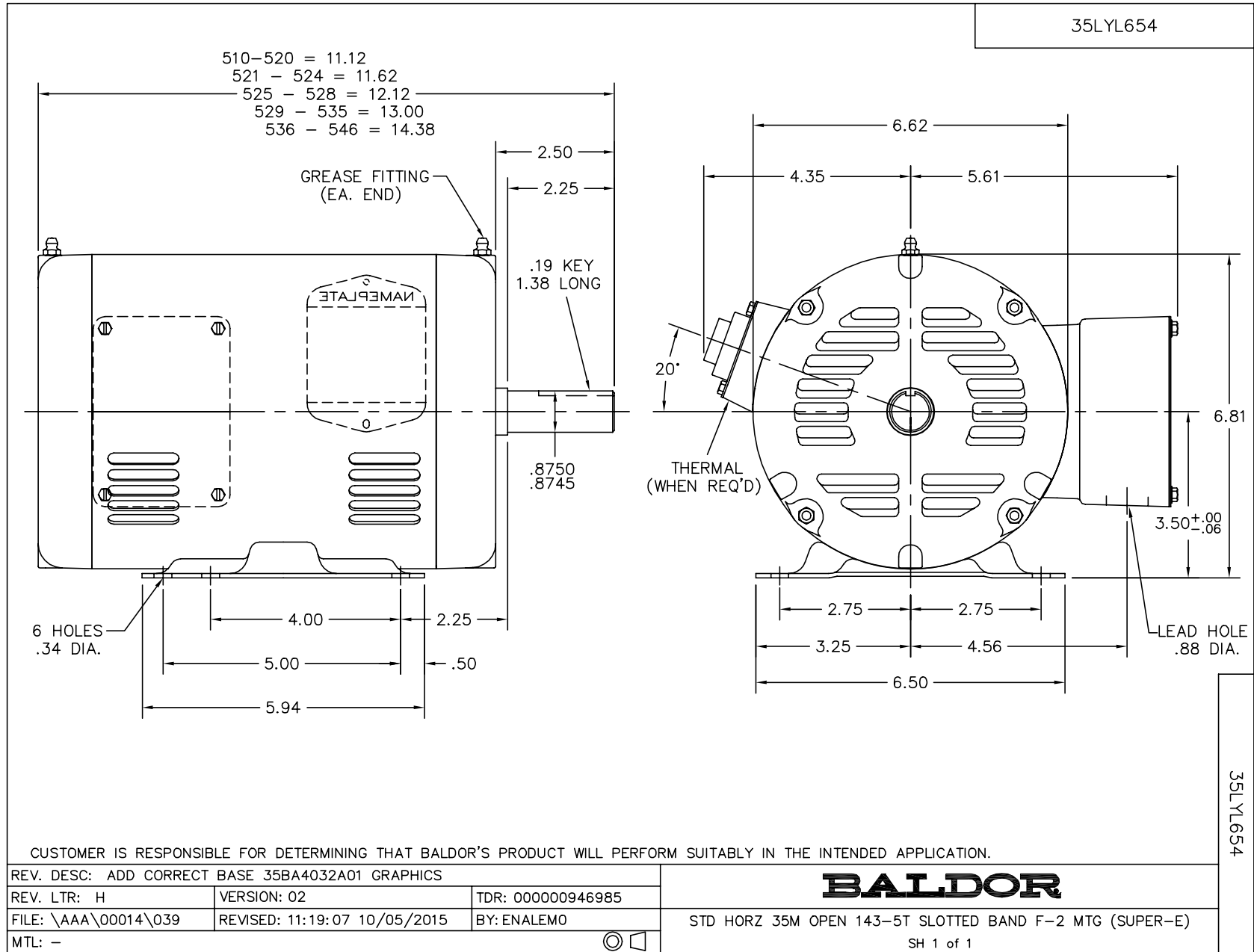
**Load Characteristics 460 V, 60 Hz, 2 HP**

% of Rated Load	25	50	75	100	125	150	S.F.
Power Factor	32	51	64	73	78	82	76
Efficiency	76	84.4	86.6	86.9	86.4	85.2	86.6
Speed	1788.5	1778.5	1767.8	1756.9	1744.4	1729.4	1749
Line amperes	1.94	2.16	2.52	2.95	3.45	4.03	3.25

Performance Graph at 460V, 60Hz, 2.0HP Typical performance - Not guaranteed values



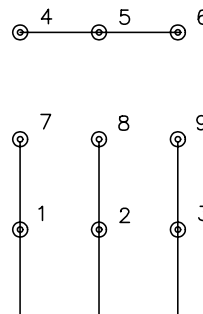




CD0005

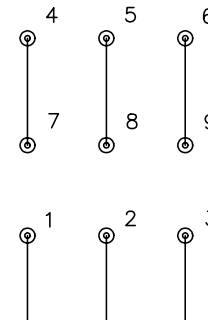


LOW VOLTAGE  
(2Y)



LINE

HIGH VOLTAGE  
(1Y)



LINE

NOTES:

1. INTERCHANGE ANY TWO LINE LEADS TO REVERSE ROTATION.
2. OPTIONAL THERMOSTATS ARE PROVIDED WHEN SPECIFIED.
3. ACTUAL NUMBER OF INTERNAL PARALLEL CIRCUITS MAY BE A MULTIPLE OF THOSE SHOWN ABOVE.
4. LEAD COLORS ARE OPTIONAL. LEADS MUST ALWAYS BE NUMBERED AS SHOWN.

REV. DESC: REVISE TO SHOW OPTIONAL COLORS			
REV. LTR: E	BY: JLP	REVISED: 01/19/99 10:15	TDR: 0171435
90000		FILE: AAA00005140	MDL: -
		MTL: -	

**BALDOR ELECTRIC Co.**

3PH, DV, 9 LEADS

CD0005