

BALDOR® • RELIANCE

Product Information Packet

EFM2513T-8

15HP, 1765RPM, 3PH, 60HZ, 254T, 3938M, OPSB, F2

| Part Detail | | | | | | | |
|-------------|------|----------------|-------|-------------|----------|---------------|------------|
| Revision: | Y | Status: | PRD/A | Change #: | | Proprietary: | No |
| Type: | AC | Prod. Type: | 3938M | Elec. Spec: | 39WGW947 | CD Diagram: | CD0006 |
| Enclosure: | OPSB | Mfg Plant: | | Mech. Spec: | 39K70 | Layout: | 39LYK070 |
| Frame: | 254T | Mounting: | F2 | Poles: | 04 | Created Date: | |
| Base: | RG | Rotation: | R | Insulation: | F | Eff. Date: | 05-06-2015 |
| Leads: | 3#8 | | | | | Replaced By: | |
| Literature: | | Elec. Diagram: | | | | | |

| Nameplate NP1259L | | | | | | | |
|-------------------|--------------|----------------|------|-----|---|----|---|
| CAT.NO. | EFM2513T-8 | | | | | | |
| SPEC. | 39K070W947G1 | | | | | | |
| HP | 15 | | | | | | |
| VOLTS | 200 | | | | | | |
| AMP | 40.7 | | | | | | |
| RPM | 1765 | | | | | | |
| FRAME | 254T | HZ | 60 | PH | 3 | | |
| SER.F. | 1.15 | CODE | H | DES | B | CL | F |
| NEMA-NOM-EFF | 93 | PF | 85 | | | | |
| RATING | 40C AMB-CONT | | | | | | |
| CC | 010A | USABLE AT 208V | 40.5 | | | | |
| DE | 6309 | ODE | 6208 | | | | |
| ENCL | OPSB | SN | | | | | |
| | | | | | | | |

| Parts List | | |
|----------------|--|----------|
| Part Number | Description | Quantity |
| SA039281 | SA 39K070W947G1 | 1.000 EA |
| RA035247 | RA 39K070W947G1 | 1.000 EA |
| S/P107-000-005 | SUPER-E PROC'S(254/6 FR.) ZK PLANT - POL | 1.000 EA |
| HA6361A01 | LIFTING LUG FOR 37, 39 & 40 FRAME ZINC | 2.000 EA |
| HA6016 | ADAPTER, CAST CONDUIT BOX | 1.000 EA |
| 09CB3002SP | CB W/1.38 LEAD HOLE FOR 37, 39, 307 & 30 | 1.000 EA |
| 51XW2520A12 | .25-20 X .75, TAPTITE II, HEX WSHR SLTD | 2.000 EA |
| HW1001A25 | LOCKWASHER 1/4, ZINC PLT .493 OD, .255 I | 2.000 EA |
| WD1000B17 | T&B CX35TN TERMINAL | 1.000 EA |
| 51XW1032A06 | 10-32 X .38, TAPTITE II, HEX WSHR SLTD S | 1.000 EA |
| 39EP3200A01SP | FR/PU ENDPLATE, MACH | 1.000 EA |
| HW5100A08 | W3118-035 WVY WSHR (WB) | 1.000 EA |
| 39EP3201A13 | PU ENDPLATE, MACH | 1.000 EA |
| XY3816A12 | 3/8-16 FINISHED NUT | 8.000 EA |
| 09CB3501SP | CONDUIT BOX LID FOR 09CB3001 & 09CB3002 | 1.000 EA |
| 51XW2520A12 | .25-20 X .75, TAPTITE II, HEX WSHR SLTD | 2.000 EA |
| HW2501G25 | KEY, 3/8 SQ X 2.875 | 1.000 EA |
| LB1115N | LABEL,LIFTING DEVICE (ON ROLLS) | 1.000 EA |
| HA4051A00 | PLASTIC CAP FOR GREASE FITTING | 1.000 EA |
| HW4500A03 | GREASE FITTING, .125 NPT 1610(ALEMITE) 8 | 1.000 EA |
| HW4500A20 | 1/8NPT SL PIPE PLUG | 1.000 EA |
| MJ1000A75 | GREASE, POLYREX EM EXXON (USe 4824-15A) | 0.030 LB |
| HA4051A00 | PLASTIC CAP FOR GREASE FITTING | 1.000 EA |
| HW4500A03 | GREASE FITTING, .125 NPT 1610(ALEMITE) 8 | 1.000 EA |

| Parts List (continued) | | |
|-------------------------------|--|-----------------|
| Part Number | Description | Quantity |
| HW4500A20 | 1/8NPT SL PIPE PLUG | 1.000 EA |
| 85XU0407S04 | 4X1/4 U DRIVE PIN STAINLESS | 2.000 EA |
| 39AD2002A01 | BAFFLE PLATE 39 OPEN, SLOTTED BAND MTRS | 2.000 EA |
| HA3154A09 | TB STUD 3/8-16 X 16.25 | 4.000 EA |
| MG1000Y03 | MUNSELL 2.53Y 6.70/ 4.60, GLOSS 20, | 0.050 GA |
| LB1119N | WARNING LABEL | 1.000 EA |
| LC0006 | CONNECTION LABEL | 1.000 EA |
| NP1259L | ALUM SUPER-E UL CSA-EEV CC NEMA PREMIUM | 1.000 EA |
| 39PA1000 | PACKAGING GROUP 39 PRINT | 1.000 EA |
| MN416A01 | TAG-INSTAL-MAINT no wire (1200/bx) 11/14 | 1.000 EA |

| Accessories | | |
|--------------------|--------------------|-------------------|
| Part Number | Description | Multiplier |
| 39-3400 | C FACE KIT | A8 |

AC Induction Motor Performance Data

Record # 13005 - Typical performance - not guaranteed values

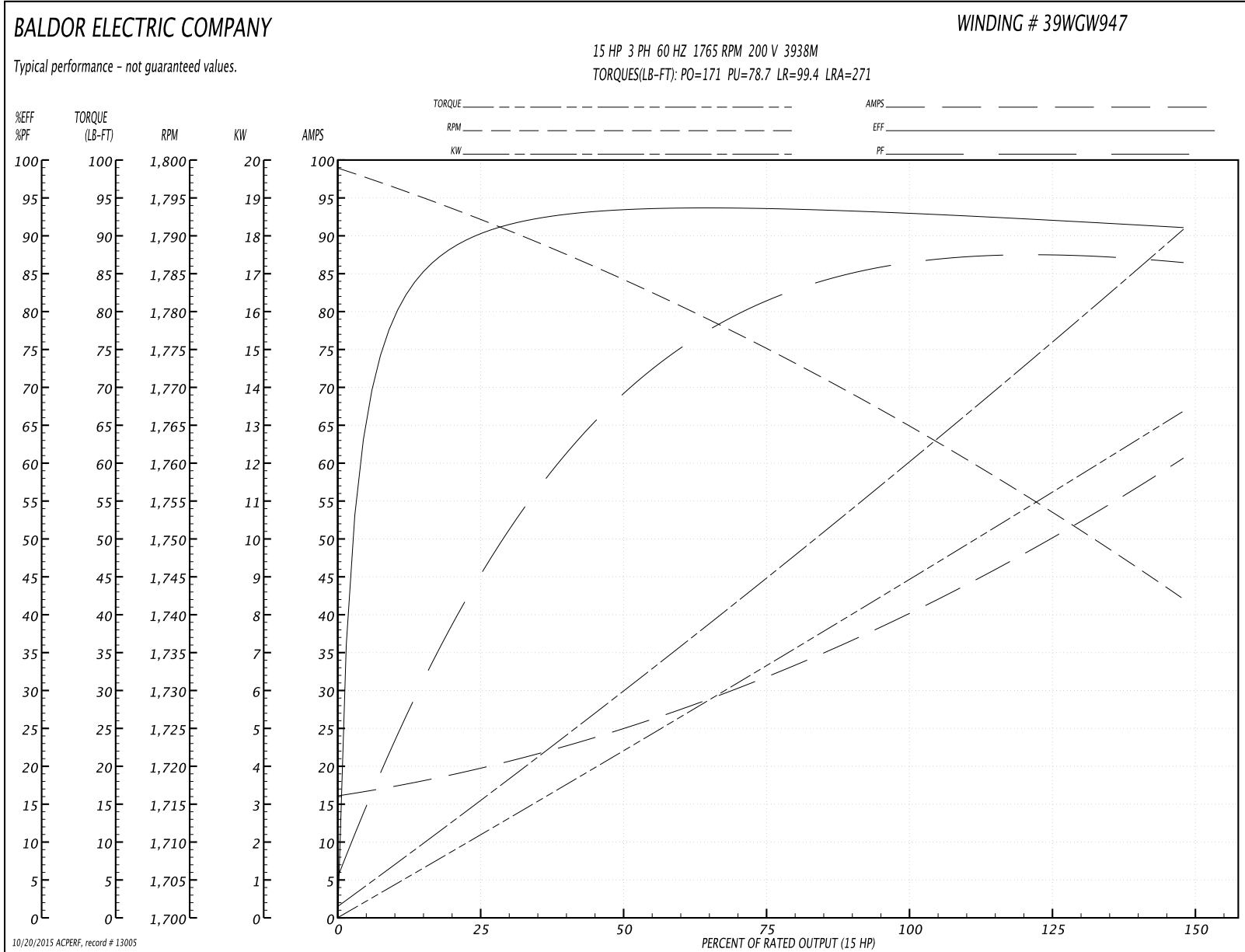
| | | |
|-------------------------------|--------------------|------------------------|
| Winding: 39WGW947-R001 | Type: 3938M | Enclosure: OPSB |
|-------------------------------|--------------------|------------------------|

| Nameplate Data | | | | 200 V, 60 Hz: Single Voltage Motor | |
|-----------------------|--------------|--------------|----|---------------------------------------|-------------------------|
| Rated Output (HP) | 15 | | | Full Load Torque | 44.6 LB-FT |
| Volts | 200 | | | Start Configuration | direct on line |
| Full Load Amps | 40.7 | | | Breakdown Torque | 171 LB-FT |
| R.P.M. | 1765 | | | Pull-up Torque | 78.7 LB-FT |
| Hz | 60 | Phase | 3 | Locked-rotor Torque | 99.4 LB-FT |
| NEMA Design Code | B | KVA Code | H | Starting Current | 271 A |
| Service Factor (S.F.) | 1.15 | | | No-load Current | 16.7 A |
| NEMA Nom. Eff. | 93 | Power Factor | 85 | Line-line Res. @ 25°C | 0.116 Ω |
| Rating - Duty | 40C AMB-CONT | | | Temp. Rise @ Rated Load | 22°C |
| S.F. Amps | | | | Temp. Rise @ S.F. Load | 29°C |
| | | | | Rotor inertia | 1.66 LB-FT ² |

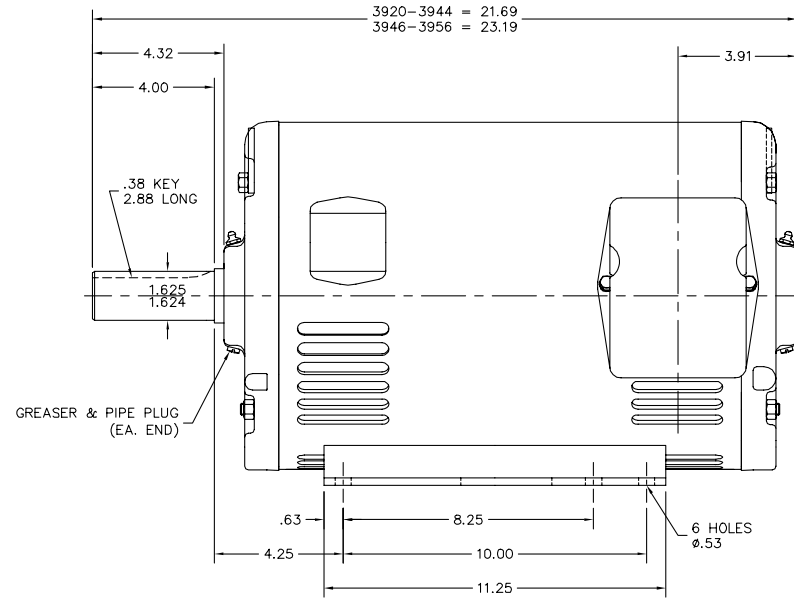
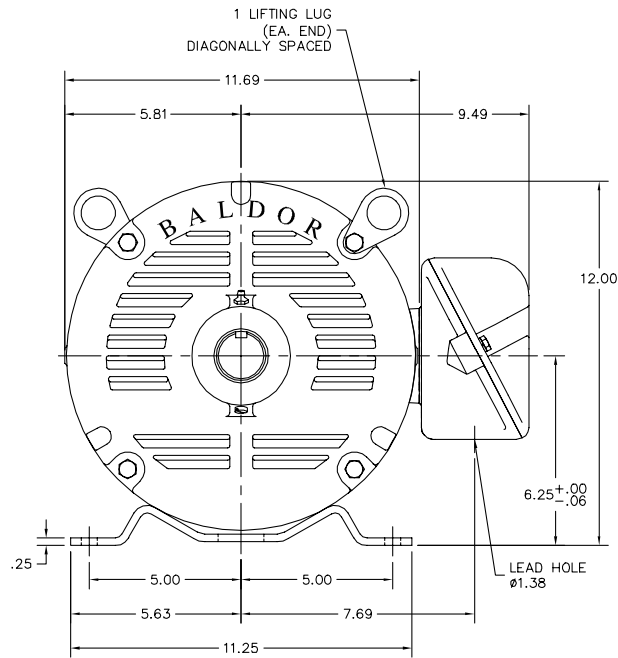
Load Characteristics 200 V, 60 Hz, 15 HP

| % of Rated Load | 25 | 50 | 75 | 100 | 125 | 150 | S.F. |
|-----------------|------|------|------|------|------|------|------|
| Power Factor | 47 | 70 | 81 | 86 | 88 | 89 | 0 |
| Efficiency | 90.1 | 93.3 | 93.5 | 93.1 | 92.2 | 91 | 0 |
| Speed | 1792 | 1784 | 1775 | 1765 | 1754 | 1742 | 0 |
| Line amperes | 19 | 24.7 | 32.2 | 40.6 | 50 | 60.3 | 46.3 |

Performance Graph at 200V, 60Hz, 15.0HP Typical performance - Not guaranteed values



39LYK070



39LYK070

CUSTOMER IS RESPONSIBLE FOR DETERMINING THAT BALDOR'S PRODUCT WILL PERFORM SUITABLY IN THE INTENDED APPLICATION.

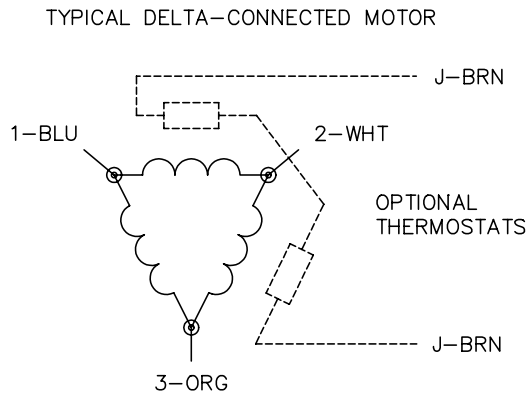
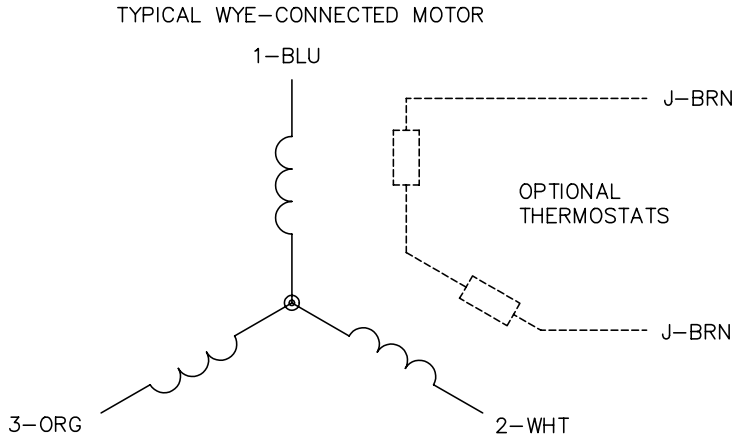
| | | |
|---------------------------------------|------------------------------|-------------------|
| REV. DESC: FIXED DESC. TO READ "OPSB" | VERSION: 03 | TDR: 000000550965 |
| REV. LTR: E | REVISED: 08:44:39 07/27/2010 | BY: ENKENTO |
| FILE: \AAA\00013\078 | | |
| MTL: - | | |

BALDOR

H0RZ OPSB 254-6T F2

SH 1 of 1

CD0006



NOTES:

1. THREE LEAD MOTOR MAY BE EITHER WYE CONNECTED OR DELTA CONNECTED.
2. INTERCHANGE ANY TWO LINE LEADS TO REVERSE ROTATION.
3. OPTIONAL THERMOSTATS ARE PROVIDED WHEN SPECIFIED.
4. ACTUAL NUMBER OF INTERNAL PARALLEL CIRCUITS MAY VARY.
5. LEAD COLORS ARE OPTIONAL. LEADS MUST BE NUMBERED AS SHOWN.

| | | | |
|---|---------|------------------------|--------------|
| REV. DESC: REVISE TO SHOW OPTIONAL COLORS | | | |
| REV. LTR: D | BY: JLP | REVISED: 01/21/99 4:02 | TDR: 0171435 |
| 9000D | | FILE: AAA00005141 | MDL: - |
| | | MTL: - | |

BALDOR ELECTRIC Co.

3PH, SV, 3 LEADS, WYE OR DELTA CONNECTED

CD0006