

BALDOR® • **RELIANCE**

Product Information Packet

ECP44256T-4

250HP, 1188RPM, 3PH, 60HZ, 449T, A44160M, TEFC

Part Detail							
Revision:	K	Status:	PRD/A	Change #:		Proprietary:	No
Type:	AC	Prod. Type:	A44160M	Elec. Spec:	A44WG0351	CD Diagram:	416820-036
Enclosure:	TEFC	Mfg Plant:		Mech. Spec:		Layout:	617427-003
Frame:	449T	Mounting:	F1	Poles:	06	Created Date:	08-16-2012
Base:		Rotation:	R	Insulation:	F	Eff. Date:	10-05-2015
Leads:	3#1/0 (02 per group)					Replaced By:	
Literature:		Elec. Diagram:					

Nameplate NP3238									
CAT NO	ECP44256T-4	SPEC NO.	P44G3951						
HP	250	AMPS	283	VOLTS	460	DESIGN	B		
FRAME	449T	RPM	1188	HZ	60	AMB	40	SF	1.15
D.E. BRG.DATA	6318	O.D.E. BRG.DATA	6318	PH	3	DUTY	CONT	INSUL.CLASS	F
D.E. BRG.	90BC03J30X	TYPE	P	ENCL	TEFC	CODE	G		
O.D.E. BRG.	90BC03J30X	POWER FACTOR	86	NEMA NOM EFFICIENCY	96.2				
3/4 LOAD EFF.	96.5	MAX CORR KVAR	55.0	GUARANTEED EFFICIENCY	95.8				
TEMP CODE	T2C	TEMP =	230						
CHP HZ	60-90	CT HZ	30-60	VT HZ	0-60				
INVERTER-TEMP-CODE	T2C								
SER.NO.		MOTOR WEIGHT	3090						

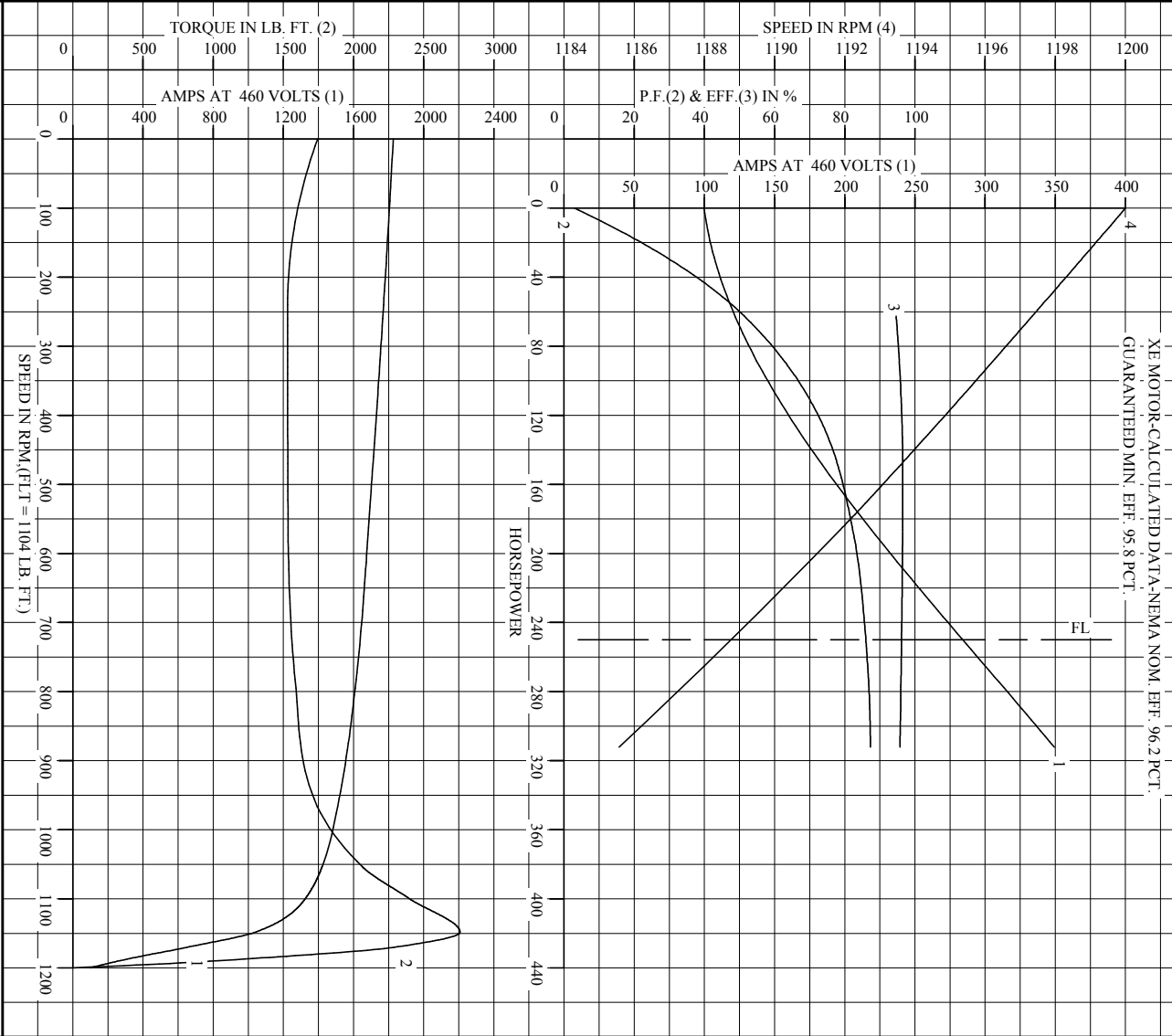
Parts List		
Part Number	Description	Quantity
SA249721	SA P44G3951	1.000 EA
RA236581	RA P44G3951	1.000 EA
000613006PU	N/P UL CSA LABEL	1.000 EA
NP3238	SS CP XEX SEVERE DUTY MAIN NP	1.000 EA
000692000FF	N/P	1.000 EA
000692000VD	LABEL WARNING	1.000 EA
004824015A	GREASE POLYREX EM	1.156 LB
032018008CK	HHCS 3/8-16X1L PLATED	4.000 EA
032018020FK	HHCS 3/4-10X2-1/2 PLTD.	4.000 EA
032018036DK	HHCS 1/2-13X4-1/2 PLTD.	3.000 EA
032620016LA	SOCKET SET SCREW-449	3.000 EA
034017014AB	LCKW 3/8 STD. PLATED	4.000 EA
034180014DA	KEY 1/4X1/4X1-3/4 L	1.000 EA
034530064AB	P/NIP 1/8X8" GALV.	1.000 EA
034530064BB	P/NIP 1/4X8 PLATED	1.000 EA
034631002AB	BUSH 1/4 TO 1/8 PLTD.	1.000 EA
035000001G	GREASE RELIEF FITTING, ALEMITE 317400	1.000 EA
034690005AB	PPLG 3/4 PLATED	1.000 EA
078557001E	FAN 440 078557001F	1.000 EA
083199082A	G28 FAN COVER MACHINING SHORT VERSION	1.000 EA
089490099A	G28 BRKT 089490098WCA KB	1.000 EA
410700004A	WSHR	1.000 EA
412118006A	DRAIN	1.000 EA
415045002A	SLGR	1.000 EA

Parts List (continued)		
Part Number	Description	Quantity
415072001B	CLAMP	1.000 EA
415096002A	CPLG 1/8 HEX TYPE	1.000 EA
032018004BK	HHCS 5/16-18X1/2 PLATED	3.000 EA
032018006BK	HHCS 5/16-18X3/4 PLATED	3.000 EA
032018020FK	HHCS 3/4-10X2-1/2 PLTD.	4.000 EA
032018030DK	HHCS 1/2-13X3-3/4 PLTD.	3.000 EA
034017013AB	LCKW 5/16 STD. PLATED	3.000 EA
034530064AB	P/NIP 1/8X8" GALV.	1.000 EA
034530064BB	P/NIP 1/4X8 PLATED	1.000 EA
034631002AB	BUSH 1/4 TO 1/8 PLTD.	1.000 EA
035000001G	GREASE RELIEF FITTING, ALEMITE 317400	1.000 EA
034017013AB	LCKW 5/16 STD. PLATED	3.000 EA
089490099A	G28 BRKT 089490098WCA KB	1.000 EA
415915007G	GASK, LAC	1.000 FT
412118006A	DRAIN	1.000 EA
415045002E	SLGR	1.000 EA
415096002A	CPLG 1/8 HEX TYPE	1.000 EA
418151014G	RETAIN RING	1.000 EA
702623022A	G28 AIR DEFLECTOR DRIVE END -- PLASTIC	1.000 EA
702623013A	THERMAL BARRIER -- G28 -- BRACKET MTD	1.000 EA
032018008BK	HHCS 5/16-18X1L PLATED	4.000 EA
032018008DK	HHCS 1/2-13X1 PLATED	4.000 EA
033512004LB	HHTTS 1/4-20X1/2 PLTD.	1.000 EA
035000001A	ALFTG 1/8" 1610-BL	1.000 EA

Product Information Packet: ECP44256T-4 - 250HP,1188RPM,3PH,60HZ,449T,A44160M,TEFC

035000001A	ALFTG 1/8" 1610-BL	1.000 EA
067053014A	GASK 440	1.000 EA
076870000B	+CBCST BLKT - 440	1.000 EA
076871000A	+CBOX CVR BLKT - 449	1.000 EA
406056007A	GASKET, 440	1.000 EA
406099000A	PLUG - FAN COVER 320-440	1.000 EA
415000103D	T/LUG #4AWG-1/0AWG W/HOLE FOR .250 BOLT	1.000 EA
418150003A	GREASE FITTING CAP	1.000 EA
418150003A	GREASE FITTING CAP	1.000 EA
033775004EA	DRSCR #6-1/4 304 S.S.	2.000 EA
034180054KA	KEY 7/8X7/8X6-3/4 L	1.000 EA
004824003AJD	WILKO 778.50 BLUE GREEN - 55 GAL DRUMS	0.375 GA
004824003CBY	WILKO PAINT 060.02 - ACTIVATOR	0.094 GA
L482401016	SPRAY AC-29-7S	0.019 GA
421948051	LABEL, MYLAR	1.000 EA
PK5005A01	WOOD BASE 449 60 X 41-1/2 BLT 25 X 18	1.000 EA
LB1449	DIV-2/NEC WARNING LABEL	1.000 EA

REL. S.O. _____ RPM 1188 S.F. 1.15 ROTOR 418143090SE
 FRAME 449T VOLTS 460 NEMA DESIGN B TEST S.O. ---
 HP 250 AMPS 283 CODE LETTER G TEST DATE ---
 TYPE P DUTY CONT ENCLOSURE FCXE STATOR RES. @ 25 °C .0158
 PHASE/HERTZ 3/60 AMB °C/INSUL 40/F E/S 401799 OHMS (BETWEEN LINES)



AMPERES SHOWN FOR 460 VOLT CONNECTION, IF OTHER VOLTAGE CONNECTIONS ARE AVAILABLE, THE AMPERES WILL VARY INVERSELY WITH THE RATED VOLTAGE.

BALDOR
 A MEMBER OF THE ABB GROUP

DR. BY B.R. BENDLEY
 CK. BY C.P. WILLEY
 APP. BY C.P. WILLEY
 DATE 12/16/12

A-C MOTOR PERFORMANCE CURVES
 A44W/G0351-R004
 ISSUE DATE 12/16/12

C/R 367822 Printed on 12/17/12 8:11 @ ragsun


REL. S.O.	FRAME	HP	TYPE	PHASE/HERTZ	RPM	VOLTS
	449T	250	P	3/60	1188	460
AMPS	DUTY	AMB °C/ INSUL.	S.F.	NEMA DESIGN	CODE LETTER	ENCL.
283	CONT	40/F	1.15	B	G	FCXE
E/S	ROTOR	TEST S.O.	TEST DATE	STATOR RES. @25 °C (OHMS (BETWEEN LINES))		
401799	418143090SE	---	---	.0158		

PERFORMANCE						
LOAD	HP	AMPERES	RPM	POWER FACTOR %	EFFICIENCY %	
NO LOAD	0	100	1200	2.92	0	
1/4	62.6	120	1197	51.4	94.6	
2/4	125	165	1195	73.6	96.3	
3/4	187	221	1192	82.4	96.5	
4/4	250	283	1189	86.0	96.2	
5/4	312	350	1186	87.3	95.7	

SPEED TORQUE						
	RPM	TORQUE % FULL LOAD	TORQUE LB.-FT.	AMPERES		
LOCKED ROTOR	0	158	1744	1827		
PULL UP	240	139	1531	1771		
BREAKDOWN	1148	250	2759	1039		
FULL LOAD	1189	100	1104	283		

AMPERES SHOWN FOR 460. VOLT CONNECTION. IF OTHER VOLTAGE CONNECTIONS ARE AVAILABLE, THE AMPERES WILL VARY INVERSELY WITH THE RATED VOLTAGE

REMARKS: XE MOTOR-CALCULATED DATA-NEMA NOM. EFF. 96.2 PCT.
GUARANTEED MIN. EFF. 95.8 PCT.

	DR. BY	B. R. PENDLEY	A-C MOTOR PERFORMANCE DATA A44WG0351-R004 ISSUE DATE 12/16/12
	CK. BY	C. P. WILLEY	
A MEMBER OF THE ABB GROUP		APP. BY	C. P. WILLEY
		DATE	12/16/12

C/R 367822

Printed on 12/17/12 8:11 @ ragsun

DUTY MASTER ALTERNATING CURRENT MOTORS

SQUIRREL-CAGE INDUCTION

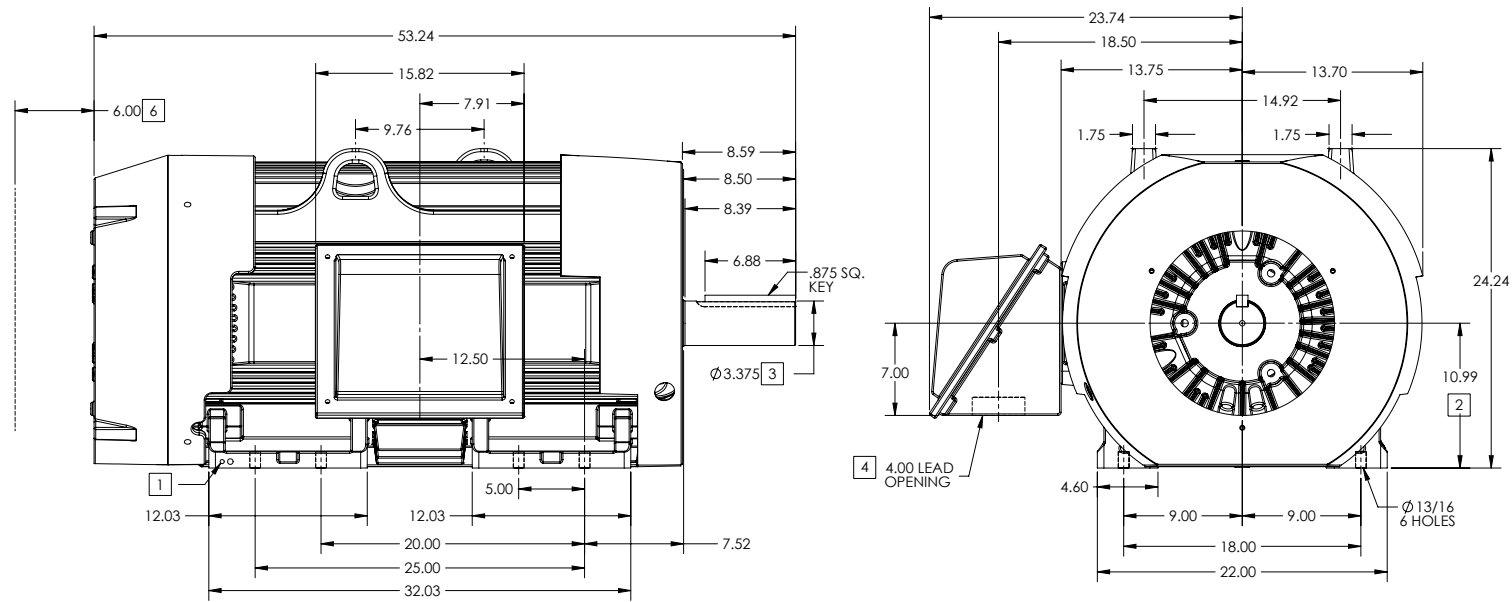
ENCLOSURE: TOTALLY ENCLOSED

FRAME 449T ABOVE NEMA RATINGS (1800 RPM MAX)

COOLING: FAN COOLED

MOUNTING: FOOT

INCLUDES 447T FRAME MOUNTING HOLES



1. GROUND HOLES QTY 1 1/2-13 TAP; QTY 1 3/8-16 TAP
2. VARIES +.00,-.06
3. VARIES +.00,-.001
4. ON STANDARD MOTORS THIS IS CONDUIT SIZE. ON XT AND CORROSION PROOF MOTOR THIS IS PIPE TAP.
5. MOTOR WEIGHTS MAY VARY BY 1.5% DEPENDING ON RATING.
6. OBSTRUCTION MUST NO ENCROACH ON AIR INLET

CONDUIT BOX LOCATED ON OPPOSITE SIDE WHEN F-2.
IF MOUNTING CLEARANCE DETAILS ARE REQUIRED, CONSULT FACTORY.
MAXIMUM PERMISSIBLE SHAFT RUNOUT WHEN MEASURED AT END OF STANDARD SHAFT EXTENSION IS .003" T.I.R. TO 5 INCH DIA.

5 WEIGHT (LBS): 3080

DRIVE END AIR DEFLECTOR IS ONLY INCLUDED WHEN NECESSARY.

DIMENSIONS ARE IN INCHES; SEE SHEET 2 FOR DIMENSIONS IN MILLIMETERS

CUSTOMER IS RESPONSIBLE FOR DETERMINING THAT MOTOR PERFORMANCE IS SUITABLE IN THE APPLICATION.

SHEET NUMBER
1 OF 2

6007-27-119

REV. DESC: CHANGING ENCLOSURE TO "TOTALLY ENCLOSED" WAS "UL..."			
REV: A	VERSION: 01	REVISED: 08-28-52 02/15/2013	TDR: 000000786306
MODEL NO. 617427-003			
BY: MGHWCG			

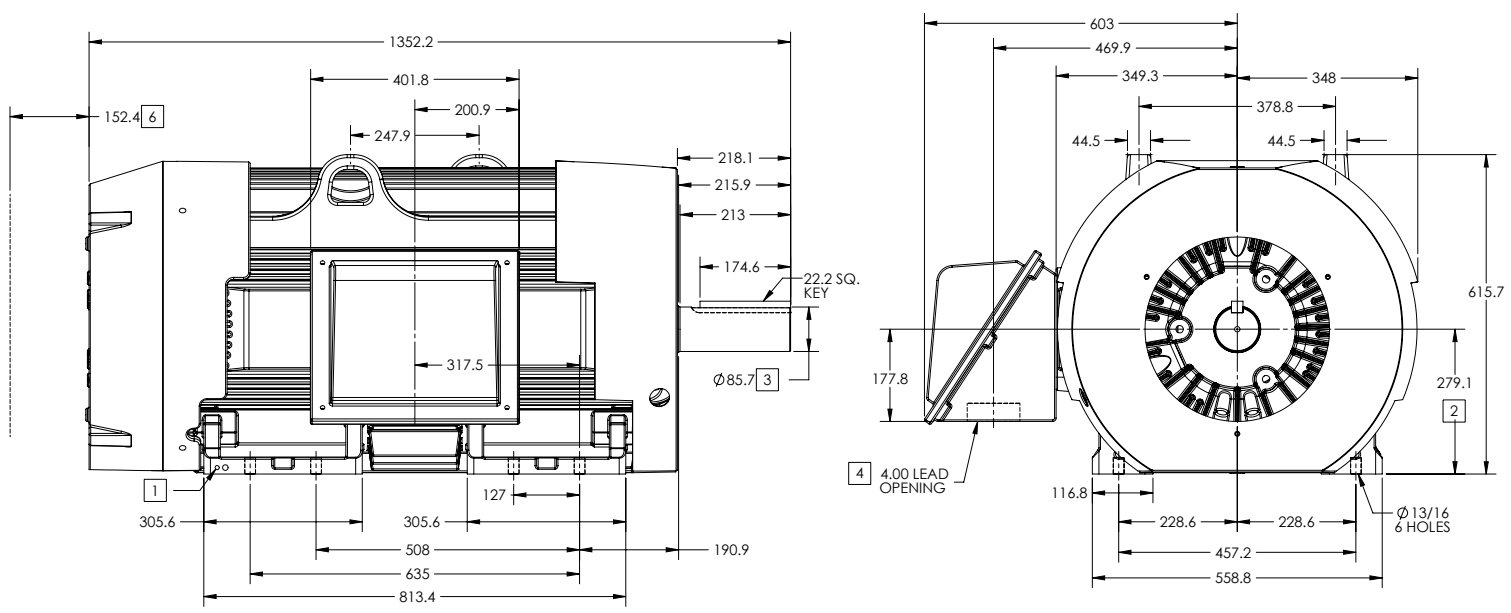
BALDOR

G449T-447T STD - FOOTED - SIDE/CENTER CB

617427-003

DUTY MASTER ALTERNATING CURRENT MOTORS
SQUIRREL-CAGE INDUCTION

ENCLOSURE: TOTALLY ENCLOSED FRAME 449T ABOVE NEMA RATINGS (1800 RPM MAX) COOLING: FAN COOLED
MOUNTING: FOOT INCLUDES 447T FRAME MOUNTING HOLES



1. GROUND HOLES QTY 1 1/2-13 TAP; QTY 1 3/8-16 TAP
2. VARIES +.00,-.06
3. VARIES +.000,-.001
4. ON STANDARD MOTORS THIS IS CONDUIT SIZE. ON XT AND CORROSION PROOF MOTOR THIS IS PIPE TAP.
5. MOTOR WEIGHTS MAY VARY BY 15% DEPENDING ON RATING.
6. OBSTRUCTION MUST NO ENCROACH ON AIR INLET

CONDUIT BOX LOCATED ON OPPOSITE SIDE WHEN F-2.
IF MOUNTING CLEARANCE DETAILS ARE REQUIRED, CONSULT FACTORY.
MAXIMUM PERMISSIBLE SHAFT RUNOUT WHEN MEASURED AT END OF STANDARD SHAFT EXTENSION IS .08 MM T.I.R. TO 127 MM DIA.

5 WEIGHT (KGS): 1400

DRIVE END AIR DEFLECTOR IS ONLY INCLUDED WHEN NECESSARY.

DIMENSIONS ARE IN MILLIMETERS; SEE SHEET 1 FOR DIMENSIONS IN INCHES

CUSTOMER IS RESPONSIBLE FOR DETERMINING THAT MOTOR PERFORMANCE IS SUITABLE IN THE APPLICATION.

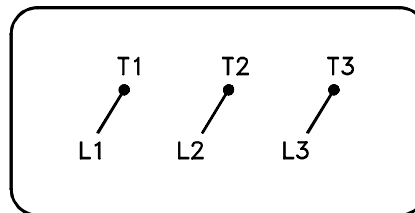
SHEET NUMBER
2 OF 2
E0072719

REV. DESC: CHANGING ENCLOSURE TO "TOTALLY ENCLOSED" WAS "UL..."			
REV: A	VERSION: 01	REVISED: 08-28-52 02/15/2013	TDR: 00000786306
MODEL NO. 617427-003			
BY: MGHWC			

BALDOR
G449T/447T STD - FOOTED - SIDE/CENTER CB

416820-036

A-C MOTOR
CONNECTION DIAGRAM
STANDARD 3 LEAD CONNECTED



(N.P. 1575-BA)

416820-036

REV. DESC: LOADED TO BUS, C/R 335225		
REV. LTR: -	VERSION: 00	TDR: 000000538207
FILE: \MGA\00000\682	REVISED: 11:54:06 04/30/2010	
MTL: -	BY: RAGRA	

BALDOR

CONN DIAG - STANDARD 3 LEAD

SH 1 of 1

Marketing maintained PDF of MN408:

<http://www.baldor.com/support/Literature/Load.ashx/MN408?ManNumber=MN408>

Marketing maintained PDF of MN416:

<http://www.baldor.com/support/Literature/Load.ashx/MN416?ManNumber=MN416>