

# **BALDOR**® • ***RELIANCE***

## **Product Information Packet**

# **ECP4416T-4**

**200HP,3570RPM,3PH,60HZ,447TS,A44104M,TEF**

Part Detail							
Revision:	H	Status:	PRD/A	Change #:		Proprietary:	No
Type:	AC	Prod. Type:	A44104M	Elec. Spec:	A44WG1504	CD Diagram:	416820-036
Enclosure:	TEFC	Mfg Plant:		Mech. Spec:		Layout:	617427-005
Frame:	447TS	Mounting:	F1	Poles:	02	Created Date:	08-16-2012
Base:		Rotation:	R	Insulation:	F	Eff. Date:	09-17-2015
Leads:	3#1 (02 per group)					Replaced By:	
Literature:		Elec. Diagram:					

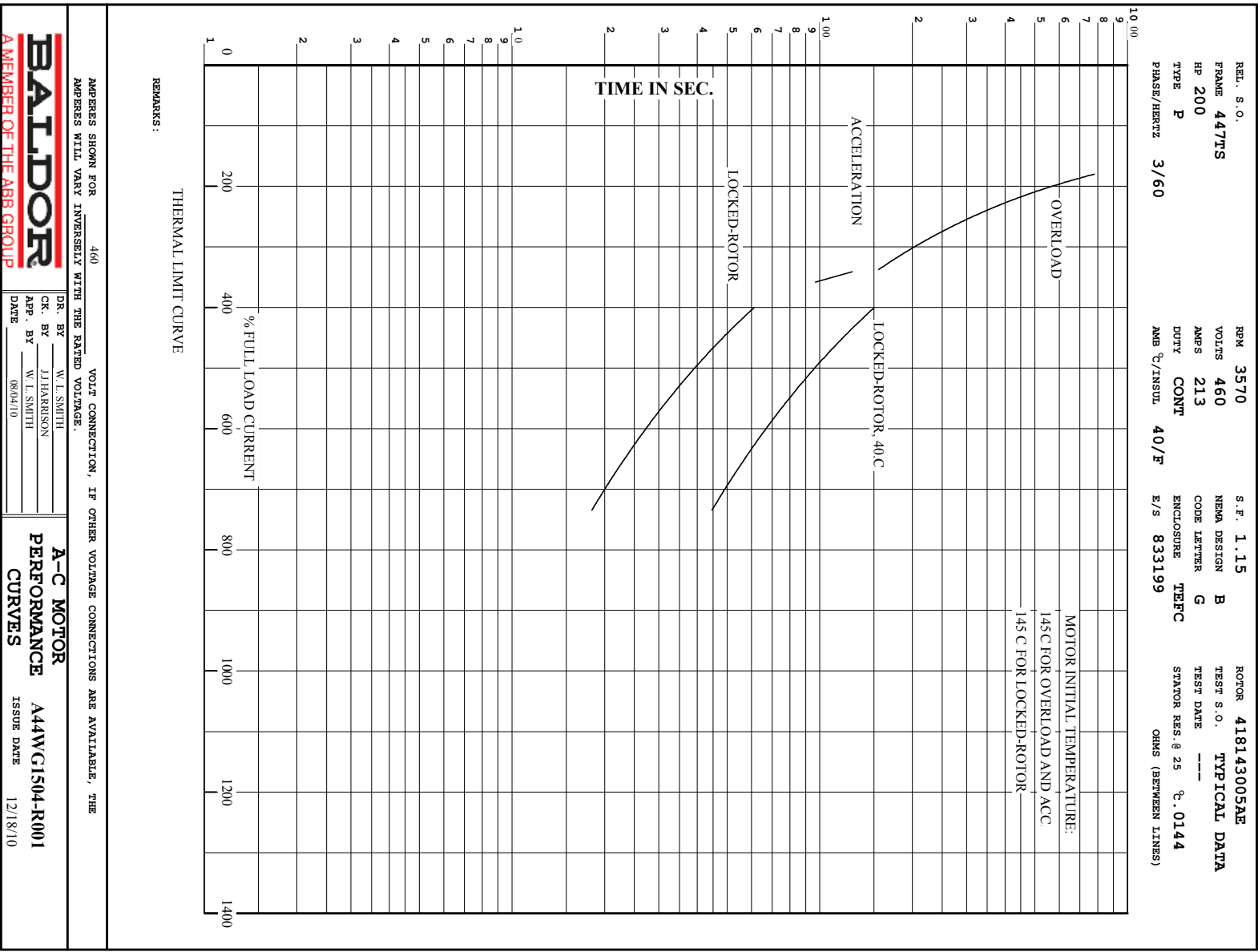
Nameplate NP3238									
CAT NO	ECP4416T-4	SPEC NO.	P44G3947						
HP	200	AMPS	213	VOLTS	460	DESIGN	B		
FRAME	447TS	RPM	3570	HZ	60	AMB	40	SF	1.15
D.E. BRG.DATA	6313	O.D.E. BRG.DATA	6313	PH	3	DUTY	CONT	INSUL.CLASS	F
D.E. BRG.	65BC03J30X	TYPE	P	ENCL	TEFC	CODE	G		
O.D.E. BRG.	65BC03J30X	POWER FACTOR	91	NEMA NOM EFFICIENCY	96.2				
3/4 LOAD EFF.	96.3	MAX CORR KVAR	21.0	GUARANTEED EFFICIENCY	95.8				
TEMP CODE	T3	TEMP =	200						
CHP HZ	60-90	CT HZ	30-60	VT HZ	0-60				
INVERTER-TEMP-CODE	T3								
SER.NO.		MOTOR WEIGHT	2330						

Parts List		
Part Number	Description	Quantity
SA249717	SA P44G3947	1.000 EA
RA236577	RA P44G3947	1.000 EA
NP3238	SS CP XEX SEVERE DUTY MAIN NP	1.000 EA
000692000FF	N/P	1.000 EA
000692000VD	LABEL WARNING	1.000 EA
004824015A	GREASE POLYREX EM	0.544 LB
032018008CK	HHCS 3/8-16X1L PLATED	4.000 EA
032018012BK	HHCS 5/16-16X1-1/2PLATED	4.000 EA
032018020FK	HHCS 3/4-10X2-1/2 PLTD.	4.000 EA
032018028CK	HHCS 3/8-16X3-1/2 PLTD.	3.000 EA
034180014DA	KEY 1/4X1/4X1-3/4 L	1.000 EA
034530072AB	P/NIP 1/8X9"L Threaded both ends	1.000 EA
034530072BB	PIPE NIPPLE,DE - 440-BS	1.000 EA
034631002AB	BUSH 1/4 TO 1/8 PLTD.	1.000 EA
034690005AB	PPLG 3/4 PLATED	2.000 EA
083199082RA	G28 SHORT FAN COVER W/BAFFLE ASSEMBLY	1.000 EA
089490097A	BRKT 089490102WCA	1.000 EA
410700004F	WSHR	1.000 EA
412118006A	DRAIN	1.000 EA
415072001B	CLAMP	1.000 EA
415096002A	CPLG 1/8 HEX TYPE	1.000 EA
702675001D	FAN 250-440	1.000 EA
032018004BK	HHCS 5/16-18X1/2 PLATED	3.000 EA
032018020FK	HHCS 3/4-10X2-1/2 PLTD.	4.000 EA

Parts List (continued)		
Part Number	Description	Quantity
032018022CK	HHCS 3/8-16X2-3/4 PLTD	3.000 EA
034000013AB	WSHR 5/16" PLATED-440	3.000 EA
034530056AB	1/8 X 7 PP NIPPLE	1.000 EA
034530056BB	P/NIP 1/4X7 SCHED 40	1.000 EA
034631002AB	BUSH 1/4 TO 1/8 PLTD.	1.000 EA
089490097A	BRKT 089490102WCA	1.000 EA
412118006A	DRAIN	1.000 EA
415045002E	SLGR	1.000 EA
415915007K	GASK, 26" LAC	1.000 EA
415096002A	CPLG 1/8 HEX TYPE	1.000 EA
702623012A	THERMAL BARRIER, G28	1.000 EA
032018008BK	HHCS 5/16-18X1L PLATED	4.000 EA
032018008DK	HHCS 1/2-13X1 PLATED	4.000 EA
033512004LB	HHTTS 1/4-20X1/2 PLTD.	1.000 EA
035000001A	ALFTG 1/8" 1610-BL	1.000 EA
035000001A	ALFTG 1/8" 1610-BL	1.000 EA
067053014A	GASK 440	1.000 EA
076870000B	+CBCST BLKT - 440	1.000 EA
076871000A	+CBOX CVR BLKT - 449	1.000 EA
406056007A	GASKET, 440	1.000 EA
406099000A	PLUG - FAN COVER 320-440	1.000 EA
415000103D	T/LUG #4AWG-1/0AWG W/HOLE FOR .250 BOLT	1.000 EA
418150003A	GREASE FITTING CAP	1.000 EA
418150003A	GREASE FITTING CAP	1.000 EA

Product Information Packet: ECP4416T-4 - 200HP,3570RPM,3PH,60HZ,447TS,A44104M,TEF

033775004EA	DRSCR #6-1/4 304 S.S.	2.000 EA
034180024HA	KEY 5/8X5/8X3 L	1.000 EA
004824003AJD	WILKO 778.50 BLUE GREEN - 55 GAL DRUMS	0.375 GA
004824003CBY	WILKO PAINT 060.02 - ACTIVATOR	0.094 GA
L482401016	SPRAY AC-29-7S	0.019 GA
421948051	LABEL, MYLAR	1.000 EA
PK5006A01	WOOD BASE 447 60 X 41-1/2 BLT 20 X 18	1.000 EA
000613006PU	N/P UL CSA LABLE	1.000 EA
LB1449	DIV-2/NEC WARNING LABEL	1.000 EA
035000001G	GREASE RELIEF FITTING, ALEMITE 317400	1.000 EA
035000001G	GREASE RELIEF FITTING, ALEMITE 317400	1.000 EA



AMPS SHOWN FOR 460 VOLT CONNECTION, IF OTHER VOLTAGE CONNECTIONS ARE AVAILABLE, THE AMPS WILL VARY INVERSELY WITH THE RATED VOLTAGE.

**BALDOR**  
A MEMBER OF THE ABB GROUP

DR. BY W.L. SMITH  
CK. BY J. HARRISON  
APP. BY W.L. SMITH  
DATE 08/04/10

**A-C MOTOR**  
**PERFORMANCE** A44W/G1504-R001  
**CURVES** ISSUE DATE 12/8/10

REL. S. O.	FRAME	HP	TYPE	PHASE/ HERTZ	RPM	VOLTS
	447TS	200	P	3/60	3570	460
AMPS	DUTY	AMB °C/ INSUL.	S. F.	NEMA DESIGN	CODE LETTER	ENCL.
213	CONT	40/F	1.15	B	G	TEFC
E/S	ROTOR	TEST S. O.	TEST DATE	STATOR RES. @25 °C (OHMS BETWEEN LINES)		
833199	418143005AE	---	---	.0144		

PERFORMANCE

LOAD	HP	AMPERES	RPM	POWER FACTOR %	EFFICIENCY %
NO LOAD	0	46.4	3600	5.92	0
1/4	50.0	78.9	3593	63.2	93.9
2/4	100	119	3586	82.0	96.0
3/4	150	166	3578	87.8	96.3
4/4	200	216	3571	89.8	96.2
5/4	250	270	3562	90.4	95.9

SPEED TORQUE

	RPM	TORQUE % FULL LOAD	TORQUE LB.-FT.	AMPERES
LOCKED ROTOR	0	151	444	1446
PULL UP	288	124	363	1331
BREAKDOWN	3462	281	825	730
FULL LOAD	3571	100	294	216

AMPERES SHOWN FOR 460. VOLT CONNECTION. IF OTHER VOLTAGE CONNECTIONS ARE AVAILABLE, THE AMPERES WILL VARY INVERSELY WITH THE RATED VOLTAGE

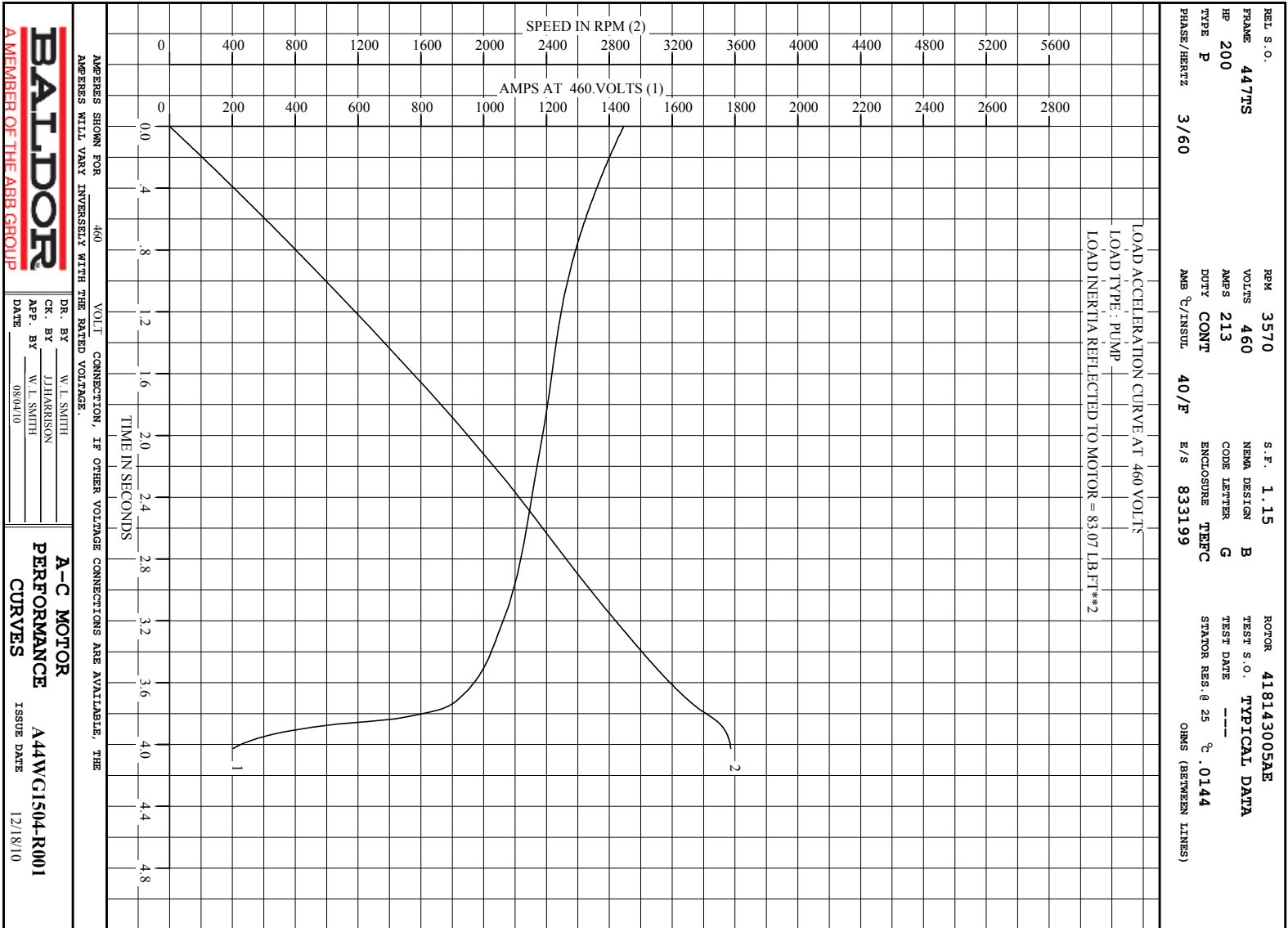
REMARKS: TYPICAL DATA



DR. BY W. L. SMITH  
 CK. BY J. J. HARRISON  
 APP. BY W. L. SMITH  
 DATE 08/04/10

A-C MOTOR PERFORMANCE DATA  
 A44WG1504-R001  
 ISSUE DATE 12/18/10





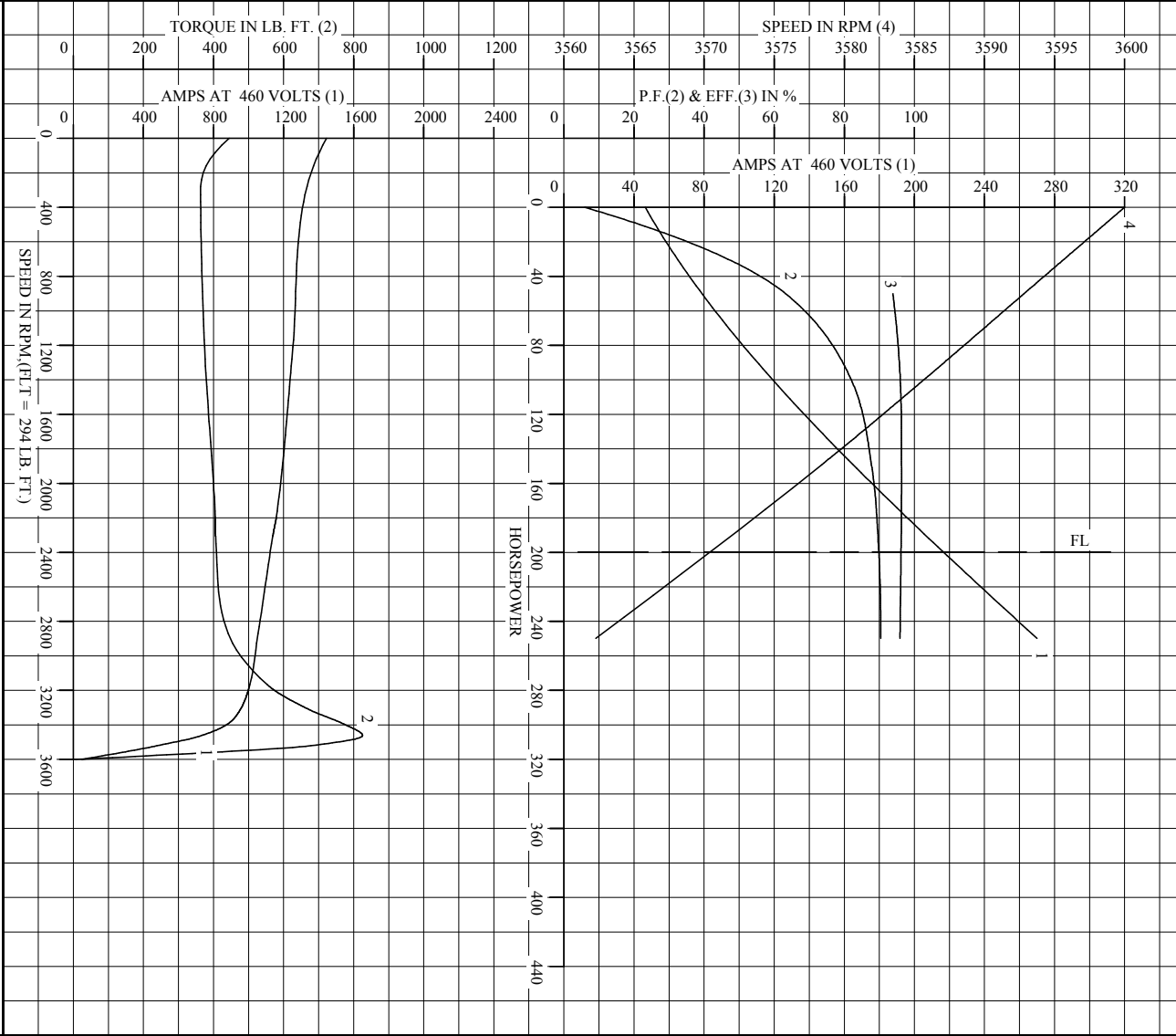
**BALDOR**  
 A MEMBER OF THE ABB GROUP

DR. BY W. L. SMITH  
 CK. BY J. HARRISON  
 APP. BY W. L. SMITH  
 DATE 08/04/10

**A-C MOTOR**  
**PERFORMANCE**  
**CURVES**  
 A44WC1504-R001  
 ISSUE DATE 12/18/10

Printed on 11/11/14 7:58 @ zagsun

REL S.O.		RPM	3570	S.F.	1.15	ROTOR	418143005AE
FRAME	447TS	VOLTS	460	NEEA DESIGN	B	TEST S.O.	TYPICAL DATA
HP	200	AMPS	213	CODE LETTER	G	TEST DATE	---
TYPE	P	DUTY	CONT	ENCLOSURE	TEFC	STATOR RES. @ 25 °C	.0144
PHASE/HERTZ	3/60	AMB °/INSUL	40/F	E/S	833199	OMEG (BETWEEN LINES)	



AMPS SHOWN FOR 460 VOLT CONNECTION, IF OTHER VOLTAGE CONNECTIONS ARE AVAILABLE, THE AMPS WILL VARY INVERSELY WITH THE RATED VOLTAGE.

**BALDOR**  
A MEMBER OF THE ABB GROUP

DR. BY	W. L. SMITH	<b>A-C MOTOR</b>
CHK. BY	J. HARRISON	<b>PERFORMANCE</b>
APP. BY	W. L. SMITH	<b>A44WC1504-R001</b>
DATE	08/04/10	<b>CURVES</b>
		ISSUE DATE
		12/18/10

Printed on 11/11/14 7:58 @ rsgsun

617427-005

## DUTY MASTER ALTERNATING CURRENT MOTORS

SQUIRREL-CAGE INDUCTION

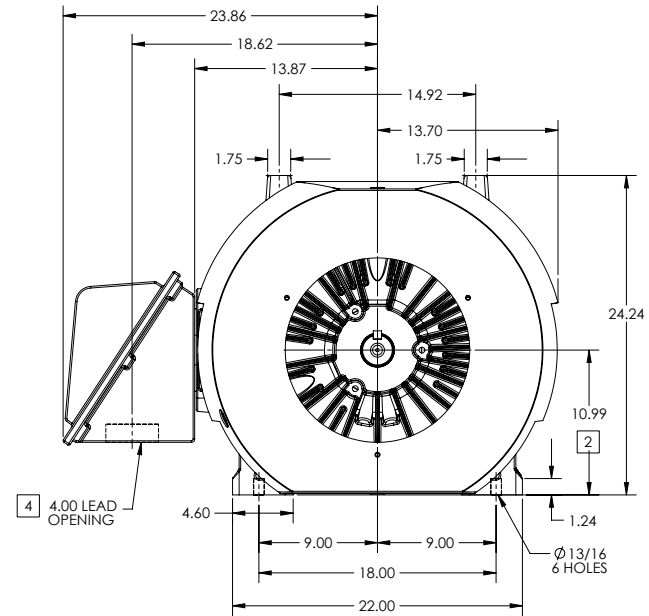
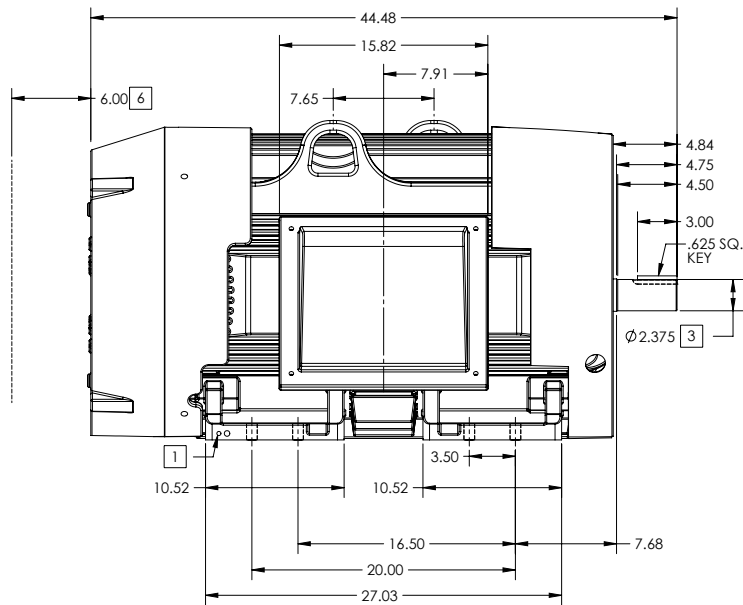
ENCLOSURE: TOTALLY ENCLOSED

FRAME G447TS ABOVE NEMA RATINGS

COOLING: FAN COOLED

MOUNTING: FOOT

INCLUDES 445TS FRAME MOUNTING HOLES



1. GROUND HOLES QTY 1 1/2-13 TAP; QTY 1 3/8-16 TAP
2. VARIES +.00,-.06
3. VARIES +.00,-.001
4. ON STANDARD MOTORS THIS IS CONDUIT SIZE. ON XT AND CORROSION PROOF MOTOR THIS IS PIPE TAP.
5. MOTOR WEIGHTS MAY VARY BY 15% DEPENDING ON RATING.
6. OBSTRUCTION MUST NO ENCROACH ON AIR INLET

[5] WEIGHT (LBS): 2480

DRIVE END AIR DEFLECTOR IS ONLY INCLUDED WHEN NECESSARY.

DIMENSIONS ARE IN INCHES; SEE SHEET 2 FOR DIMENSIONS IN MILLIMETERS

CUSTOMER IS RESPONSIBLE FOR DETERMINING THAT MOTOR PERFORMANCE IS SUITABLE IN THE APPLICATION.

CONDUIT BOX LOCATED ON OPPOSITE SIDE WHEN F-2.  
IF MOUNTING CLEARANCE DETAILS ARE REQUIRED, CONSULT FACTORY.  
MAXIMUM PERMISSIBLE SHAFT RUNOUT WHEN MEASURED AT END OF  
STANDARD SHAFT EXTENSION IS .003" T.I.R. TO 5 INCH DIA.

SHEET NUMBER  
1 OF 2

5007-27-119

REV. A	VERSION: 01	REVISED: 08-31-13 02:15:2013	TDR: 00000786306
MODEL NO. 617427-005		REF:	
BY: MGHWC		Material:	

**BALDOR**

G447TS-445TS STD - FOOTED - SIDE-CENTER CB

617427-005

617427-005

### DUTY MASTER ALTERNATING CURRENT MOTORS

#### SQUIRREL-CAGE INDUCTION

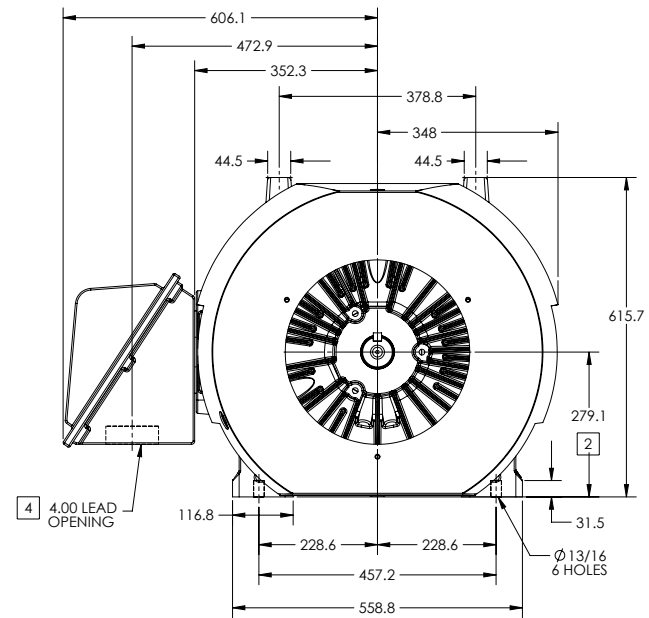
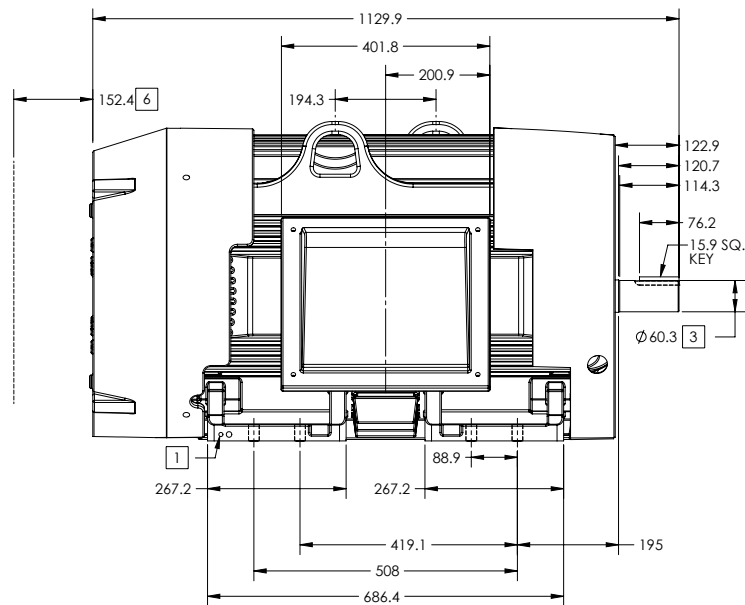
ENCLOSURE: TOTALLY ENCLOSED

FRAME G447TS ABOVE NEMA RATINGS

COOLING: FAN COOLED

MOUNTING: FOOT

INCLUDES 445TS FRAME MOUNTING HOLES



1. GROUND HOLES QTY 1 1/2-13 TAP; QTY 1 3/8-16 TAP
2. VARIES +.00,-.06
3. VARIES +.00,-.001
4. ON STANDARD MOTORS THIS IS CONDUIT SIZE. ON XT AND CORROSION PROOF MOTOR THIS IS PIPE TAP.
5. MOTOR WEIGHTS MAY VARY BY 15% DEPENDING ON RATING.
6. OBSTRUCTION MUST NO ENCROACH ON AIR INLET

**[5] WEIGHT (KGS): 1125**

DRIVE END AIR DEFLECTOR IS ONLY INCLUDED WHEN NECESSARY.

CONDUIT BOX LOCATED ON OPPOSITE SIDE WHEN F-2. IF MOUNTING CLEARANCE DETAILS ARE REQUIRED, CONSULT FACTORY. MAXIMUM PERMISSIBLE SHAFT RUNOUT WHEN MEASURED AT END OF STANDARD SHAFT EXTENSION IS .08 MM T.I.R. TO 127 MM DIA.

DIMENSIONS ARE IN MILLIMETERS; SEE SHEET 1 FOR DIMENSIONS IN INCHES

CUSTOMER IS RESPONSIBLE FOR DETERMINING THAT MOTOR PERFORMANCE IS SUITABLE IN THE APPLICATION.

SHEET NUMBER  
**2 OF 2**

5007-1749

REV. DESC: CHANGING ENCLOSURE TO "TOTALLY ENCLOSED" WAS "UL..."			
REV: A	VERSION: 01	REVISED: 08-31-13 02:15:2013	TDR: 000000786306
MODEL NO. 617427-005		REF:	
BY: MGHWCG		Material:	

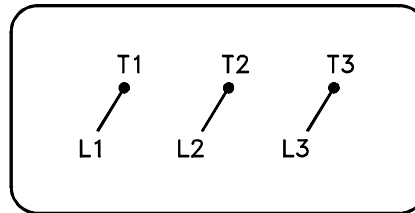
**BALDOR**

G447TS-445TS STD - FOOTED - SIDE-CENTER CB

617427-005

416820-036

A-C MOTOR  
 CONNECTION DIAGRAM  
 STANDARD 3 LEAD CONNECTED



(N.P. 1575-BA)

416820-036

REV. DESC: LOADED TO BUS, C/R 335225		
REV. LTR: -	VERSION: 00	TDR: 000000538207
FILE: \MGA\00000\682	REVISED: 11:54:06 04/30/2010	
MTL: -	BY: RAGRA	

**BALDOR**

CONN DIAG - STANDARD 3 LEAD

SH 1 of 1

Marketing maintained PDF of MN408:

<http://www.baldor.com/support/Literature/Load.ashx/MN408?ManNumber=MN408>

Marketing maintained PDF of MN416:

<http://www.baldor.com/support/Literature/Load.ashx/MN416?ManNumber=MN416>