

# **BALDOR**® • *RELIANCE*

## **Product Information Packet**

# **ECP4406T-5**

**150HP, 1785RPM, 3PH, 60HZ, 445T, A4488M, TEFC**

Part Detail							
Revision:	G	Status:	PRD/A	Change #:		Proprietary:	No
Type:	AC	Prod. Type:	A4488M	Elec. Spec:	A44WG3784	CD Diagram:	416820-036
Enclosure:	TEFC	Mfg Plant:		Mech. Spec:		Layout:	617427-001
Frame:	445T	Mounting:	F1	Poles:	04	Created Date:	08-15-2012
Base:		Rotation:	R	Insulation:	F	Eff. Date:	08-05-2015
Leads:	3#1					Replaced By:	
Literature:		Elec. Diagram:					

Nameplate NP3238									
CAT NO	ECP4406T-5	SPEC NO.	P44G3931						
HP	150	AMPS	135	VOLTS	575	DESIGN	B		
FRAME	445T	RPM	1785	HZ	60	AMB	40	SF	1.15
D.E. BRG.DATA	6318	O.D.E. BRG.DATA	6318	PH	3	DUTY	CONT	INSUL.CLASS	F
D.E. BRG.	90BC03J30X	TYPE	P	ENCL	TEFC	CODE	F		
O.D.E. BRG.	90BC03J30X	POWER FACTOR	86	NEMA NOM EFFICIENCY	95.8				
3/4 LOAD EFF.	96.1	MAX CORR KVAR	30.0	GUARANTEED EFFICIENCY	95.0				
TEMP CODE	T3	TEMP =	200						
CHP HZ	60-90	CT HZ	15-60	VT HZ	0-60				
INVERTER-TEMP-CODE	T3								
SER.NO.		MOTOR WEIGHT	2175						

Parts List		
Part Number	Description	Quantity
SA249706	SA P44G3931	1.000 EA
RA236566	RA P44G3931	1.000 EA
421948051	LABEL, MYLAR	1.000 EA
000613006PU	N/P UL CSA LABLE	1.000 EA
000692000VD	LABEL WARNING	1.000 EA
NP3238	SS CP XEX SEVERE DUTY MAIN NP	1.000 EA
089490099A	G28 BRKT 089490098WCA KB	1.000 EA
415072001B	CLAMP	1.000 EA
083199082RA	G28 SHORT FAN COVER W/BAFFLE ASSEMBLY	1.000 EA
034180014DA	KEY 1/4X1/4X1-3/4 L	1.000 EA
078548001R	FAN KB 234/150 (84) 400	1.000 EA
004824015A	GREASE POLYREX EM	1.160 LB
032018020FK	HHCS 3/4-10X2-1/2 PLTD.	4.000 EA
032018008CK	HHCS 3/8-16X1L PLATED	4.000 EA
032018030DK	HHCS 1/2-13X3-3/4 PLTD.	3.000 EA
415096002A	CPLG 1/8 HEX TYPE	1.000 EA
410700004A	WSHR	1.000 EA
034017014AB	LCKW 3/8 STD. PLATED	4.000 EA
034530072AB	P/NIP 1/8X9"L Threaded both ends	1.000 EA
089490099A	G28 BRKT 089490098WCA KB	1.000 EA
032018020FK	HHCS 3/4-10X2-1/2 PLTD.	4.000 EA
032018030DK	HHCS 1/2-13X3-3/4 PLTD.	3.000 EA
076863000C	+CBCST BLKT - 440	1.000 EA
076864000A	CB CVRCST BLKT - 440	1.000 EA

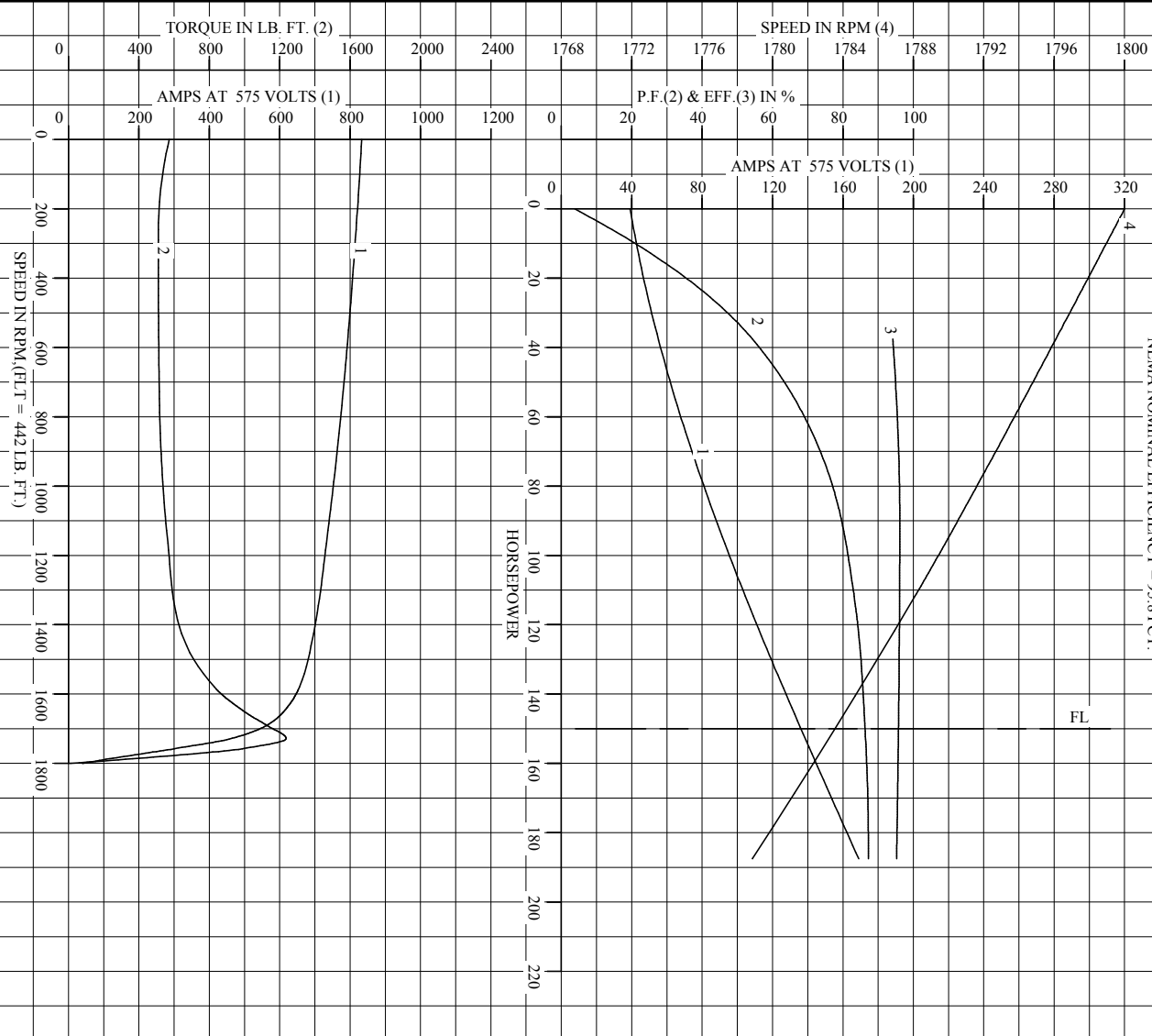
<b>Parts List (continued)</b>		
<b>Part Number</b>	<b>Description</b>	<b>Quantity</b>
415915007G	GASK, LAC	1.000 FT
067053001C	GASK 440	1.000 EA
032018008DK	HHCS 1/2-13X1 PLATED	4.000 EA
415000103D	T/LUG #4AWG-1/0AWG W/HOLE FOR .250 BOLT	1.000 EA
406099000A	PLUG - FAN COVER 320-440	1.000 EA
033512006LB	HHTTS 1/4-20X3/4 PLTD.	1.000 EA
004824003AJD	WILKO 778.50 BLUE GREEN - 55 GAL DRUMS	0.250 GA
033775004EA	DRSCR #6-1/4 304 S.S.	2.000 EA
034180054KA	KEY 7/8X7/8X6-3/4 L	1.000 EA
034690005AB	PPLG 3/4 PLATED	2.000 EA
418151014G	RETAIN RING	1.000 EA
032018004BK	HHCS 5/16-18X1/2 PLATED	3.000 EA
415096002A	CPLG 1/8 HEX TYPE	1.000 EA
032018006BK	HHCS 5/16-18X3/4 PLATED	3.000 EA
702623013A	THERMAL BARRIER -- G28 -- BRACKET MTD	1.000 EA
034017013AB	LCKW 5/16 STD. PLATED	3.000 EA
034690002AB	"unbulked" PPLG 1/4" PLTD.	1.000 EA
034530044AB	P/NIP 1/8X5-1/2L GALV.	1.000 EA
032620016LA	SOCKET SET SCREW-449	3.000 EA
000692000FF	N/P	1.000 EA
034630002AB	CPLG 1/4" PLATED	1.000 EA
034530072BB	PIPE NIPPLE,DE - 440-BS	1.000 EA
415045002A	SLGR	1.000 EA
412118006A	DRAIN	1.000 EA

Product Information Packet: ECP4406T-5 - 150HP,1785RPM,3PH,60HZ,445T,A4488M,TEFC

412118006A	DRAIN	1.000 EA
034530044BB	P/NIP 1/4X5-1/2L PLT	1.000 EA
034690002AB	"unbulked" PPLG 1/4" PLTD.	1.000 EA
406056007A	GASKET, 440	1.000 EA
032018008BK	HHCS 5/16-18X1L PLATED	4.000 EA
418150003A	GREASE FITTING CAP	1.000 EA
035000001A	ALFTG 1/8" 1610-BL	1.000 EA
418150003A	GREASE FITTING CAP	1.000 EA
035000001A	ALFTG 1/8" 1610-BL	1.000 EA
415045002A	SLGR	1.000 EA
034690002AB	"unbulked" PPLG 1/4" PLTD.	1.000 EA
PK5004A09	BASE 48 X 39-1/4 STACK 2 X 4 RUUNER	1.000 EA
LB1449	DIV-2/NEC WARNING LABEL	1.000 EA

REL. S.O. \_\_\_\_\_ RPM 1785 S.F. 1.15 ROTOR 0  
 FRAME 445T VOLTS 575 NEMA DESIGN B TEST S.O. CALCULATED DATA  
 HP 150 AMPS 135 CODE LETTER F TEST DATE ---  
 TYPE P DUTY CONT ENCLOSURE TEFC STATOR RES. @ 25 °C .0465  
 PHASE/HERTZ 3/60 AMB °C/INSUL 40/F E/S 498866 OHMS (BETWEEN LINES)

NEMA NOMINAL EFFICIENCY = 93.8 PCT.



AMPERES SHOWN FOR 575 VOLT CONNECTION, IF OTHER VOLTAGE CONNECTIONS ARE AVAILABLE, THE AMPERES WILL VARY INVERSELY WITH THE RATED VOLTAGE.

**BALDOR**  
 A MEMBER OF THE ABB GROUP  
 DR. BY C. JAMISON  
 CK. BY W. SMITH  
 App. BY W. SMITH  
 DATE 1/8/11  
**A-C MOTOR PERFORMANCE CURVES**  
 A44WG3784-R001  
 ISSUE DATE 9/6/2011

Printed on 4/19/13 14:02 @ ragsun

REL. S.O.	FRAME	HP	TYPE	PHASE/ HERTZ	RPM	VOLTS
	445T	150	P	3/60	1785	575
AMPS	DUTY	AMB °C/ INSUL.	S.F.	NEMA DESIGN	CODE LETTER	ENCL.
135	CONT	40/F	1.15	B	F	TEFC
E/S	ROTOR	TEST S.O.	TEST DATE	STATOR RES. @25 °C OHMS (BETWEEN LINES)		
498866	0	---	---	.0465		

PERFORMANCE


LOAD	HP	AMPERES	RPM	POWER FACTOR %	EFFICIENCY %
NO LOAD	0	39.2	1800	3.78	0
1/4	37.6	55.0	1796	54.3	94.2
2/4	75.0	77.6	1792	75.5	96.0
3/4	112	105	1788	83.3	96.1
4/4	150	136	1784	86.3	95.8
5/4	188	169	1779	87.3	95.2

SPEED TORQUE

	RPM	TORQUE % FULL LOAD	TORQUE LB.-FT.	AMPERES
LOCKED ROTOR	0	130	572	833
PULL UP	270	116	511	816
BREAKDOWN	1729	280	1237	463
FULL LOAD	1784	100	442	136

AMPERES SHOWN FOR 575. VOLT CONNECTION. IF OTHER VOLTAGE CONNECTIONS ARE AVAILABLE, THE AMPERES WILL VARY INVERSELY WITH THE RATED VOLTAGE

REMARKS: CALCULATED DATA  
NEMA NOMINAL EFFICIENCY = 95.8 PCT.

 A MEMBER OF THE ABB GROUP	DR. BY C. JAMISON CK. BY W. SMITH APP. BY W. SMITH DATE 1/18/11	A-C MOTOR PERFORMANCE DATA A44WG3784-R001 ISSUE DATE 9/6/2011
--	--	--



617427-001

## DUTY MASTER ALTERNATING CURRENT MOTORS

SQUIRREL-CAGE INDUCTION

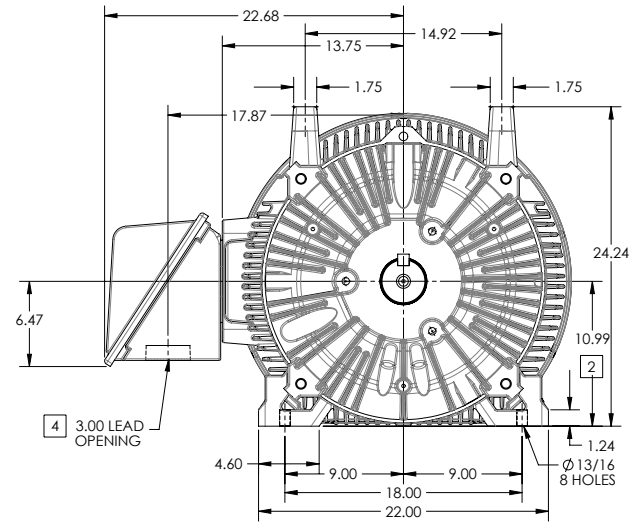
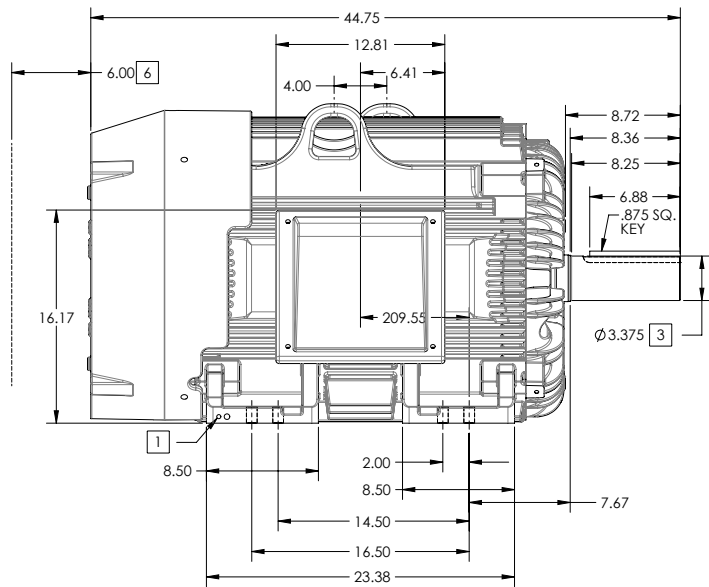
ENCLOSURE: TOTALLY ENCLOSED

FRAME G445T ABOVE NEMA RATINGS

COOLING: FAN COOLED

MOUNTING: FOOT

INCLUDES 444T FRAME MOUNTING HOLES



1. GROUND HOLES QTY 1 1/2-13 TAP; QTY 1 3/8-16 TAP
2. VARIES +.00,-.06
3. VARIES +.00,-.001
4. ON STANDARD MOTORS THIS IS CONDUIT SIZE. ON XT AND CORROSION PROOF MOTOR THIS IS PIPE TAP.
5. MOTOR WEIGHTS MAY VARY BY 15% DEPENDING ON RATING.
6. OBSTRUCTION MUST NOT ENCROACH ON AIR INLET

CONDUIT BOX LOCATED ON OPPOSITE SIDE WHEN F-2.  
IF MOUNTING CLEARANCE DETAILS ARE REQUIRED, CONSULT FACTORY.  
MAXIMUM PERMISSIBLE SHAFT RUNOUT WHEN MEASURED AT END OF STANDARD SHAFT EXTENSION IS .003" T.I.R. TO 5 INCH DIA.

**[5] WEIGHT (LBS): 2130**

DRIVE END AIR DEFLECTOR IS ONLY INCLUDED WHEN NECESSARY.

DIMENSIONS ARE IN INCHES; SEE SHEET 2 FOR DIMENSIONS IN MILLIMETERS

CUSTOMER IS RESPONSIBLE FOR DETERMINING THAT MOTOR PERFORMANCE IS SUITABLE IN THE APPLICATION.

SHEET NUMBER  
**1 OF 2**

100-272119

REV. DESC SHEET 2 NEEDS METRIC FOOT HOLE DIMENSION			
REV: E	VERSION: 05	REVISED: 09-22-56 06/12/2014	TDR: 00000857938
MODEL NO. 617427-001			REF:
BY: RAGRA	Material:		

**BALDOR**

G445T444T STD - FOOTED - SIDE/CENTER CB

617427-001

617427-001

## DUTY MASTER ALTERNATING CURRENT MOTORS

SQUIRREL-CAGE INDUCTION

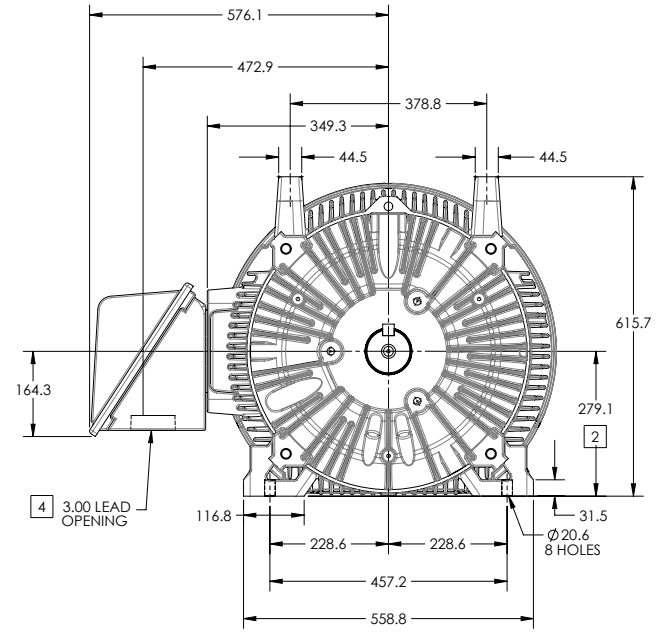
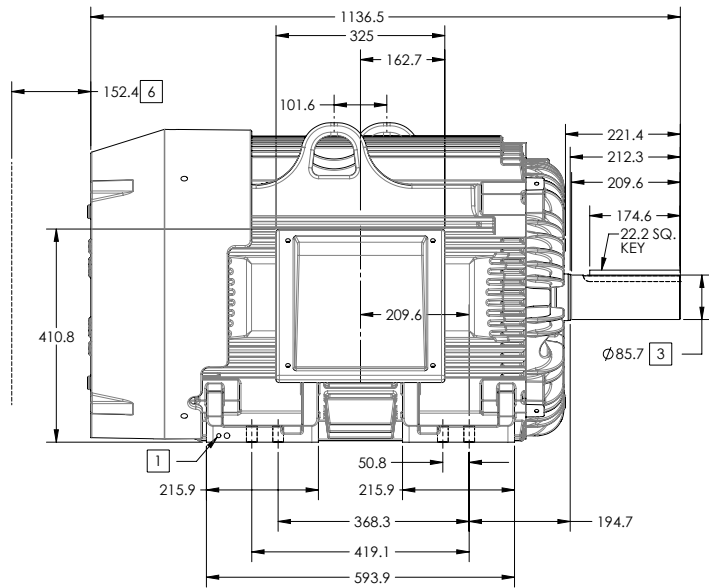
ENCLOSURE: TOTALLY ENCLOSED

FRAME G445T ABOVE NEMA RATINGS

COOLING: FAN COOLED

MOUNTING: FOOT

INCLUDES 444T FRAME MOUNTING HOLES



1. GROUND HOLES QTY 1 1/2-13 TAP; QTY 1 3/8-16 TAP
2. VARIES +0,-1.5
3. VARIES +.00,-.03
4. ON STANDARD MOTORS THIS IS CONDUIT SIZE. ON XT AND CORROSION PROOF MOTOR THIS IS PIPE TAP.
5. MOTOR WEIGHTS MAY VARY BY 15% DEPENDING ON RATING.
6. OBSTRUCTION MUST NOT ENCROACH ON AIR INLET

CONDUIT BOX LOCATED ON OPPOSITE SIDE WHEN F-2.  
IF MOUNTING CLEARANCE DETAILS ARE REQUIRED, CONSULT FACTORY.  
MAXIMUM PERMISSIBLE SHAFT RUNOUT WHEN MEASURED AT END OF STANDARD SHAFT EXTENSION IS .08 MM T.I.R. TO 127 MM DIA.

**[5] WEIGHT (KGS): 970**

DRIVE END AIR DEFLECTOR IS ONLY INCLUDED WHEN NECESSARY.

DIMENSIONS ARE IN MILLIMETERS; SEE SHEET 1 FOR DIMENSIONS IN INCHES

CUSTOMER IS RESPONSIBLE FOR DETERMINING THAT MOTOR PERFORMANCE IS SUITABLE IN THE APPLICATION.

SHEET NUMBER  
**2 OF 2**

100-L27219

REV. DESC SHEET 2 NEEDS METRIC FOOT HOLE DIMENSION			
REV: E	VERSION: 05	REVISED: 09-22-56 06/12/2014	TDR: 00000857938
MODEL NO. 617427-001		REF:	
BY: RAGRA	Material:		

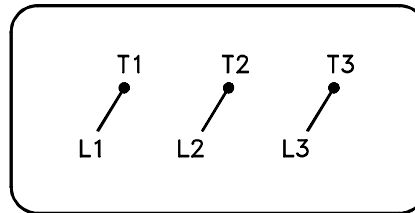
**BALDOR**

G445T444T STD - FOOTED - SIDE/CENTER CB

617427-001

416820-036

A-C MOTOR  
 CONNECTION DIAGRAM  
 STANDARD 3 LEAD CONNECTED



(N.P. 1575-BA)

416820-036

REV. DESC: LOADED TO BUS, C/R 335225		
REV. LTR: -	VERSION: 00	TDR: 000000538207
FILE: \MGA\00000\682	REVISED: 11:54:06 04/30/2010	
MTL: -	BY: RAGRA	

**BALDOR**

CONN DIAG - STANDARD 3 LEAD

SH 1 of 1