

BALDOR® • ***RELIANCE***

Product Information Packet

ECP4403T-4

60HP, 1185RPM, 3PH, 60HZ, 404T, A40064M, TEFC

Part Detail							
Revision:	H	Status:	PRD/A	Change #:		Proprietary:	No
Type:	AC	Prod. Type:	A40064M	Elec. Spec:	A40WG0115	CD Diagram:	416820-036
Enclosure:	TEFC	Mfg Plant:		Mech. Spec:		Layout:	617429-501
Frame:	404T	Mounting:	F1	Poles:	06	Created Date:	07-15-2013
Base:		Rotation:	R	Insulation:	F	Eff. Date:	08-12-2015
Leads:	3#4					Replaced By:	
Literature:		Elec. Diagram:					

Nameplate NP3238									
CAT NO	ECP4403T-4	SPEC NO.	P40G3908						
HP	60	AMPS	69	VOLTS	460	DESIGN	B		
FRAME	404T	RPM	1185	HZ	60	AMB	40	SF	1.15
D.E. BRG.DATA	6316	O.D.E. BRG.DATA	6316	PH	3	DUTY	CONT	INSUL.CLASS	F
D.E. BRG.	80BC03J30X	TYPE	P	ENCL	TEFC	CODE	G		
O.D.E. BRG.	80BC03J30X	POWER FACTOR	86	NEMA NOM EFFICIENCY	95				
3/4 LOAD EFF.	95.2	MAX CORR KVAR	12.5	GUARANTEED EFFICIENCY	94.1				
TEMP CODE	T3A	TEMP =	180						
CHP HZ	60-90	CT HZ	6-60	VT HZ	0-60				
INVERTER-TEMP-CODE	T3A								
SER.NO.		MOTOR WEIGHT	1322						

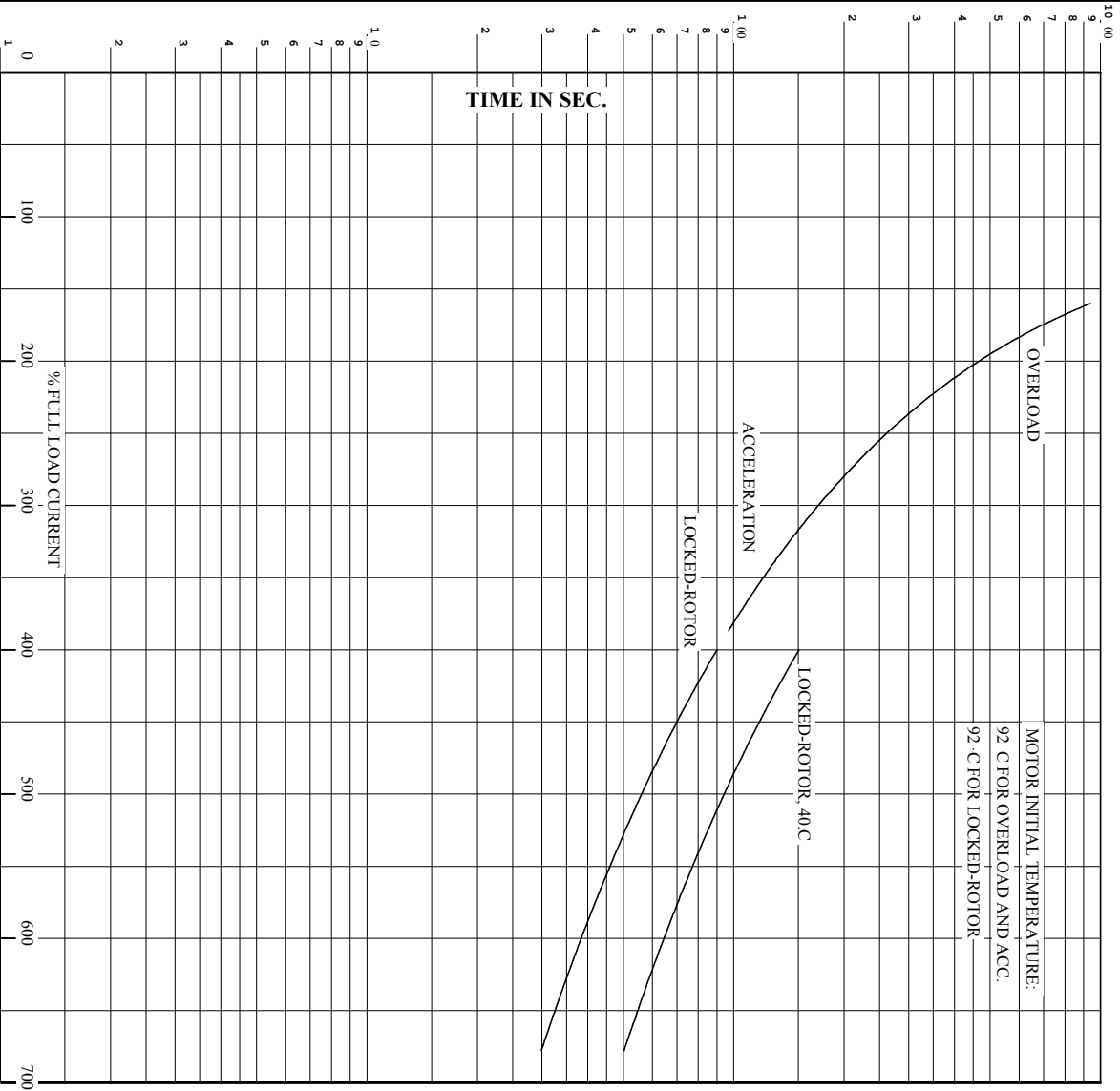
Parts List		
Part Number	Description	Quantity
SA267699	SA P40G3908	1.000 EA
RA254369	RA P40G3908	1.000 EA
NP3238	SS CP XEX SEVERE DUTY MAIN NP	1.000 EA
000692000VD	LABEL WARNING	1.000 EA
000692000FF	N/P	1.000 EA
000692000WA	LABEL "INVERTER READY"	1.000 EA
004824015A	GREASE POLYREX EM	0.884 LB
032018010CK	HHCS 3/8-16X1-1/4 PLTD.	4.000 EA
032018020EK	HHCS 5/8-11X2-1/2 PLTD.	4.000 EA
032018024CK	HHCS 3/8-16X3 PLTD.	3.000 EA
034000014AB	WSH ID.406 OD.812 TH.065	4.000 EA
034180008DA	KEY 1/4X1/4X1 L (shipping)	1.000 EA
034530052AB	P/NIP 1/8X6-1/2 GALV.	1.000 EA
034530056BB	P/NIP 1/4X7 SCHED 40	1.000 EA
034631002AB	BUSH 1/4 TO 1/8 PLTD.	1.000 EA
078550001H	FAN KB 120/60 (60) 360	1.000 EA
083198101A	G400 STD FAN COVER MACHINING	1.000 EA
034692005AA	P PLUG 3/4"BLK.	1.000 EA
089412501A	G400 FIN MACH 6316 FTMT BRKT 89412500WCA	1.000 EA
410700000DA	WAVY SPRING WASHER	1.000 EA
415045002B	SLGR	1.000 EA
415072001B	CLAMP	1.000 EA
415096002A	CPLG 1/8 HEX TYPE	1.000 EA
412118006A	DRAIN	1.000 EA

Parts List (continued)		
Part Number	Description	Quantity
032018020EK	HHCS 5/8-11X2-1/2 PLTD.	4.000 EA
032018024CK	HHCS 3/8-16X3 PLTD.	3.000 EA
034530040AB	P/NIP 1/8X5 GALV.	1.000 EA
034530040BB	P/NIP 1/4X5	1.000 EA
034631002AB	BUSH 1/4 TO 1/8 PLTD.	1.000 EA
089412501A	G400 FIN MACH 6316 FTMT BRKT 89412500WCA	1.000 EA
415045002B	SLGR	1.000 EA
415096002A	CPLG 1/8 HEX TYPE	1.000 EA
412118006A	DRAIN	1.000 EA
032018010CK	HHCS 3/8-16X1-1/4 PLTD.	4.000 EA
033512004LB	HHTTS 1/4-20X1/2 PLTD.	1.000 EA
033512008LB	HHTTS 1/4-20X1 PLATED	4.000 EA
034000014AB	WSH ID.406 OD.812 TH.065	4.000 EA
035000001A	ALFTG 1/8" 1610-BL	1.000 EA
035000001A	ALFTG 1/8" 1610-BL	1.000 EA
065776000C	TERBD 320-400	1.000 EA
067053000B	GASK 320-400	1.000 EA
076708000BB	C/B - 360	1.000 EA
076709000A	C/B - 360	1.000 EA
406099000A	PLUG - FAN COVER 320-440	1.000 EA
415000103D	T/LUG #4AWG-1/0AWG W/HOLE FOR .250 BOLT	1.000 EA
418150003A	GREASE FITTING CAP	1.000 EA
418150003A	GREASE FITTING CAP	1.000 EA
033775004EA	DRSCR #6-1/4 304 S.S.	4.000 EA

Product Information Packet: ECP4403T-4 - 60HP,1185RPM,3PH,60HZ,404T,A40064M,TEFC

034180044JA	KEY 3/4X3/4X5-1/2 L	1.000 EA
004824003AJD	WILKO 778.50 BLUE GREEN - 55 GAL DRUMS	0.375 GA
004824003CBY	WILKO PAINT 060.02 - ACTIVATOR	0.063 GA
421948051	LABEL, MYLAR	1.000 EA
PK5004A02	WOOD BASE 40X32 STACK 2X4 RUNNER	1.000 EA
000613006PU	N/P UL CSA LABLE	1.000 EA
LB1449	DIV-2/NEC WARNING LABEL	1.000 EA
035000001G	GREASE RELIEF FITTING, ALEMITE 317400	1.000 EA
035000001G	GREASE RELIEF FITTING, ALEMITE 317400	1.000 EA

RET. S.O. RPM 1185 S.F. 1.15 ROTOR 418142-71EE
 FRAME 404T VOLTS 460 NEMA DESIGN B TEST S.O. TYPICAL DATA
 HP 60 AMPS 69 CODE LETTER G TEST DATE ---
 TYPE P DUTY CONT ENCLOSURE TEFC STATOR RES. @ 25 C. 108
 PHASE/HERTZ 3/60 AMB C/INSUL 40/F E/S 595761 OHMS (BETWEEN LINES)



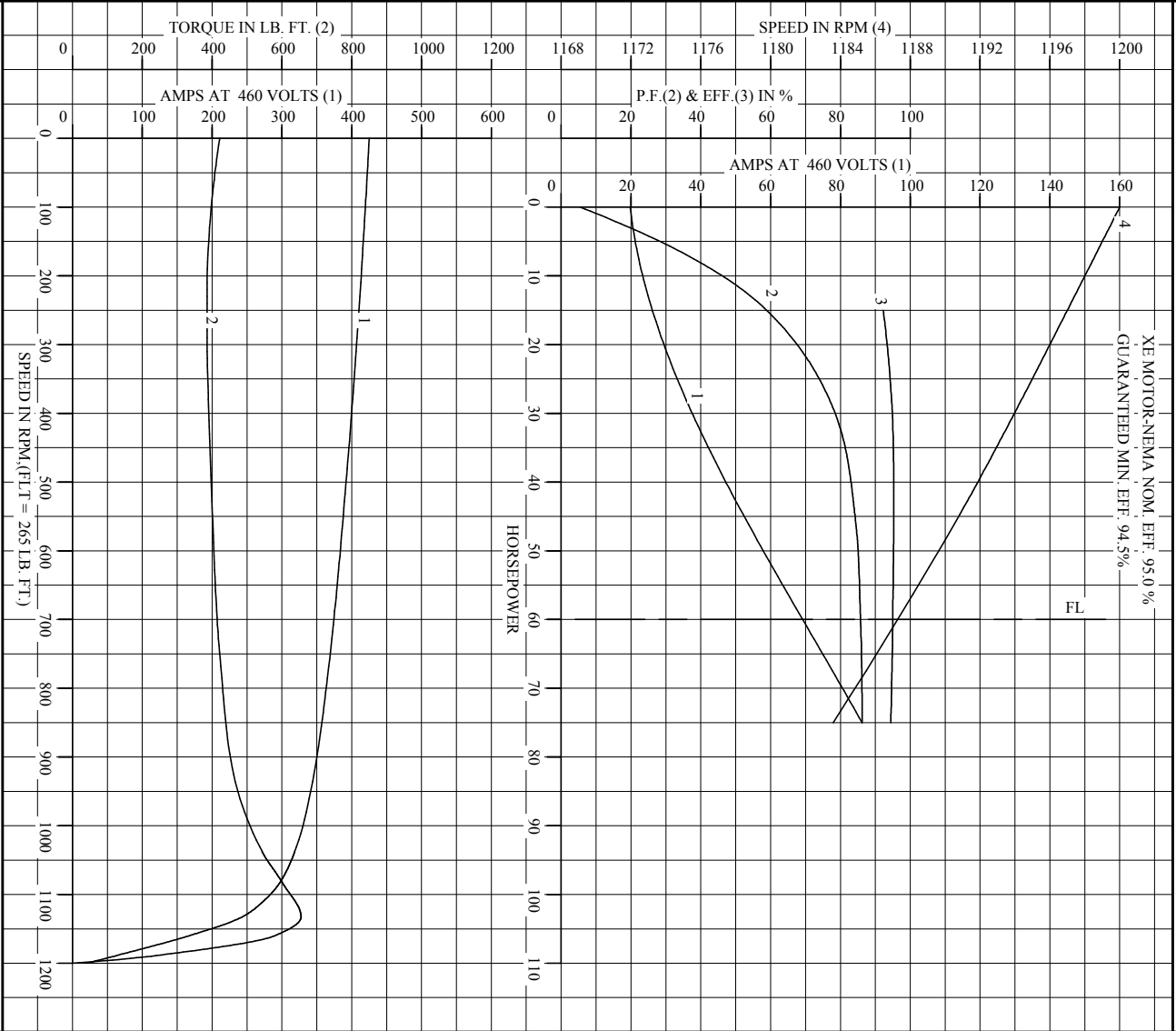
REMARKS: THERMAL LIMIT CURVE
 XE MOTOR-NEMA NOM. EFF. 95.0 %
 GUARANTEED MIN. EFF. 94.5%

AMPERES SHOWN FOR 460 VOLT CONNECTION, IF OTHER VOLTAGE CONNECTIONS ARE AVAILABLE, THE AMPERES WILL VARY INVERSELY WITH THE RATED VOLTAGE.

DR. BY	BR BENDLEY
CK. BY	D.MAYNARD
APP. BY	D.MAYNARD
DATE	02/06/92

A-C MOTOR PERFORMANCE CURVES
A40WG0115-R001
 ISSUE DATE 06/16/2011

REL. S.O. _____ RPM 1185 S.F. 1.15 ROTOR 418142-71EE
 FRAME 404T VOLTS 460 NEMA DESIGN B TEST S.O. TYPICAL DATA
 HP 60 AMPS 69 CODE LETTER G TEST DATE ---
 TYPE P DUTY CONT ENCLOSURE TEFC STATOR RES. @ 25 °C .108
 PHASE/HERTZ 3/60 AMB °C/INSUL 40/F E/S 595761 OHMS (BETWEEN LINES)



AMPERES SHOWN FOR 460 VOLT CONNECTION, IF OTHER VOLTAGE CONNECTIONS ARE AVAILABLE, THE AMPERES WILL VARY INVERSELY WITH THE RATED VOLTAGE.

BALDOR
 A MEMBER OF THE ABB GROUP

DR. BY B.F. PENDELLEY
 CK. BY D.M. HYARD
 App. BY D.M. HYARD
 DATE 02/06/92

A-C MOTOR PERFORMANCE CURVES
 A40W/G0115-R001
 ISSUE DATE 06/16/2011

Printed on 6/16/11 8:52 @ ragsun

REL. S.O.	FRAME	HP	TYPE	PHASE/HERTZ	RPM	VOLTS
	404T	60	P	3/60	1185	460
AMPS	DUTY	AMB °C/ INSUL.	S.F.	NEMA DESIGN	CODE LETTER	ENCL.
69	CONT	40/F	1.15	B	G	TEFC
E/S	ROTOR	TEST S.O.	TEST DATE	STATOR RES. @25 °C (BETWEEN LINES)		
595761	418142-71EE	---	---	.108		

PERFORMANCE


LOAD	HP	AMPERES	RPM	POWER FACTOR %	EFFICIENCY %
NO LOAD	0	19.9	1200	5.36	0
1/4	15.0	25.9	1197	58.9	92.3
2/4	30.0	37.7	1194	78.5	94.9
3/4	45.0	52.5	1191	84.2	95.2
4/4	60.0	69.0	1187	85.8	95.0
5/4	75.0	86.3	1184	86.2	94.4

SPEED TORQUE

	RPM	TORQUE % FULL LOAD	TORQUE LB.-FT.	AMPERES
LOCKED ROTOR	0	159	422	425
PULL UP	240	145	385	411
BREAKDOWN	1133	247	655	243
FULL LOAD	1187	100	265	69.0

AMPERES SHOWN FOR 460. VOLT CONNECTION. IF OTHER VOLTAGE CONNECTIONS ARE AVAILABLE, THE AMPERES WILL VARY INVERSELY WITH THE RATED VOLTAGE

REMARKS: TYPICAL DATA
 XE MOTOR-NEMA NOM. EFF. 95.0 %
 GUARANTEED MIN. EFF. 94.5 %

 <p>A MEMBER OF THE ABB GROUP</p>	DR. BY	B. R. PENDLEY	<p>A-C MOTOR PERFORMANCE DATA A40WG0115-R001 ISSUE DATE 06/16/20</p>
	CK. BY	D. M. BYRD	
	APP. BY	D. M. BYRD	
	DATE	02/06/92	

617429-501

DUTY MASTER ALTERNATING CURRENT MOTORS

SQUIRREL-CAGE INDUCTION

ENCLOSURE: TOTALLY ENCLOSED

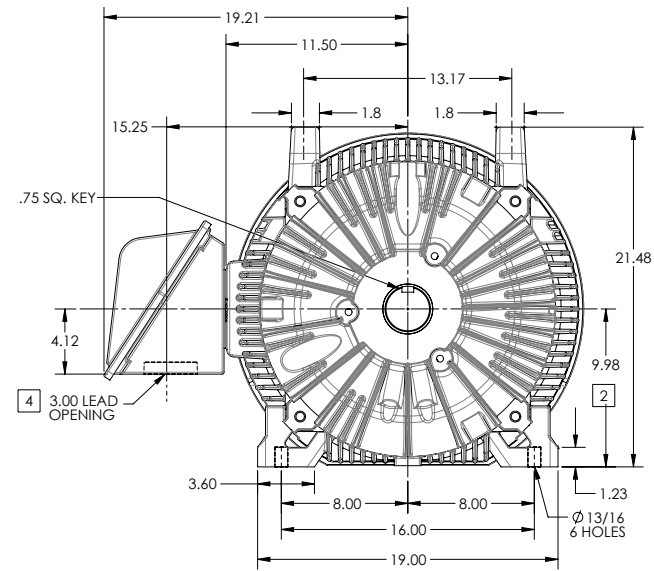
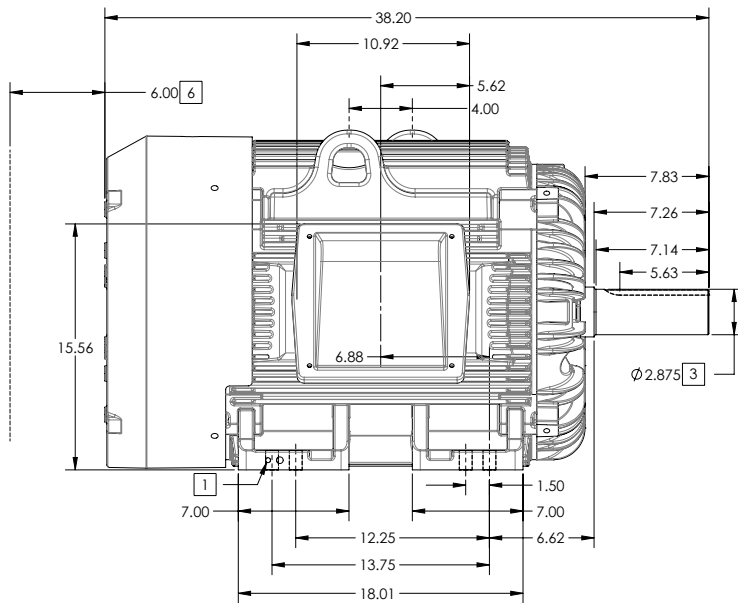
FRAME G405T ABOVE NEMA RATINGS

COOLING: FAN COOLED

MOUNTING: FOOT

INCLUDES 404T FRAME MOUNTING HOLES

XT/ECP SEVERE DUTY ENCLOSURE



1. GROUND HOLES QTY 1 1/2-13 TAP; QTY 1 3/8-16 TAP
2. VARIES +.00,-.06
3. VARIES +.00,-.001
4. ON STANDARD MOTORS THIS IS CONDUIT SIZE. ON XT AND CORROSION PROOF MOTOR THIS IS PIPE TAP.
5. MOTOR WEIGHTS MAY VARY BY 15% DEPENDING ON RATING.
6. OBSTRUCTION MUST NOT ENCROACH ON AIR INLET

[5] WEIGHT (LBS): 1370

CONDUIT BOX LOCATED ON OPPOSITE SIDE WHEN F-2.
IF MOUNTING CLEARANCE DETAILS ARE REQUIRED, CONSULT FACTORY.
MAXIMUM PERMISSIBLE SHAFT RUNOUT WHEN MEASURED AT END OF STANDARD SHAFT EXTENSION IS .003" T.I.R. TO 5 INCH DIA.

DIMENSIONS ARE IN INCHES; SEE SHEET 2 FOR DIMENSIONS IN MILLIMETERS

CUSTOMER IS RESPONSIBLE FOR DETERMINING THAT MOTOR PERFORMANCE IS SUITABLE IN THE APPLICATION.

SHEET NUMBER
1 OF 2

105-627219

REV. DESC: CHANGE BA FROM 6.76 TO 6.62			
REV: B	VERSION: 02	REVISED: 01-11-16 04/14/2014	TDR: 00000848770
MODEL NO. 617429-501		REF:	
BY: MGHM22	Material:		

BALDOR

G405T/404T STD - FOOTED - XT/ECP SEVERE DUTY ENCLOSURE

617429-501

617429-501

DUTY MASTER ALTERNATING CURRENT MOTORS

SQUIRREL-CAGE INDUCTION

ENCLOSURE: TOTALLY ENCLOSED

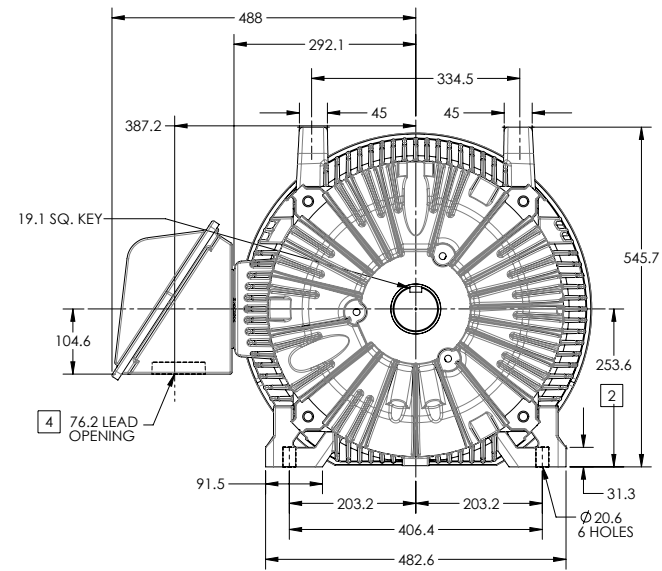
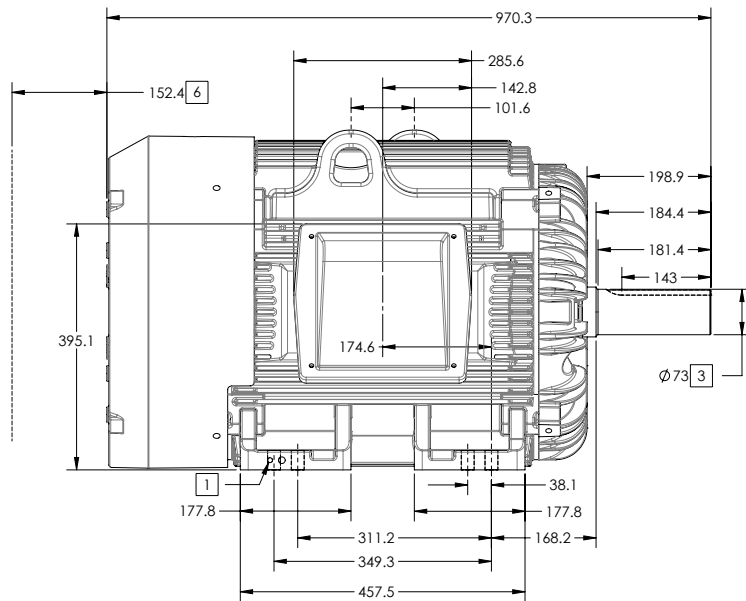
FRAME G405T ABOVE NEMA RATINGS

COOLING: FAN COOLED

MOUNTING: FOOT

INCLUDES 404T FRAME MOUNTING HOLES

XT/ECP SEVERE DUTY ENCLOSURE



1. GROUND HOLES QTY 1 1/2-13 TAP; QTY 1 3/8-16 TAP
2. VARIES +0,-1.5
3. VARIES +00,-.03
4. ON STANDARD MOTORS THIS IS CONDUIT SIZE. ON XT AND CORROSION PROOF MOTOR THIS IS PIPE TAP.
5. MOTOR WEIGHTS MAY VARY BY 15% DEPENDING ON RATING.
6. OBSTRUCTION MUST NOT ENCROACH ON AIR INLET

[5] WEIGHT (KGS): 630

CONDUIT BOX LOCATED ON OPPOSITE SIDE WHEN F-2.
IF MOUNTING CLEARANCE DETAILS ARE REQUIRED, CONSULT FACTORY.
MAXIMUM PERMISSIBLE SHAFT RUNOUT WHEN MEASURED AT END OF STANDARD SHAFT EXTENSION IS .08 MM T.I.R. TO 127 MM DIA.

DIMENSIONS ARE IN MILLIMETERS; SEE SHEET 1 FOR DIMENSIONS IN INCHES

CUSTOMER IS RESPONSIBLE FOR DETERMINING THAT MOTOR PERFORMANCE IS SUITABLE IN THE APPLICATION.

SHEET NUMBER
2 OF 2

105-627219

REV. DESC: CHANGE BA FROM 6.76 TO 6.62	TDR: 000000848770
REV: B VERSION: 02	REVISED: 01-11-16 04/14/2014
MODEL NO. 617429-501	REF:
BY: MGHMMZ2	Material:

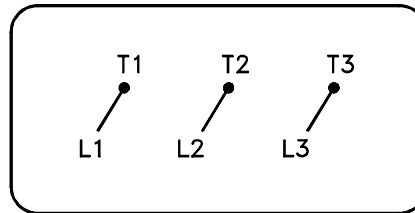
BALDOR

G405T/404T STD - FOOTED - XT/ECP SEVERE DUTY ENCLOSURE

617429-501

416820-036

A-C MOTOR
 CONNECTION DIAGRAM
 STANDARD 3 LEAD CONNECTED



(N.P. 1575-BA)

416820-036

REV. DESC: LOADED TO BUS, C/R 335225		
REV. LTR: -	VERSION: 00	TDR: 000000538207
FILE: \MGA\00000\682	REVISED: 11:54:06 04/30/2010	
MTL: -	BY: RAGRA	

BALDOR

CONN DIAG - STANDARD 3 LEAD

SH 1 of 1

Marketing maintained PDF of MN408:

<http://www.baldor.com/support/Literature/Load.ashx/MN408?ManNumber=MN408>

Marketing maintained PDF of MN416:

<http://www.baldor.com/support/Literature/Load.ashx/MN416?ManNumber=MN416>