

BALDOR® • **RELIANCE**

Product Information Packet

ECP3665T-5

5HP,1750RPM,3PH,60HZ,184T,0641M,TEFC,F1

| Part Detail | | | | | | | |
|-------------|------|----------------|-------|-------------|----------|---------------|------------|
| Revision: | J | Status: | PRD/A | Change #: | | Proprietary: | No |
| Type: | AC | Prod. Type: | 0641M | Elec. Spec: | 06WGX200 | CD Diagram: | CD0006 |
| Enclosure: | TEFC | Mfg Plant: | | Mech. Spec: | 06H483 | Layout: | 06LYH483 |
| Frame: | 184T | Mounting: | F1 | Poles: | 04 | Created Date: | 04-05-2012 |
| Base: | RG | Rotation: | R | Insulation: | F | Eff. Date: | 03-31-2015 |
| Leads: | 3#16 | | | | | Replaced By: | |
| Literature: | | Elec. Diagram: | | | | | |

| Nameplate NP3257E | | | | | | | |
|-------------------|--------------|------|------|-----|---|----|---|
| CAT.NO. | ECP3665T-5 | | | | | | |
| SPEC. | 06H483X200G2 | | | | | | |
| HP | 5 | TE | | | | | |
| VOLTS | 575 | | | | | | |
| AMP | 5.3 | | | | | | |
| RPM | 1750 | | | | | | |
| FRAME | 184T | HZ | 60 | PH | 3 | | |
| SER.F. | 1.15 | CODE | J | DES | B | CL | F |
| RATING | 40C AMB-CONT | | | | | | |
| SN | | | | | | | |
| DE | 6206 | ODE | 6206 | | | | |
| NEMA-NOM-EFF | 89.5 | PF | 79 | | | | |
| G.MIN.EFF | 87.5 | CC | 010A | | | | |
| T. CODE | T3C | T= | 160 | | | | |

| | | | |
|--------------------------|--------------|--------------------------------|-----|
| Nameplate NP3260E | | | |
| SPEC. | 06H483X200G2 | | |
| D.E. BRG. | 30BC02XP30X | | |
| O.D.E. BRG. | 30BC02XP30X | | |
| GREASE | POLYREX EM | | |
| RPM MAX | 2700 | MAX. KVAR | 1.2 |
| BLANK | | | |
| INV.TYPE | PWM | | |
| T= | 160 | | |
| C HP FR | 60 | C HP TO | 90 |
| CT HZ FROM | 1.7 | CT HZ TO | 60 |
| VT HZ FROM | 0- | VT HZ TO | 60 |
| HTR-VOLTS | | HTR-AMPS | |
| HTR-WATTS | | MAX. SPACE HEATER TEMP. | |

| Parts List | | |
|---------------|--|----------|
| Part Number | Description | Quantity |
| SA242300 | SA 06H483X200G2 | 1.000 EA |
| RA229211 | RA 06H483X200G2 | 1.000 EA |
| 36FN3000C01SP | EXFN, PLASTIC, 5.25 OD, .912 ID | 1.000 EA |
| HW3201A05 | 3/8-16 EYEBOLT | 1.000 EA |
| 06CB1000A02G | CONDUIT BOX, MACH GRAY | 1.000 EA |
| RM1016 | LEAD SEPARATOR GASKET - 305/306 C.P.MOTO | 1.000 EA |
| 51XW2520A12 | SCREW, HEX SER SLT HD, ZN, 1/4-20 X .75 | 2.000 EA |
| 11XW1032G06 | 10-32 X .38, TAPTITE II, HEX WSHR SLTD U | 1.000 EA |
| HW3001B01 | BRASS CUP WASHER, FOR #8 SCREW | 1.000 EA |
| 10XN2520S06 | 1/4 20X3/8 HX HD CAP S.S. | 2.000 EA |
| WD1000B16 | T&B CX70TN TERMINAL | 2.000 EA |
| 36EP1100B72G | FREP 6206,GRSR,RLF,.25-20 FH HOLES,DRAIN | 1.000 EA |
| HW4500A17 | 317400 ALEMITE GREASE RELIEF | 1.000 EA |
| HW4500A01 | 1641B(ALEMITE)400 UNIV, GREASE FITT | 1.000 EA |
| HA4051A00 | PLASTIC CAP FOR GREASE FITTING | 1.000 EA |
| HA4054 | SHORT T-DRAIN FITTING, .125" N.P.T. | 1.000 EA |
| HW5100A06 | W2420-025 WVY WSHR (WB) | 1.000 EA |
| 36EP1100A29G | PU ENDPLATE MACH, GRAY | 1.000 EA |
| HW4500A01 | 1641B(ALEMITE)400 UNIV, GREASE FITT | 1.000 EA |
| HA4051A00 | PLASTIC CAP FOR GREASE FITTING | 1.000 EA |
| HW4500A17 | 317400 ALEMITE GREASE RELIEF | 1.000 EA |
| HA4054 | SHORT T-DRAIN FITTING, .125" N.P.T. | 1.000 EA |
| HA3101A34 | THRUBOLT- 1/4-20 X 10.375 | 4.000 EA |
| XY2520A12 | 1/4-20 HEX NUT, DIRECTIONAL SERRATIONS | 4.000 EA |

| Parts List (continued) | | |
|------------------------|--|----------|
| Part Number | Description | Quantity |
| 06FH1004A01G | FAN HOUSING MACH, W/GRAY EPOXY | 1.000 EA |
| WD4100A02 | DP-1000 HEYCO PLUG OR 62MP1000 MICRO PL | 1.000 EA |
| 10XN2520A24 | 1/4-20X 1 1/2 HEX HD X | 3.000 EA |
| 06CB1502A01G | LIPPED CONDUIT BOX LID, MACH GRAY EPOXY | 1.000 EA |
| 06GS1003 | GASKET, KOBX LID, 1/8" THICK BLACK NEOPR | 1.000 EA |
| 10XN2520A12 | O1/4-20X 3/4 HEX HEAD CAP | 2.000 EA |
| HW1001A25 | LOCKWASHER 1/4, ZINC PLT .493 OD, .255 I | 2.000 EA |
| HA1005A22 | SLINGER, OD 2.00, ID 1.14, 206 BRG, GM | 1.000 EA |
| HW4600B36SP | V-RING SLINGER 1.188 X 1.690 X 0.240 | 1.000 EA |
| HA7000A02 | KEY RETAINER RING, 1 1/8 DIA, 1 3/8 DIA | 1.000 EA |
| MJ5001A27 | 32220KN GRAY SEALER *MIN BUY 4 QTS=1GAL | 0.001 QT |
| 85XU0407S04 | 4X1/4 U DRIVE PIN STAINLESS | 2.000 EA |
| LB1115N | LABEL,LIFTING DEVICE (ON ROLLS) | 1.000 EA |
| LB1002N | LABEL,MARINE DUTY (ON ROLLS) | 1.000 EA |
| MJ1000A75 | GREASE, POLYREX EM EXXON (USe 4824-15A) | 0.050 LB |
| MG1025N19 | PAINT, 778.50 WILKO, RELIANCE ELEC GREEN | 0.028 GA |
| HW2501E16 | 3KEY, 1/4 SQ X 1.750 | 1.000 EA |
| LB1119N | WARNING LABEL | 1.000 EA |
| LB1449 | DIV-2/NEC WARNING LABEL | 1.000 EA |
| LC0006 | CONNECTION LABEL | 1.000 EA |
| NP3257E | SS CP SUPER-E DIV-2 UL CSA-C US EEV PREM | 1.000 EA |
| NP3260E | SS CP SUPER-E AUX DATA INFORMATION | 1.000 EA |
| 85XU0407S04 | 4X1/4 U DRIVE PIN STAINLESS | 2.000 EA |
| 36PA1001 | PKG GRP, PRINT PK1017A06 | 1.000 EA |

| | | |
|----------|--|----------|
| MN416A01 | TAG-INSTAL-MAINT no wire (1200/bx) 11/14 | 1.000 EA |
|----------|--|----------|

| Accessories | | |
|--------------------|--------------------|-------------------|
| Part Number | Description | Multiplier |
| 36-1749 | C FACE KIT | A8 |

AC Induction Motor Performance Data

Record # 47632 - Typical performance - not guaranteed values

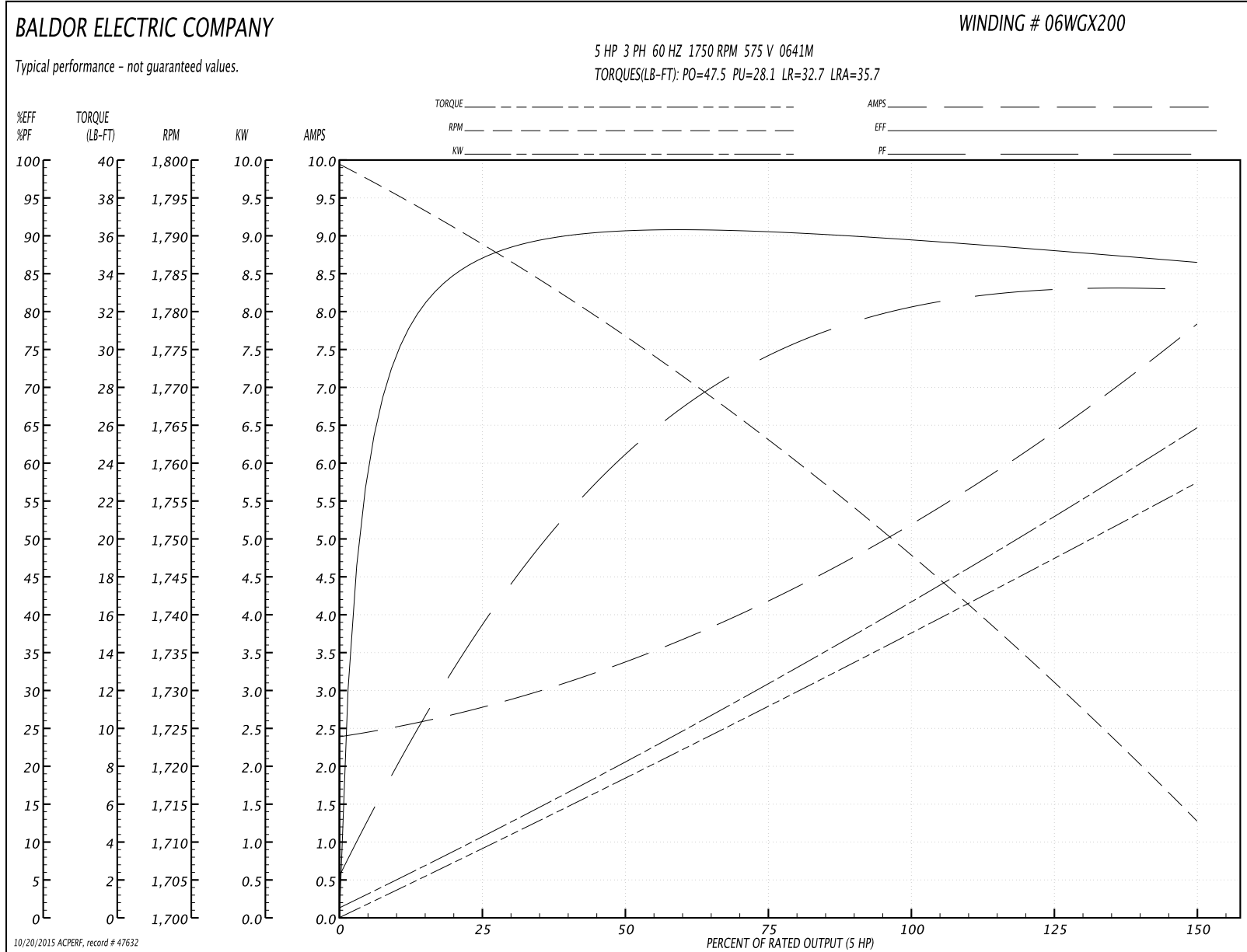
| | | |
|-------------------------------|--------------------|------------------------|
| Winding: 06WGX200-R025 | Type: 0641M | Enclosure: TEFC |
|-------------------------------|--------------------|------------------------|

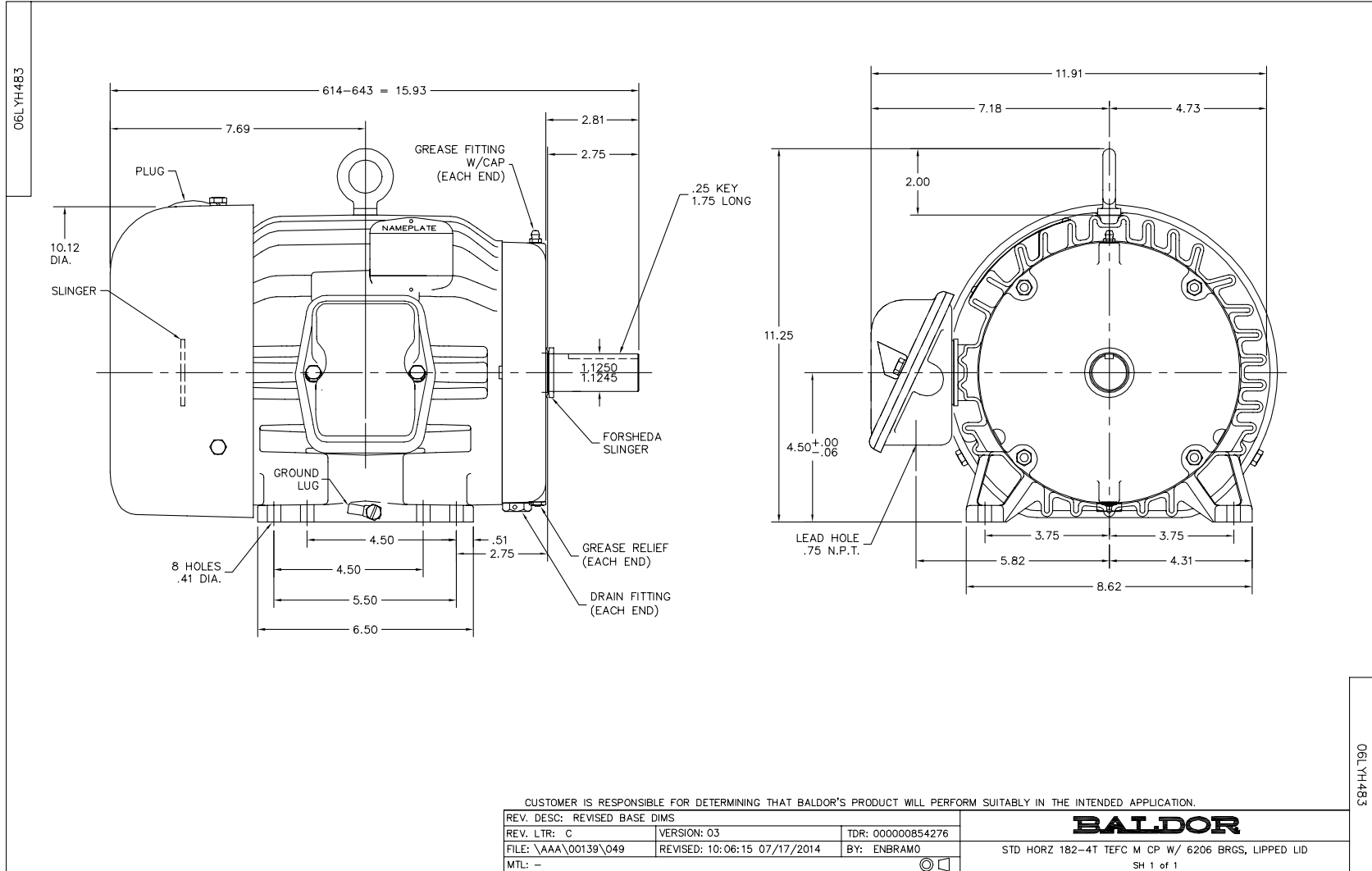
| Nameplate Data | | | | 575 V, 60 Hz: Single Voltage Motor | |
|-----------------------|--------------|--------------|----|---------------------------------------|--------------------------|
| Rated Output (HP) | 5 | | | Full Load Torque | 15 LB-FT |
| Volts | 575 | | | Start Configuration | direct on line |
| Full Load Amps | 5.3 | | | Breakdown Torque | 47.5 LB-FT |
| R.P.M. | 1750 | | | Pull-up Torque | 28.1 LB-FT |
| Hz | 60 | Phase | 3 | Locked-rotor Torque | 32.7 LB-FT |
| NEMA Design Code | B | KVA Code | J | Starting Current | 35.7 A |
| Service Factor (S.F.) | 1.15 | | | No-load Current | 2.45 A |
| NEMA Nom. Eff. | 89.5 | Power Factor | 79 | Line-line Res. @ 25°C | 3.92 Ω |
| Rating - Duty | 40C AMB-CONT | | | Temp. Rise @ Rated Load | 52°C |
| S.F. Amps | | | | Temp. Rise @ S.F. Load | 64°C |
| | | | | Rotor inertia | 0.382 LB-FT ² |

Load Characteristics 575 V, 60 Hz, 5 HP

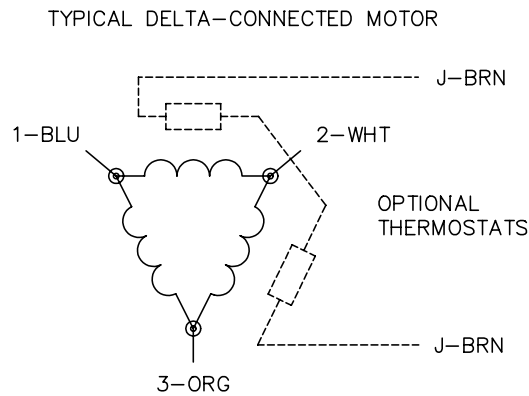
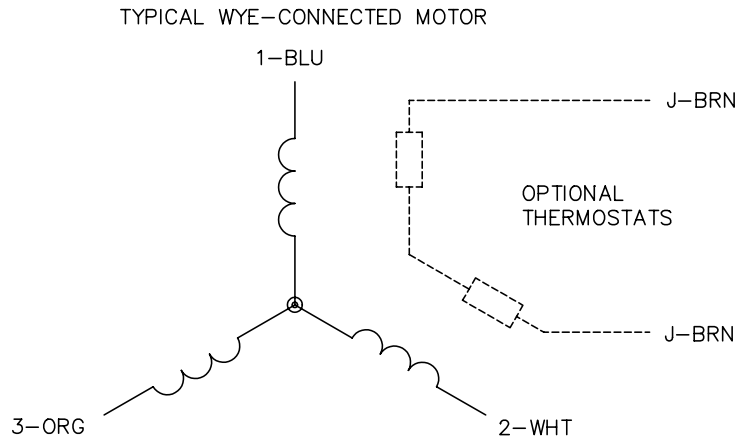
| % of Rated Load | 25 | 50 | 75 | 100 | 125 | 150 | S.F. |
|-----------------|------|------|------|------|------|------|------|
| Power Factor | 41 | 63 | 74 | 79 | 82 | 83 | 81 |
| Efficiency | 86.4 | 90.6 | 90.3 | 89.5 | 88.6 | 86.3 | 89 |
| Speed | 1788 | 1776 | 1763 | 1748 | 1732 | 1712 | 1738 |
| Line amperes | 2.72 | 3.34 | 4.21 | 5.26 | 6.44 | 7.8 | 5.97 |

Performance Graph at 575V, 60Hz, 5.0HP Typical performance - Not guaranteed values





CD0006



NOTES:

1. THREE LEAD MOTOR MAY BE EITHER WYE CONNECTED OR DELTA CONNECTED.
2. INTERCHANGE ANY TWO LINE LEADS TO REVERSE ROTATION.
3. OPTIONAL THERMOSTATS ARE PROVIDED WHEN SPECIFIED.
4. ACTUAL NUMBER OF INTERNAL PARALLEL CIRCUITS MAY VARY.
5. LEAD COLORS ARE OPTIONAL. LEADS MUST BE NUMBERED AS SHOWN.

| | | | |
|---|---------|------------------------|--------------|
| REV. DESC: REVISE TO SHOW OPTIONAL COLORS | | | |
| REV. LTR: D | BY: JLP | REVISED: 01/21/99 4:02 | TDR: 0171435 |
| 9000D | | FILE: AAA00005141 | MDL: - |
| | | MTL: - | |

BALDOR ELECTRIC Co.

3PH, SV, 3 LEADS, WYE OR DELTA CONNECTED

CD0006