

BALDOR® • ***RELIANCE***

Product Information Packet

ECP3581T-4

1HP,1765RPM,3PH,60HZ,143T,0524M,TEFC,F1

Part Detail							
Revision:	S	Status:	PRD/A	Change #:		Proprietary:	No
Type:	AC	Prod. Type:	0524M	Elec. Spec:	05WGW751	CD Diagram:	CD0006
Enclosure:	TEFC	Mfg Plant:		Mech. Spec:	05F008	Layout:	05LYF008
Frame:	143T	Mounting:	F1	Poles:	04	Created Date:	07-26-2007
Base:	RG	Rotation:	R	Insulation:	F	Eff. Date:	10-08-2015
Leads:	3#18					Replaced By:	
Literature:		Elec. Diagram:					

Nameplate NP3258E							
CAT.NO.	ECP3581T-4						
SPEC.	05F008W751G1						
HP	1	TE					
VOLTS	460						
AMP	1.5						
RPM	1765						
FRAME	143T	HZ	60	PH	3		
SER.F.	1.15	CODE	N	DES	B	CL	F
RATING	40C AMB-CONT						
SN							
DE	6205	ODE	6205				
NEMA-NOM-EFF	87.5	PF	70				
G.MIN.EFF	85.5	CC	010A				
T. CODE	T4	T=	135				

Nameplate NP3261E			
SPEC.	05F008W751G1		
D.E. BRG.	25BC02XP30X		
O.D.E. BRG.	25BC02XP30X		
GREASE	POLYREX EM		
RPM MAX	2700	MAX. KVAR	0.46
BLANK			
INV.TYPE	PWM		
T=	135		
C HP FR	60	C HP TO	90
CT HZ FROM	1.2	CT HZ TO	60
VT HZ FROM	0-	VT HZ TO	60
HTR-VOLTS		HTR-AMPS	
HTR-WATTS		MAX. SPACE HEATER TEMP.	

Parts List		
Part Number	Description	Quantity
SA161188	SA 05F008W751G1	1.000 EA
RA149753	RA 05F008W751G1	1.000 EA
34FN3002B01	EXTERNAL FAN, PLASTIC, .637/.639 HUB W/	1.000 EA
HW3201A05	3/8-16 EYEBOLT	1.000 EA
06CB1000A02G	CONDUIT BOX, MACH GRAY	1.000 EA
RM1016	LEAD SEPARATOR GASKET - 305/306 C.P.MOTO	1.000 EA
51XW2520A12	SCREW, HEX SER SLT HD, ZN, 1/4-20 X .75	2.000 EA
11XW1032G06	10-32 X .38, TAPTITE II, HEX WSHR SLTD U	1.000 EA
HW3001B01	BRASS CUP WASHER, FOR #8 SCREW	1.000 EA
10XN2520S06	1/4 20X3/8 HX HD CAP S.S.	2.000 EA
WD1000B16	T&B CX70TN TERMINAL	2.000 EA
35EP1102B03G	FREP TEFC 205 BRG,GRSR,RLF,.125 NPT DRAI	1.000 EA
HW4500A01	1641B(ALEMITE)400 UNIV, GREASE FITT	1.000 EA
HA4051A00	PLASTIC CAP FOR GREASE FITTING	1.000 EA
HW4500A17	317400 ALEMITE GREASE RELIEF	1.000 EA
HA4054	SHORT T-DRAIN FITTING, .125" N.P.T.	1.000 EA
HW5100A05	WVY WSHR F/205 & 304 BRGS	1.000 EA
35EP1102A67G	PUEP ENCL 205 BRG W/GRSR,REL F&.125 NPT D	1.000 EA
HW4500A01	1641B(ALEMITE)400 UNIV, GREASE FITT	1.000 EA
HA4051A00	PLASTIC CAP FOR GREASE FITTING	1.000 EA
HW4500A17	317400 ALEMITE GREASE RELIEF	1.000 EA
HA4054	SHORT T-DRAIN FITTING, .125" N.P.T.	1.000 EA
HA3100A37	THRUBOLT 10-32 X 8.500	4.000 EA
XY1032A02	10-32 HEX NUT DIRECTIONAL SERRATION	4.000 EA

Parts List (continued)		
Part Number	Description	Quantity
51XB1214A16	12-14X1.00 HXWSSLD SERTYB	1.000 EA
35FH1000A01G	35FH1000A01 W/GRAY FLUIDIZ	1.000 EA
WD4100A03	DE-750 HEYCO PLUG 62MP0750 MICRO PLASTIC	1.000 EA
10XN2520A16	1/4-20 X 1 HEX HEAD CAP SCR, ZINC PLATED	3.000 EA
HW1001A25	LOCKWASHER 1/4, ZINC PLT .493 OD, .255 I	3.000 EA
06CB1502A01G	LIPPED CONDUIT BOX LID, MACH GRAY EPOXY	1.000 EA
06GS1003	GASKET, KOBX LID, 1/8" THICK BLACK NEOPR	1.000 EA
10XN2520A12	O1/4-20X 3/4 HEX HEAD CAP	2.000 EA
HW1001A25	LOCKWASHER 1/4, ZINC PLT .493 OD, .255 I	2.000 EA
HW4600B32SP	V-RING SLINGER 1.000 X 1.540 X 0.240	1.000 EA
HA1005A03SP	SLINGER, OD 1.750, ID .938, 205 BRG	1.000 EA
HW2501D13SP	KEY, 3/16 SQ X 1.375	1.000 EA
HA7000A01	KEY RETAINER 7/8" DIA SHAFT	1.000 EA
MJ5001A27	32220KN GRAY SEALER *MIN BUY 4 QTS=1GAL	0.001 QT
85XU0407S04	4X1/4 U DRIVE PIN STAINLESS	2.000 EA
LB1002N	LABEL,MARINE DUTY (ON ROLLS)	1.000 EA
LB1115N	LABEL,LIFTING DEVICE (ON ROLLS)	1.000 EA
MJ1000A75	GREASE, POLYREX EM EXXON (USe 4824-15A)	0.050 LB
MG1025N19	PAINT, 778.50 WILKO, RELIANCE ELEC GREEN	0.022 GA
LB1119N	WARNING LABEL	1.000 EA
LC0006	CONNECTION LABEL	1.000 EA
LB1449	DIV-2/NEC WARNING LABEL	1.000 EA
NP3258E	SS CP SUPER-E DIV-2 UL CSA-C US EEV CC	1.000 EA
NP3261E	SS CP SUPER-E AUX DATA INFORMATION	1.000 EA

Product Information Packet: ECP3581T-4 - 1HP,1765RPM,3PH,60HZ,143T,0524M,TEFC,F1

85XU0407S04	4X1/4 U DRIVE PIN STAINLESS	2.000 EA
36PA1000	PKG GRP, PRINT PK1016A06	1.000 EA
MN416A01	TAG-INSTAL-MAINT no wire (1200/bx) 11/14	1.000 EA

Accessories		
Part Number	Description	Multiplier
35-1300	C FACE KIT	A8

AC Induction Motor Performance Data

Record # 24822 - Typical performance - not guaranteed values

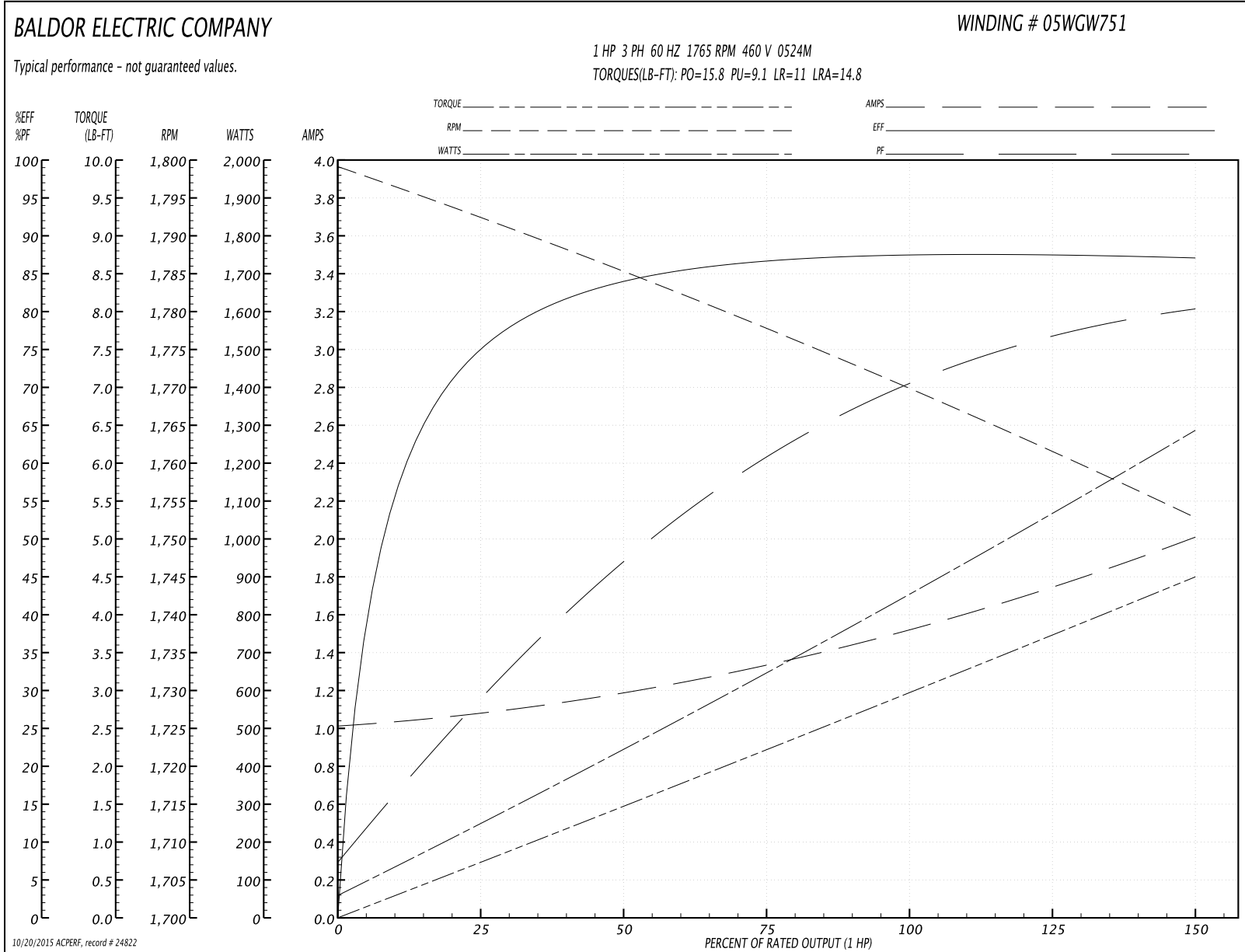
Winding: 05WGW751-R001	Type: 0524M	Enclosure: TEFC
-------------------------------	--------------------	------------------------

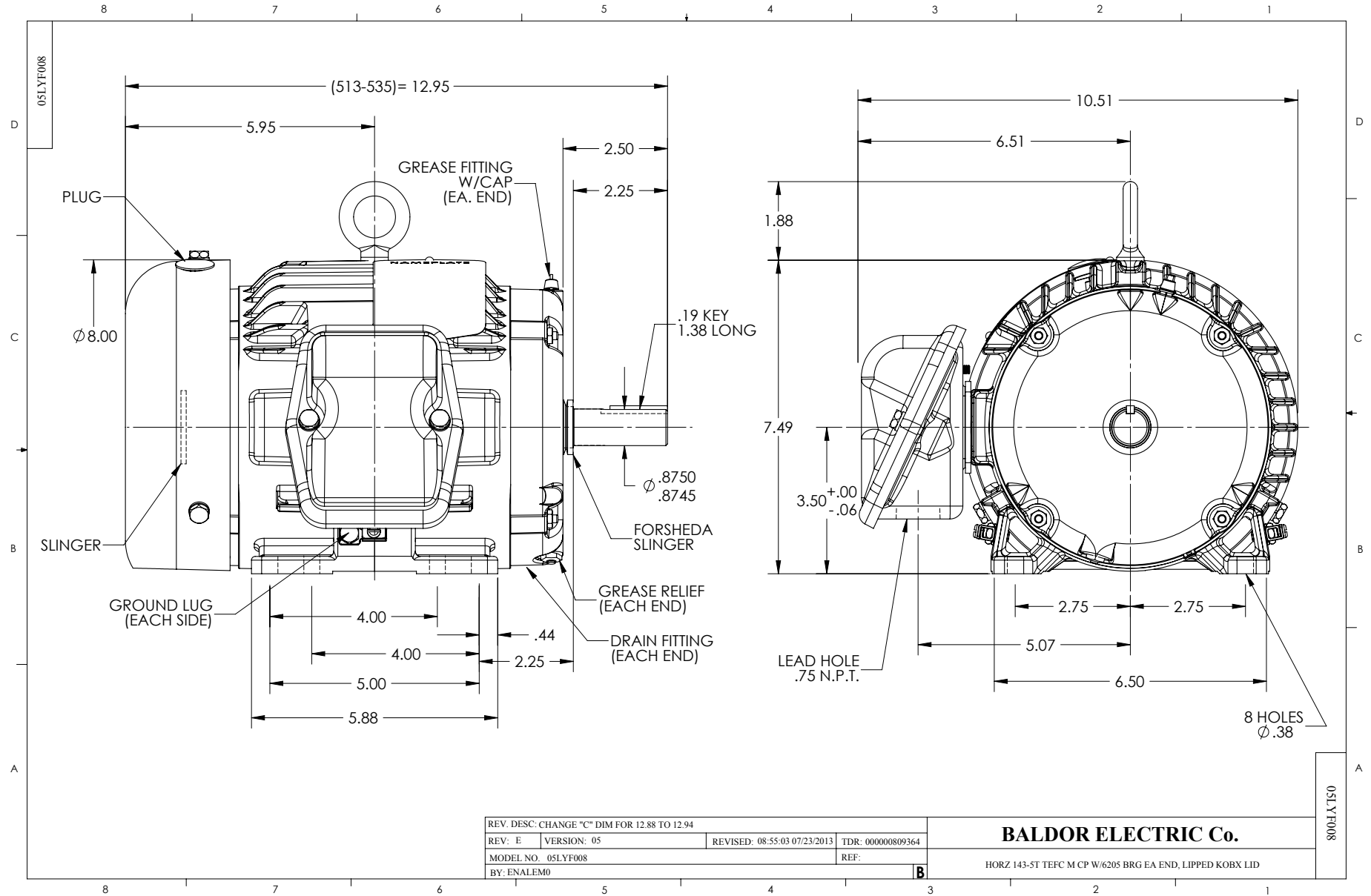
Nameplate Data				460 V, 60 Hz: Single Voltage Motor	
Rated Output (HP)	1			Full Load Torque	2.99 LB-FT
Volts	460			Start Configuration	direct on line
Full Load Amps	1.5			Breakdown Torque	15.8 LB-FT
R.P.M.	1765			Pull-up Torque	9.1 LB-FT
Hz	60	Phase	3	Locked-rotor Torque	11 LB-FT
NEMA Design Code	B	KVA Code	N	Starting Current	14.8 A
Service Factor (S.F.)	1.15			No-load Current	1.02 A
NEMA Nom. Eff.	87.5	Power Factor	70	Line-line Res. @ 25°C	12 Ω
Rating - Duty	40C AMB-CONT			Temp. Rise @ Rated Load	21°C
S.F. Amps				Temp. Rise @ S.F. Load	26°C
				Rotor inertia	0.142 LB-FT ²

Load Characteristics 460 V, 60 Hz, 1 HP

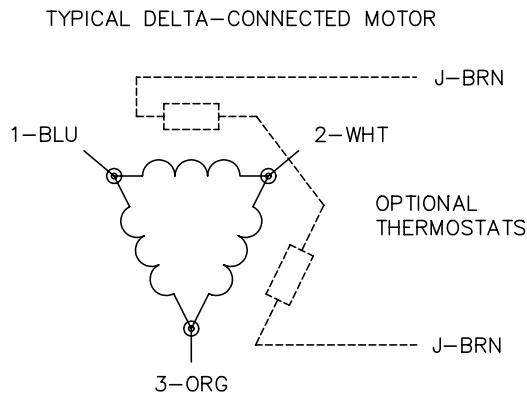
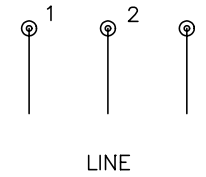
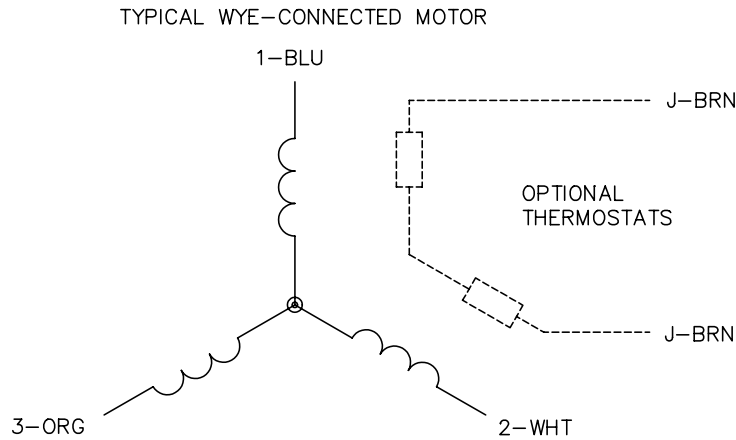
% of Rated Load	25	50	75	100	125	150	S.F.
Power Factor	28	48	60	70	77	81	74
Efficiency	74.8	84.4	87	87.9	87.7	87.3	87.8
Speed	1793	1785	1778	1770	1761	1753	1765
Line amperes	1.07	1.18	1.33	1.53	1.76	2	1.67

Performance Graph at 460V, 60Hz, 1.0HP Typical performance - Not guaranteed values





CD0006



NOTES:

1. THREE LEAD MOTOR MAY BE EITHER WYE CONNECTED OR DELTA CONNECTED.
2. INTERCHANGE ANY TWO LINE LEADS TO REVERSE ROTATION.
3. OPTIONAL THERMOSTATS ARE PROVIDED WHEN SPECIFIED.
4. ACTUAL NUMBER OF INTERNAL PARALLEL CIRCUITS MAY VARY.
5. LEAD COLORS ARE OPTIONAL. LEADS MUST BE NUMBERED AS SHOWN.

REV. DESC: REVISE TO SHOW OPTIONAL COLORS			
REV. LTR: D	BY: JLP	REVISED: 01/21/99 4:02	TDR: 0171435
9000D		FILE: AAA00005141	MDL: -
		MTL: -	

BALDOR ELECTRIC Co.

3PH, SV, 3 LEADS, WYE OR DELTA CONNECTED

CD0006