

BALDOR® • ***RELIANCE***

Product Information Packet

CFDL3514M

1.5HP, 1725RPM, 1PH, 60HZ, 56CH, 3532LC, TEFC

Part Detail							
Revision:	D	Status:	PRD/A	Change #:		Proprietary:	No
Type:	AC	Prod. Type:	3532LC	Elec. Spec:	35WGN451	CD Diagram:	CD0320
Enclosure:	TEFC	Mfg Plant:		Mech. Spec:	35E2322	Layout:	35LYE2322
Frame:	56CH	Mounting:	F1	Poles:	04	Created Date:	12-02-2013
Base:	RG	Rotation:	R	Insulation:	B	Eff. Date:	09-10-2015
Leads:	4#16 A&J,2#18 B PH,1#14 #4TH					Replaced By:	
Literature:		Elec. Diagram:					

Nameplate NP1280L							
CAT.NO.	CFDL3514M						
SPEC.	35E2322N451G1						
HP	1.5						
VOLTS	115/208-230						
AMP	12.4/6.8-6.2						
RPM	1725						
FRAME	56CH	HZ	60	PH	1		
SER.F.	1.00	CODE	J	DES	L	CL	B
NEMA-NOM-EFF	80	PF	96				
RATING	40C AMB-CONT						
CC		USABLE AT 208V					
DE	6205	ODE	6203				
ENCL	TEFC	SN					

Parts List		
Part Number	Description	Quantity
SA273490	SA 35E2322N451G1	1.000 EA
RA260086	RA 35E2322N451G1	1.000 EA
OC3060C09	CYL OIL CAP 60MFD/240V	1.000 EA
TPCRD3707	THERMAL 1PH 1.00 MAN SPL LOW TEMP WELD	1.000 EA
EC1540A04	ELEC CAP, 540-648 MFD, 125V, 1.81D X 4.	1.000 EA
WD3006A01	RSS-2-103JT 2W 10K RES. METAL OXIDE 5%	1.000 EA
NS2512A01	INSULATOR, CONDUIT BOX X	1.000 EA
35CB3007A58	35 CB .88 DIA @ 6, 1.00 MTO W/BOOT @ 3 (1.000 EA
36GS1000SP	GASKET-CONDUIT BOX, .06 THICK #SV-330 LE	1.000 EA
51XB1016A07	10-16 X 7/16 HXWSSLD SERTYB	2.000 EA
11XW1032G06	10-32 X .38, TAPTITE II, HEX WSHR SLTD U	1.000 EA
HA6015A11	EARED 1" THERMAL RETAINER (PLATED)	1.000 EA
NS2500A02	INSULATOR, MAN THER PROT	1.000 EA
RM1014A01SP	BUTYL RUB.THRM COV. (MENA)	1.000 EA
51XB1214A10	12-14 X 5/8HX WS SL SR TYBX	2.000 EA
35EP3100M02	FREP TEFC 203 BRG W/O GRSR (RAISED FH MT	1.000 EA
51XW0832A07	8-32 X .44, TAPTITE II, HEX WSHR SLTD SE	2.000 EA
HA1005A05SP	SLINGER, OD 1.50, ID .659, 203 BRG	1.000 EA
35CB3801SP	CAPACITOR COVER, CAST	1.000 EA
34GS3002	GASKET, CAPACITOR BOX	1.000 EA
HA7010	CAPACITOR RETENTION CLAMP	1.000 EA
NS2501A02	INSULATOR, CAPACITOR BOX	1.000 EA
51XB1016A08	10-16X 1/2HXWSSLD SERTYB	2.000 EA
HW5100A03SP	WAVY WASHER (W1543-017)	1.000 EA

Parts List (continued)		
Part Number	Description	Quantity
35EP3300A32	SPL FACE MTD EP ENCL 35 205 BRG NO GREAS	1.000 EA
HW4600B66	SEAL 0.938 X 1.624 X 0.250 SINGLE LIP	1.000 EA
HW4600F72	V-RING SLINGER 0.875 X 1.420 X 0.240	1.000 EA
51XN1032A20	10-32 X 1 1/4 HX WS SL SR	2.000 EA
51XB1214A16	12-14X1.00 HXWSSLD SERTYB	1.000 EA
35FH4005A32	IEC FH NO GRSR W/3 HOLES - W/AUTOPHERETI	1.000 EA
51XW1032A06	10-32 X .38, TAPTITE II, HEX WSHR SLTD S	3.000 EA
35CB4521GX	CONDUIT BOX LID KIT	1.000 EA
51XW0832A07	8-32 X .44, TAPTITE II, HEX WSHR SLTD SE	4.000 EA
HW2501D13SP	KEY, 3/16 SQ X 1.375	1.000 EA
HA7000A04	KEY RETAINER 0.625 DIA SHAFTS	1.000 EA
85XU0407S04	4X1/4 U DRIVE PIN STAINLESS	2.000 EA
LB1087	LABEL,MANUAL RESET (ROLL LABEL)	1.000 EA
MJ5001A27	32220KN GRAY SEALER *MIN BUY 4 QTS=1GAL	0.001 QT
WD1000A15	3-520132-2 AMP FLAG (4M/RL NON-CANC/NON-	4.000 EA
MJ1000A75	GREASE, POLYREX EM EXXON (USe 4824-15A)	0.050 LB
35FN3002A05SP	EXFN, PLASTIC, 6.376 OD, .638 ID	1.000 EA
MG1025C02	RAL6081, LIGHT SUPER TAN, GLOSS 85,	0.017 GA
MG1025Z20	ACTIVATOR WILKOFAS 060.32	0.010 GA
HA3100A18	THRUBOLT 10-32 X 9.250	4.000 EA
TP5059	GENERIC THERMAL KIT	1.000 EA
SP5181A01	MODEL 35 LC TORQ STAT SWITCH LEAD ASSY	1.000 EA
LC0269	1PH,DV,REV,THERMAL,7 LD,L.AMP THRU HTR H	1.000 EA
LB1119N	WARNING LABEL	1.000 EA

Product Information Packet: CFDL3514M - 1.5HP,1725RPM,1PH,60HZ,56CH,3532LC,TEFC

MN416A01	TAG-INSTAL-MAINT no wire (1200/bx) 11/14	1.000 EA
NP1280L	ALUM FARM DUTY UL CSA CC THERMAL	1.000 EA
36PA1000	PKG GRP, PRINT PK1016A06	1.000 EA

AC Induction Motor Performance Data

Record # 38318 - Typical performance - not guaranteed values

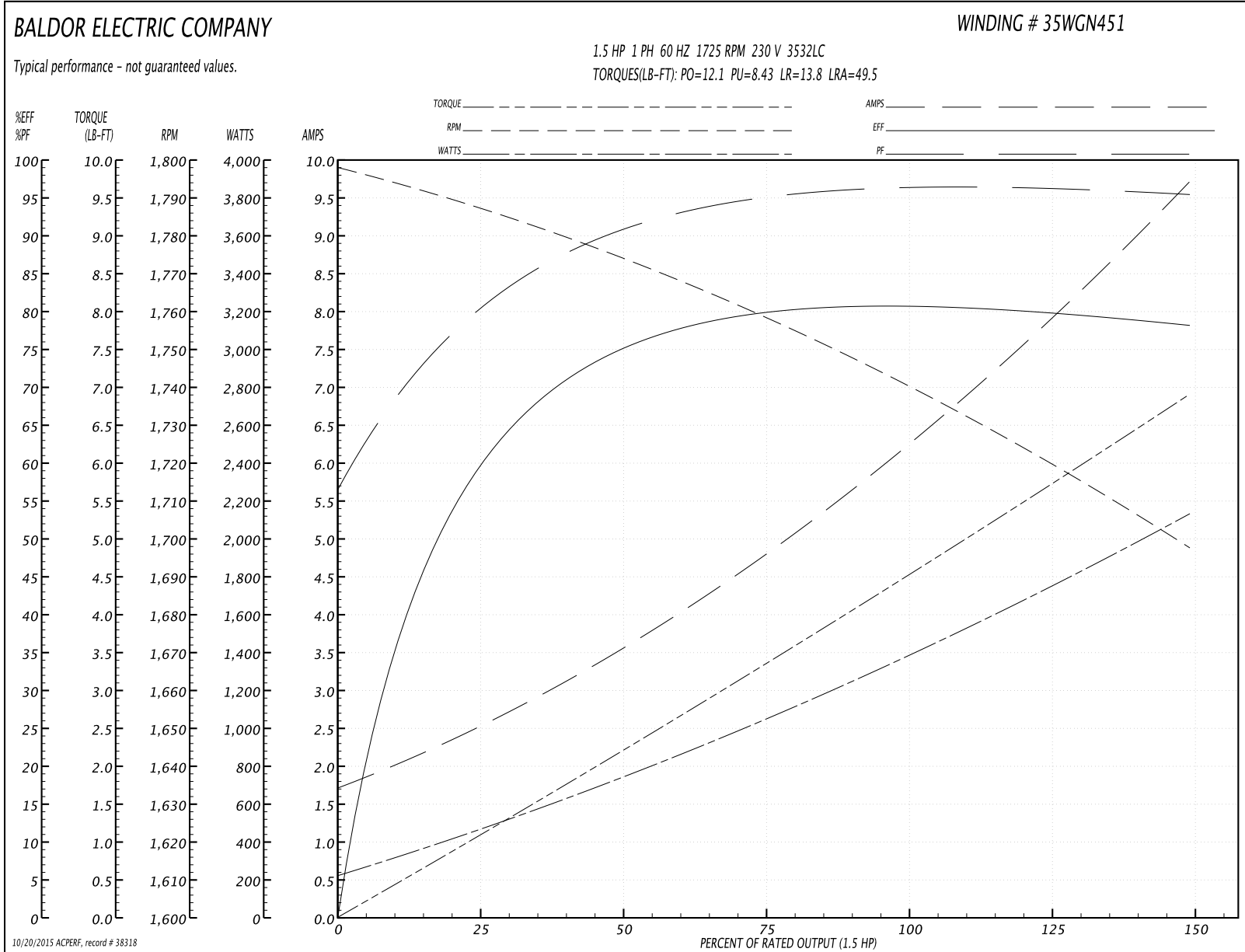
Winding: 35WGN451-R001	Type: 3532LC	Enclosure: TEFC
-------------------------------	---------------------	------------------------

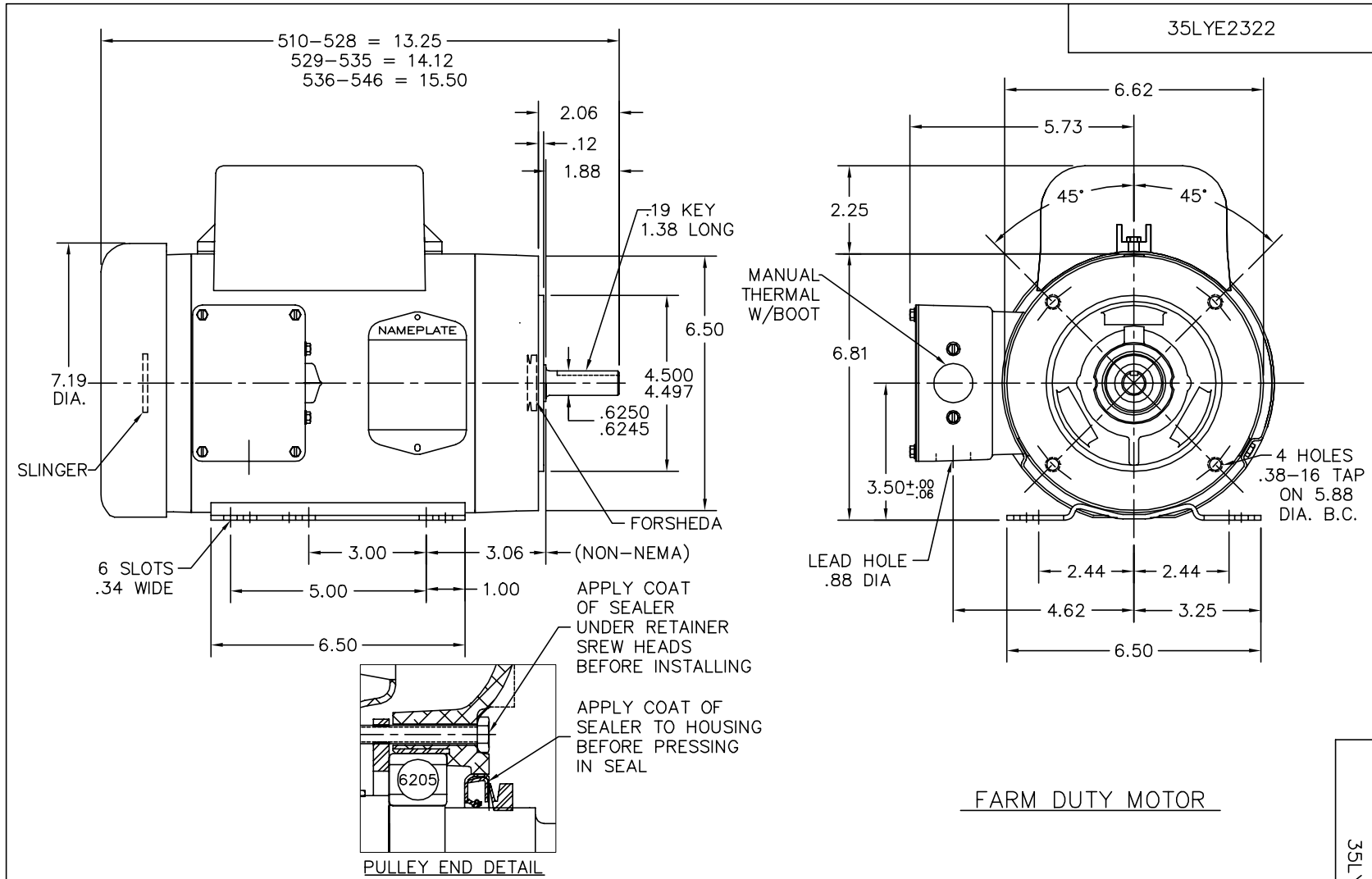
Nameplate Data				230 V, 60 Hz: High Voltage Connection	
Rated Output (HP)	1.5			Full Load Torque	4.48 LB-FT
Volts	115/208-230			Start Configuration	direct on line
Full Load Amps	12.4/6.8-6.2			Breakdown Torque	12.1 LB-FT
R.P.M.	1725			Pull-up Torque	8.43 LB-FT
Hz	60	Phase	1	Locked-rotor Torque	13.8 LB-FT
NEMA Design Code	L	KVA Code	J	Starting Current	49.5 A
Service Factor (S.F.)	1			No-load Current	1.76 A
NEMA Nom. Eff.	80	Power Factor	96	Line-line Res. @ 25°C	1.69 Ω A Ph 1.5344 Ω B Ph
Rating - Duty	40C AMB-CONT			Temp. Rise @ Rated Load	69°C

Load Characteristics 230 V, 60 Hz, 1.5 HP

% of Rated Load	25	50	75	100	125	150
Power Factor	83	91	95	96	96	96
Efficiency	58.3	74.3	79.3	81.2	80.3	77.8
Speed	1786.8	1773.6	1758.8	1742.3	1721.1	1696.6
Line amperes	2.41	3.53	4.78	6.21	7.86	9.72

Performance Graph at 230V, 60Hz, 1.5HP Typical performance - Not guaranteed values





CUSTOMER IS RESPONSIBLE FOR DETERMINING THAT BALDOR'S PRODUCT WILL PERFORM SUITABLY IN THE INTENDED APPLICATION.

REV. DESC: ADD FLAT SLINGER TO ODE		
REV. LTR: A	VERSION: 01	TDR: 000000909271
FILE: \AAA\00205\313	REVISED: 02:43:35 04/07/2015	BY: ENKANVO
MTL: -		

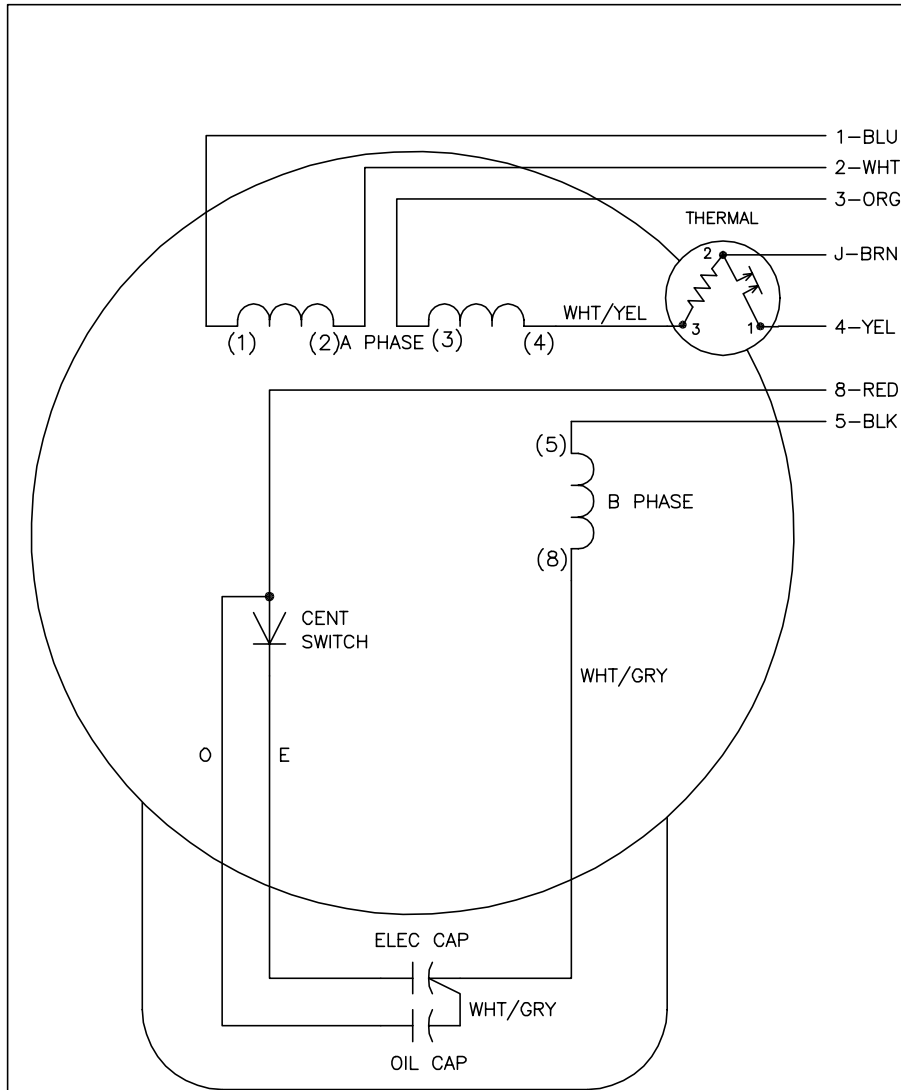
BALDOR

HOR 56CH TEFC LC,1" MTO IN KOBX FARM DUTY,W/SEAL,SEALED BRGS

SH 1 of 1

35LYE2322

CD0320



	LINE A	LINE B	JOIN	JOIN
HIGH STD	1,8	4	2,3,5	J
HIGH OPP	1,5	4	2,3,8	J
LOW STD	1,3,8	4	-	2,J,5
LOW OPP	1,3,5	4	-	2,J,8

NOTES:

1. STANDARD ROTATION IS CCW FACING END OPPOSITE SHAFT EXTENSION.
2. MULTIPLE CAPACITORS ARE CONNECTED IN PARALLEL UNLESS OTHERWISE SPECIFIED.
3. LEAD COLORS ARE OPTIONAL. LEADS MUST ALWAYS BE NUMBERED AS SHOWN.

CD0320

REV. DESC: ADD INTERNAL CONNECTION TO HELP MANUFACTURING		
REV. LTR: G	VERSION: 01	TDR: 000000941594
FILE: \AAA\00007\422	REVISED: 02:21:00 08/28/2015	BY: ENALEMO
MTL: -	© □	

BALDOR

TYPE LC, DV, REV, THERMAL, B PH AMPS THRU HTR HVC, 7 LEAD

SH 1 of 1