

BALDOR® • ***RELIANCE***

Product Information Packet

CFDL3507M

.75HP, 1725RPM, 1PH, 60HZ, 56C, 3432LC, TEFC, F

| Part Detail | | | | | | | |
|-------------|----------------|----------------|--------|-------------|----------|---------------|------------|
| Revision: | A | Status: | PRD/A | Change #: | | Proprietary: | No |
| Type: | AC | Prod. Type: | 3432LC | Elec. Spec: | 34WGW937 | CD Diagram: | CD0320 |
| Enclosure: | TEFC | Mfg Plant: | | Mech. Spec: | 34M369 | Layout: | 34LYM369 |
| Frame: | 56C | Mounting: | F1 | Poles: | 04 | Created Date: | 12-03-2013 |
| Base: | RG | Rotation: | R | Insulation: | B | Eff. Date: | 04-14-2015 |
| Leads: | 6#18,1#14 #4TH | | | | | Replaced By: | |
| Literature: | | Elec. Diagram: | | | | | |

| | | | | | | | |
|--------------------------|--------------|----------------|------|-----|---|----|---|
| Nameplate NP1280L | | | | | | | |
| CAT.NO. | CFDL3507M | | | | | | |
| SPEC. | 34M369W937 | | | | | | |
| HP | .75 | | | | | | |
| VOLTS | 115/230 | | | | | | |
| AMP | 8.8/4.4 | | | | | | |
| RPM | 1725 | | | | | | |
| FRAME | 56C | HZ | 60 | PH | 1 | | |
| SER.F. | 1.25 | CODE | M | DES | N | CL | B |
| NEMA-NOM-EFF | 74 | PF | 75 | | | | |
| RATING | 40C AMB-CONT | | | | | | |
| CC | | USABLE AT 208V | | | | | |
| DE | 6203 | ODE | 6203 | | | | |
| ENCL | TEFC | SN | | | | | |
| | SFA 10.2/5.1 | | | | | | |

| Parts List | | |
|---------------|--|----------|
| Part Number | Description | Quantity |
| SA273353 | SA 34M369W937 | 1.000 EA |
| RA259952 | RA 34M369W937 | 1.000 EA |
| OC3025F11 | CYL OIL CAP 25MFD/370V | 1.000 EA |
| TPMRD4748SP | THERMAL 1PH 0.75 MAN SPL LOW TEMP | 1.000 EA |
| EC1540A04 | ELEC CAP, 540-648 MFD, 125V, 1.81D X 4. | 1.000 EA |
| NS2512A01 | INSULATOR, CONDUIT BOX X | 1.000 EA |
| 34CB3001A39P | CONDUIT BOX, PRIMER ONLY | 1.000 EA |
| 34GS1013SP | GASKET, CONDUIT BOX LEXIDE | 1.000 EA |
| 51XB1016A07 | 10-16 X 7/16 HXWSSLD SERTYB | 2.000 EA |
| 11XW1032G06 | 10-32 X .38, TAPTITE II, HEX WSHR SLTD U | 1.000 EA |
| RM1014A01SP | BUTYL RUB. THRM COV. (MENA) | 1.000 EA |
| HA6001A01 | THERMAL RETAINER (PLATED) | 1.000 EA |
| NS2500A02 | INSULATOR, MAN THER PROT | 1.000 EA |
| 51XB1214A10 | 12-14 X 5/8HX WS SL SR TYBX | 2.000 EA |
| 51XW0832A07 | 8-32 X .44, TAPTITE II, HEX WSHR SLTD SE | 2.000 EA |
| 34EP3102A01SP | FR ENDPLATE, MACH | 1.000 EA |
| HA1005A05SP | SLINGER, OD 1.50, ID .659, 203 BRG | 1.000 EA |
| 34CB3801 | CAPACITOR BOX, DIE CAST | 1.000 EA |
| NS2501A02 | INSULATOR, CAPACITOR BOX | 1.000 EA |
| 34GS3002 | GASKET, CAPACITOR BOX | 1.000 EA |
| 34GS5003 | FOAM SLEEVE, ID = 2 1/16" X 3 3/8" | 2.000 EA |
| 51XB1214A08 | 12-14 X 1/2HX WS SL SR TYBX | 2.000 EA |
| HW5100A03SP | WAVY WASHER (W1543-017) | 1.000 EA |
| 34EP3300A55 | PU ENDPLATE, MACH W/SEAL | 1.000 EA |

| Parts List (continued) | | |
|-------------------------------|--|-----------------|
| Part Number | Description | Quantity |
| HW4600A54 | SEAL 0.668 X 1.064 X 0.250 DOUBLE SHIELD | 1.000 EA |
| HW4600B39SP | SEAL 0.550 X .790 X .180 FACE SEALING | 1.000 EA |
| 51XN1032A20 | 10-32 X 1 1/4 HX WS SL SR | 2.000 EA |
| 34FN3002A01SP | EXTERNAL FAN, PLASTIC, .637/.639 HUB W/ | 1.000 EA |
| 34FH4002A01SP | IEC FH NO GREASER | 1.000 EA |
| 51XW1032A06 | 10-32 X .38, TAPTITE II, HEX WSHR SLTD S | 3.000 EA |
| 36CB4516 | 36 LIPPED CB LID | 1.000 EA |
| 37GS1001 | GASKET, CONDUIT BOX LID, .06 THICK LEXID | 1.000 EA |
| 51XW0832A07 | 8-32 X .44, TAPTITE II, HEX WSHR SLTD SE | 4.000 EA |
| HW2501D13SP | KEY, 3/16 SQ X 1.375 | 1.000 EA |
| HA7000A04 | KEY RETAINER 0.625 DIA SHAFTS | 1.000 EA |
| MJ5001A27 | 32220KN GRAY SEALER *MIN BUY 4 QTS=1GAL | 0.001 QT |
| MG1025C02 | RAL6081, LIGHT SUPER TAN, GLOSS 85, | 0.014 GA |
| 10XF0440S02 | 04-40 X 1/8 TYPE F HEX HD STAINLESS STIC | 2.000 EA |
| SP5056A107 | 34 TYPE LC STATIONARY SWITCH W/LEADS | 1.000 EA |
| HA3100A38 | THRUBOLT 10-32 X 9.375 | 4.000 EA |
| LB1119N | WARNING LABEL | 1.000 EA |
| LB1087 | LABEL,MANUAL RESET (ROLL LABEL) | 1.000 EA |
| LC0269 | 1PH,DV,REV,THERMAL,7 LD,L.AMP THRU HTR H | 1.000 EA |
| NP1280L | ALUM FARM DUTY UL CSA CC THERMAL | 1.000 EA |
| 36PA1000 | PKG GRP, PRINT PK1016A06 | 1.000 EA |

AC Induction Motor Performance Data

Record # 7151 - Typical performance - not guaranteed values

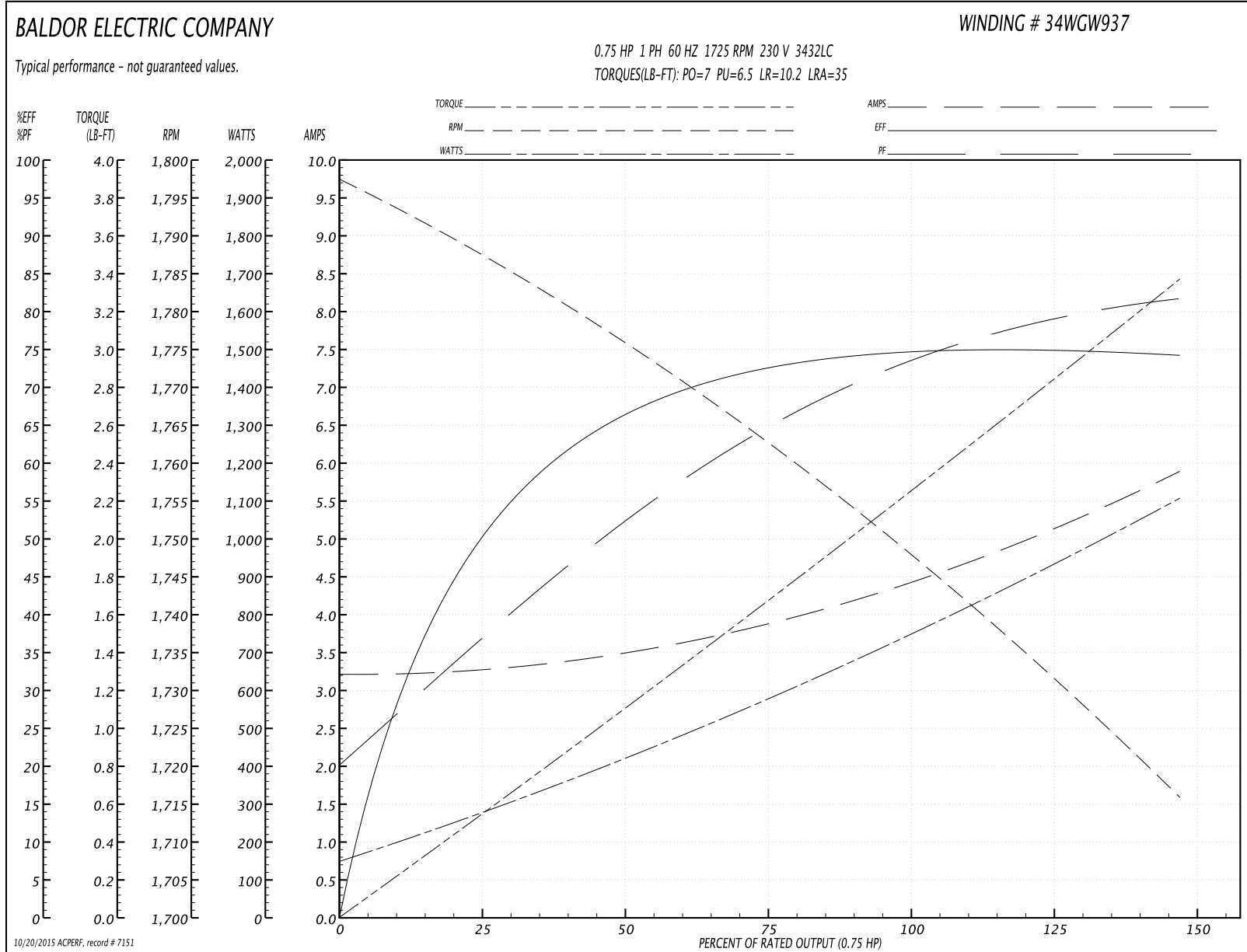
| | | |
|-------------------------------|---------------------|------------------------|
| Winding: 34WGW937-R001 | Type: 3432LC | Enclosure: TEFC |
|-------------------------------|---------------------|------------------------|

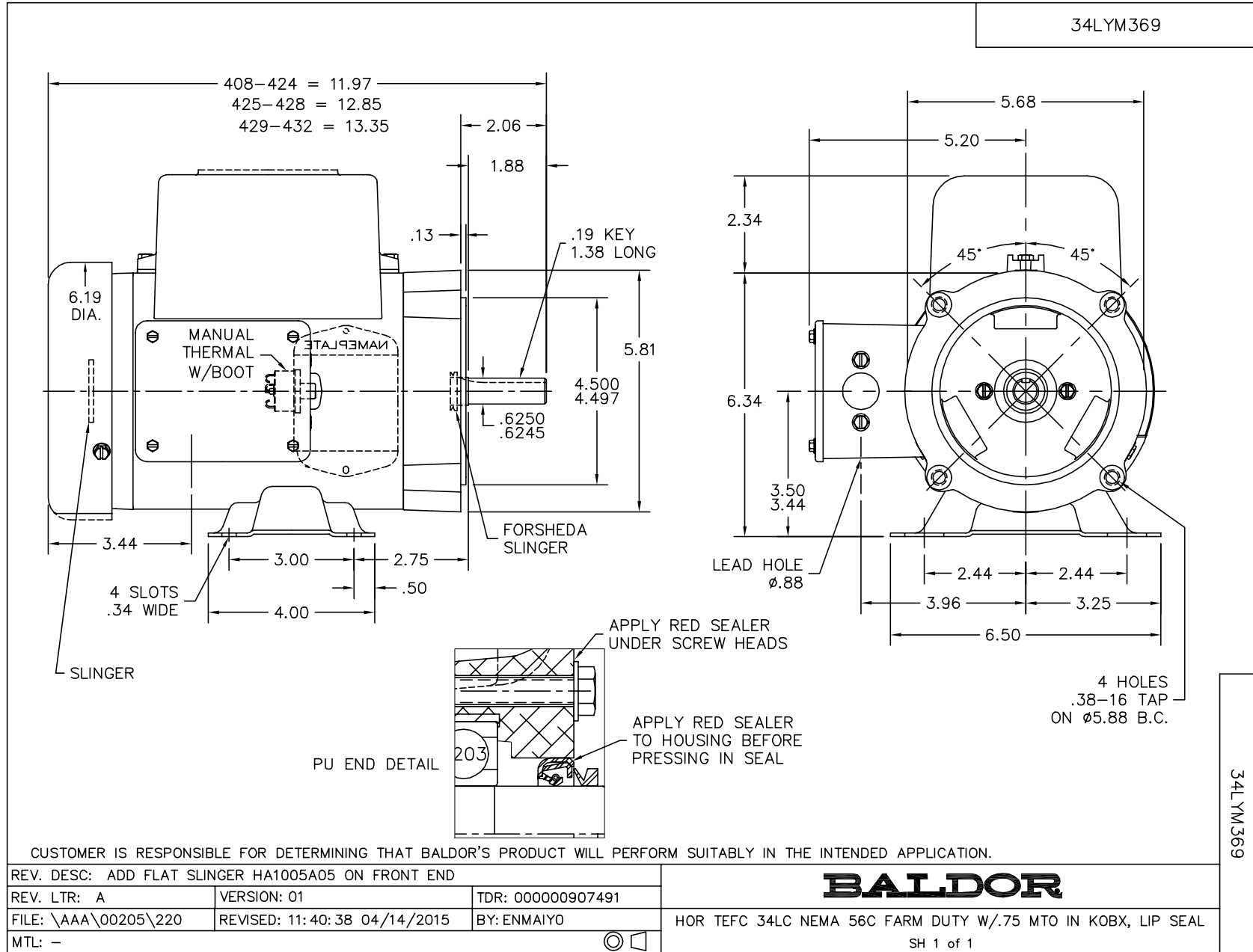
| Nameplate Data | | | | 230 V, 60 Hz: High Voltage Connection | |
|-----------------------|--------------|--------------|----|--|----------------------------|
| Rated Output (HP) | .75 | | | Full Load Torque | 2.25 LB-FT |
| Volts | 115/230 | | | Start Configuration | direct on line |
| Full Load Amps | 8.8/4.4 | | | Breakdown Torque | 7 LB-FT |
| R.P.M. | 1725 | | | Pull-up Torque | 6.5 LB-FT |
| Hz | 60 | Phase | 1 | Locked-rotor Torque | 10.2 LB-FT |
| NEMA Design Code | N | KVA Code | M | Starting Current | 35 A |
| Service Factor (S.F.) | 1.25 | | | No-load Current | 3.2 A |
| NEMA Nom. Eff. | 74 | Power Factor | 75 | Line-line Res. @ 25°C | 2.35 Ω A Ph 1.76 Ω B Ph |
| Rating - Duty | 40C AMB-CONT | | | Temp. Rise @ Rated Load | 59°C |
| S.F. Amps | 10.2/5.1 | | | Temp. Rise @ S.F. Load | 74°C |

Load Characteristics 230 V, 60 Hz, 0.75 HP

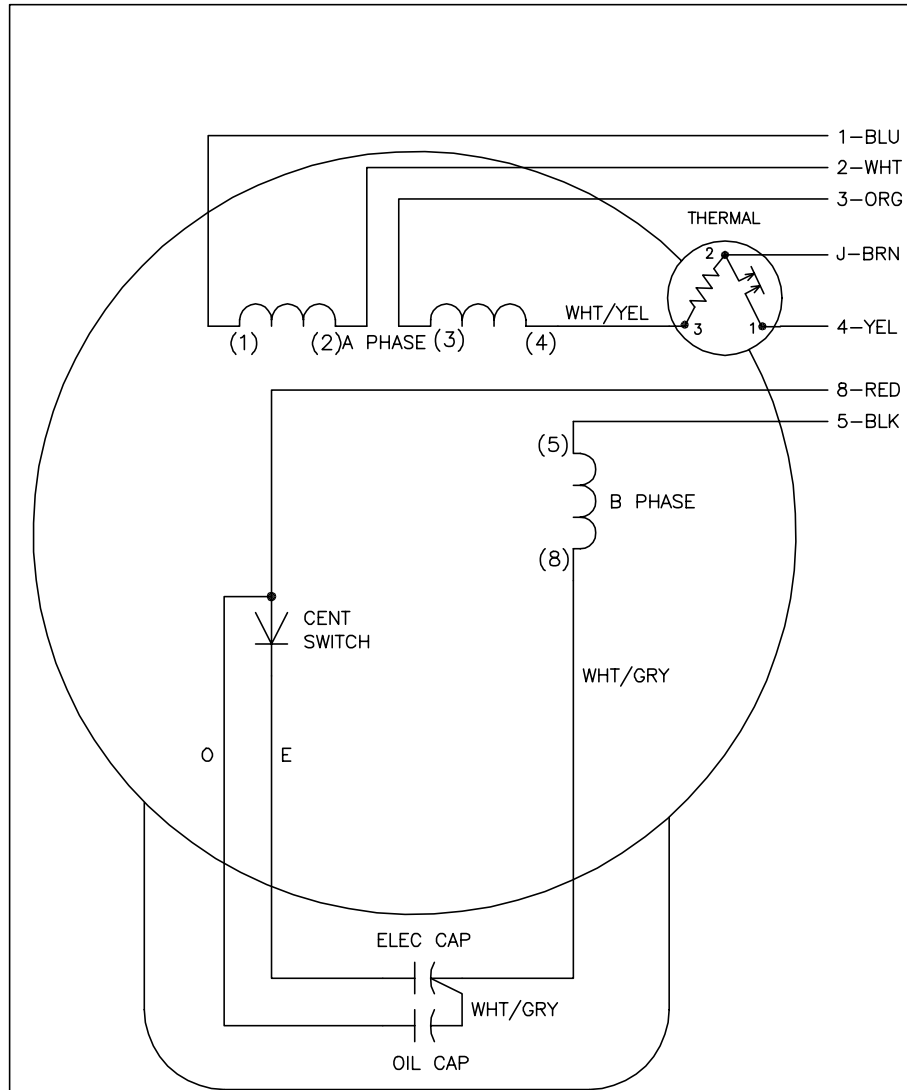
| % of Rated Load | 25 | 50 | 75 | 100 | 125 | 150 | S.F. |
|-----------------|------|------|------|------|------|------|------|
| Power Factor | 38 | 53 | 66 | 74 | 80 | 84 | 0 |
| Efficiency | 50.7 | 66 | 72.9 | 74.9 | 75.1 | 74.1 | 0 |
| Speed | 1787 | 1775 | 1761 | 1750 | 1733 | 1715 | 0 |
| Line amperes | 3.3 | 3.5 | 3.9 | 4.4 | 5.1 | 5.9 | 5.1 |

Performance Graph at 230V, 60Hz, 0.75HP Typical performance - Not guaranteed values





CD0320



| | LINE A | LINE B | JOIN | JOIN |
|----------|--------|--------|-------|-------|
| HIGH STD | 1,8 | 4 | 2,3,5 | J |
| HIGH OPP | 1,5 | 4 | 2,3,8 | J |
| LOW STD | 1,3,8 | 4 | - | 2,J,5 |
| LOW OPP | 1,3,5 | 4 | - | 2,J,8 |

NOTES:

1. STANDARD ROTATION IS CCW FACING END OPPOSITE SHAFT EXTENSION.
2. MULTIPLE CAPACITORS ARE CONNECTED IN PARALLEL UNLESS OTHERWISE SPECIFIED.
3. LEAD COLORS ARE OPTIONAL. LEADS MUST ALWAYS BE NUMBERED AS SHOWN.

CD0320

| | | |
|--|------------------------------|-------------------|
| REV. DESC: ADD INTERNAL CONNECTION TO HELP MANUFACTURING | | |
| REV. LTR: G | VERSION: 01 | TDR: 000000941594 |
| FILE: \AAA\00007\422 | REVISED: 02:21:00 08/28/2015 | BY: ENALEMO |
| MTL: - | © □ | |

BALDOR

TYPE LC, DV, REV, THERMAL, B PH AMPS THRU HTR HVC, 7 LEAD

SH 1 of 1