

# **BALDOR**® • ***RELIANCE***

## **Product Information Packet**

# **CEM4106T**

**20HP,3520RPM,3PH,60HZ,256TC,0936M,TEFC,F**

Part Detail							
Revision:	L	Status:	PRD/A	Change #:		Proprietary:	No
Type:	AC	Prod. Type:	0936M	Elec. Spec:	09WGZ601	CD Diagram:	CD0005
Enclosure:	TEFC	Mfg Plant:		Mech. Spec:	09C102	Layout:	09LYC102
Frame:	256TC	Mounting:	F1	Poles:	02	Created Date:	06-09-2010
Base:	RG	Rotation:	R	Insulation:	F	Eff. Date:	10-16-2015
Leads:	9#12					Replaced By:	
Literature:		Elec. Diagram:					

<b>Nameplate NP3441LUA</b>									
CAT.NO.	CEM4106T								
SPEC.	09C102Z601G1								
HP	20								
VOLTS	230/460								
AMP	46/23								
RPM	3520								
FRAME	256TC	HZ	60	PH	3				
SER.F.	1.15	CODE	H	DES	A	CL	F		
NEMA-NOM-EFF	91	PF	89						
RATING	40C AMB-CONT								
CC	010A	USABLE AT 208V	50						
DE	6309	ODE	6208						
ENCL	TEFC	SN							
VPWM INVERTER READY									
CT6-60H(10:1)VT3-60H(20:1)									
	50Hz 20HP 190/380V 56/28A		sf1.0						

Parts List		
Part Number	Description	Quantity
SA198112	SA 09C102Z601G1	1.000 EA
RA185479	RA 09C102Z601G1	1.000 EA
37FN3002C02	EXFN, PLASTIC, 6.00 OD, 1.500 ID	1.000 EA
S/P107-000-005	SUPER-E PROC'S(254/6 FR.) ZK PLANT - POL	1.000 EA
HW1002A63	WASHER, 5/8 HI-COLLAR SPRLCKWASHER	1.000 EA
09CB3002SP	CB W/1.38 LEAD HOLE FOR 37, 39, 307 & 30	1.000 EA
09GS1000SP	GASKET-CONDUIT BOX, 1/16 THICK LEXIDE	1.000 EA
10XN2520K12	1/4-20 X.75 GRD 5	2.000 EA
WD1000B17	T&B CX35TN TERMINAL	1.000 EA
11XW1032G06	10-32 X .38, TAPTITE II, HEX WSHR SLTD U	1.000 EA
09EP1100A194	ENDPLATE, MACH	1.000 EA
HW1001A38	LOCKWASHER 3/8, ZINC PLT .688 OD, .382 I	4.000 EA
XY3816A12	3/8-16 FINISHED NUT	4.000 EA
HW5100A08	W3118-035 WVY WSHR (WB)	1.000 EA
10XN2520K28	1/4-20 X 1.75" HX HD SCRWGRADE 5, ZINC P	2.000 EA
HW1001A25	LOCKWASHER 1/4, ZINC PLT .493 OD, .255 I	2.000 EA
09EP1300A155	PUEP MACH W/309 BRG & "O" DRAIN, SLINGER	1.000 EA
HW4600B44SP	V-RING SLINGER 1.500 X 1.810 X 0.280	1.000 EA
HW1001A25	LOCKWASHER 1/4, ZINC PLT .493 OD, .255 I	2.000 EA
10XN2520K36	1/4-20 X 2.25" HX HD SCRWGRADE 5, ZINC P	4.000 EA
HW1001A25	LOCKWASHER 1/4, ZINC PLT .493 OD, .255 I	4.000 EA
HA3113A02	THRUBOLT 3/8-16 X 16.750	4.000 EA
HW1001A38	LOCKWASHER 3/8, ZINC PLT .688 OD, .382 I	4.000 EA
HA2081A05	SPACER TUBE, 309 FAN HSG, 2.00 LONG	4.000 EA

<b>Parts List (continued)</b>		
<b>Part Number</b>	<b>Description</b>	<b>Quantity</b>
XY3816A12	3/8-16 FINISHED NUT	4.000 EA
HW1001A38	LOCKWASHER 3/8, ZINC PLT .688 OD, .382 I	4.000 EA
09CB3501SP	CONDUIT BOX LID FOR 09CB3001 & 09CB3002	1.000 EA
09GS1013SP	09 GS FOR 09CB3501 LID - LEXIDE	1.000 EA
51XW2520A12	.25-20 X .75, TAPTITE II, HEX WSHR SLTD	2.000 EA
HW2501G25	KEY, 3/8 SQ X 2.875	1.000 EA
LB1115N	LABEL,LIFTING DEVICE (ON ROLLS)	1.000 EA
MN416A01	TAG-INSTAL-MAINT no wire (1200/bx) 11/14	1.000 EA
HW4500A05	1669B ALEM/UNIV860 GR FTG X	1.000 EA
HW4500A17	317400 ALEMITE GREASE RELIEF	1.000 EA
HA4051A00	PLASTIC CAP FOR GREASE FITTING	1.000 EA
HA4066A01	PUSH IN T-DRAIN FITTING (BLACK)	1.000 EA
HW4500A03	GREASE FITTING, .125 NPT 1610(ALEMITE) 8	1.000 EA
HW4500A17	317400 ALEMITE GREASE RELIEF	1.000 EA
HA4066A01	PUSH IN T-DRAIN FITTING (BLACK)	1.000 EA
MJ1000A75	GREASE, POLYREX EM EXXON (USe 4824-15A)	0.080 LB
HA4051A00	PLASTIC CAP FOR GREASE FITTING	1.000 EA
HW2500A25	WOODRUFF KEY USA #1008 #BLOW CARBON STEE	1.000 EA
51XB1214A20	12-14X1.25 HXWSSLD SERTYB	1.000 EA
09FH4000SP	FAN COVER, STAMPED	1.000 EA
MG1000Y03	MUNSELL 2.53Y 6.70/ 4.60, GLOSS 20,	0.050 GA
85XU0407S04	4X1/4 U DRIVE PIN STAINLESS	2.000 EA
LC0005E02	SPL CONN.DIA./WARN.LABEL(LC0005/LB1119)	1.000 EA
NP3441LUA	ALUM SUPER-E VPWM INV READY UL	1.000 EA

09PA1000	PACKAGING GROUP COMBINED PRINT	1.000 EA
----------	--------------------------------	----------

**AC Induction Motor Performance Data**

Record # 31396 - Typical performance - not guaranteed values

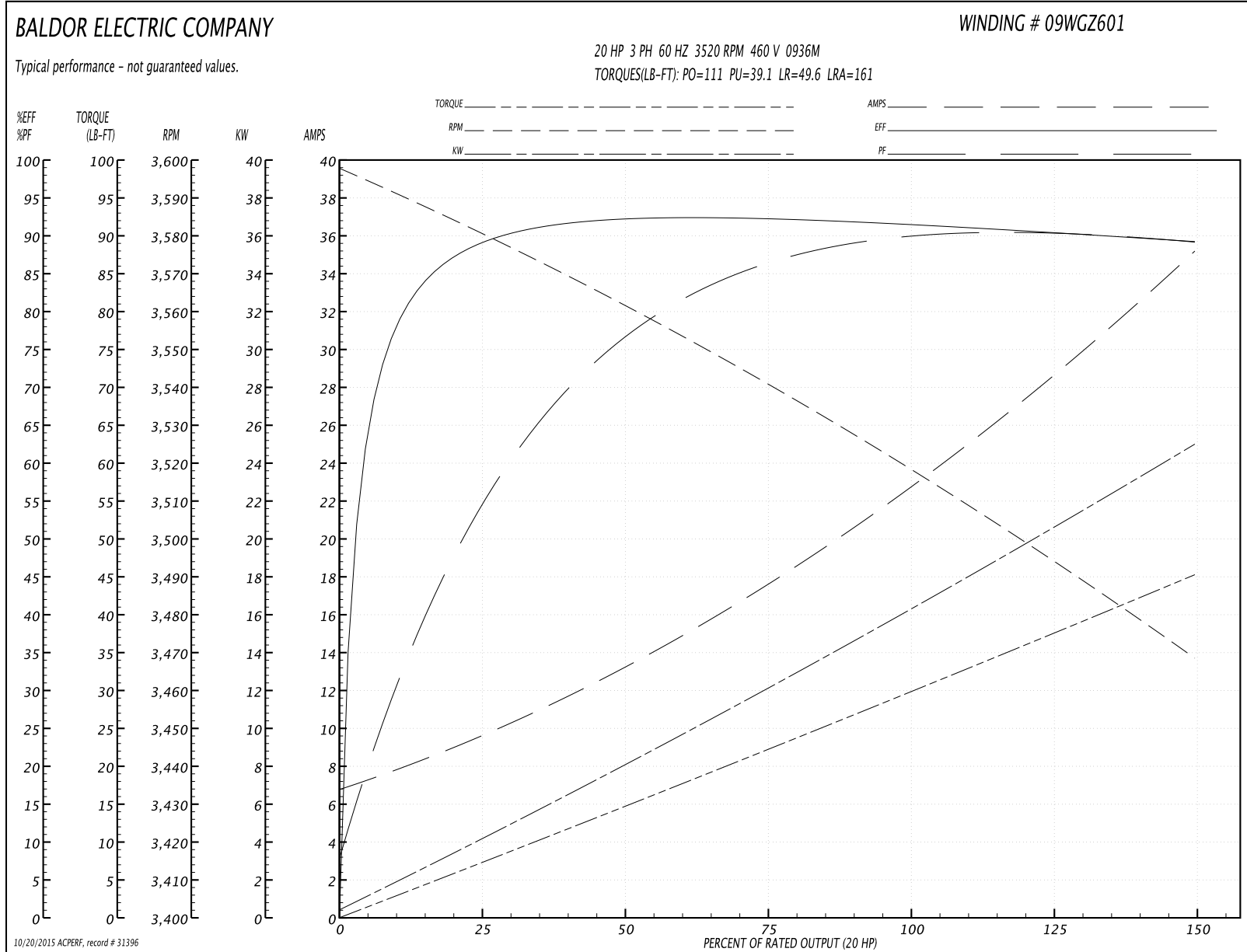
<b>Winding:</b> 09WGZ601-R001	<b>Type:</b> 0936M	<b>Enclosure:</b> TEFC
-------------------------------	--------------------	------------------------

Nameplate Data				460 V, 60 Hz: High Voltage Connection	
Rated Output (HP)	20			Full Load Torque	29.6 LB-FT
Volts	230/460			Start Configuration	direct on line
Full Load Amps	46/23			Breakdown Torque	111 LB-FT
R.P.M.	3520			Pull-up Torque	39.1 LB-FT
Hz	60	Phase	3	Locked-rotor Torque	49.6 LB-FT
NEMA Design Code	B	KVA Code	H	Starting Current	161 A
Service Factor (S.F.)	1.15			No-load Current	7.17 A
NEMA Nom. Eff.	91	Power Factor	89	Line-line Res. @ 25°C	0.47592 Ω
Rating - Duty	40C AMB-CONT			Temp. Rise @ Rated Load	76°C
S.F. Amps				Temp. Rise @ S.F. Load	95°C
				Rotor inertia	0.92 LB-FT <sup>2</sup>

Load Characteristics 460 V, 60 Hz, 20 HP

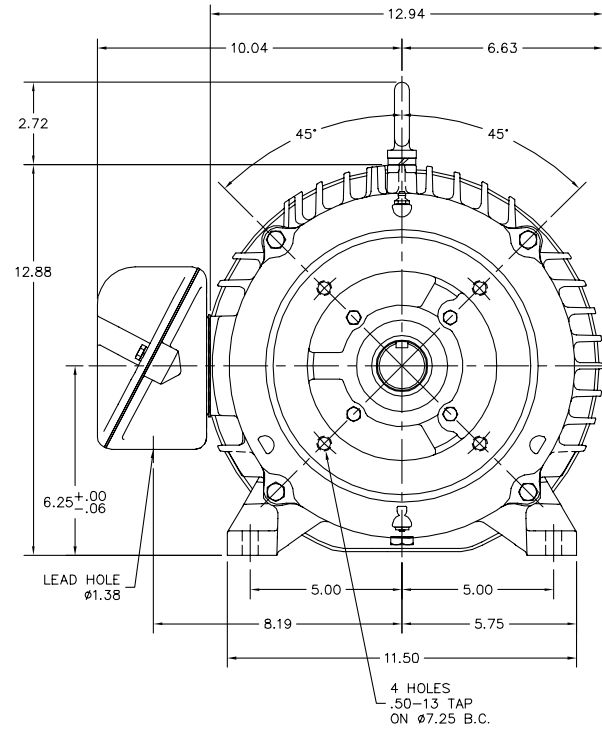
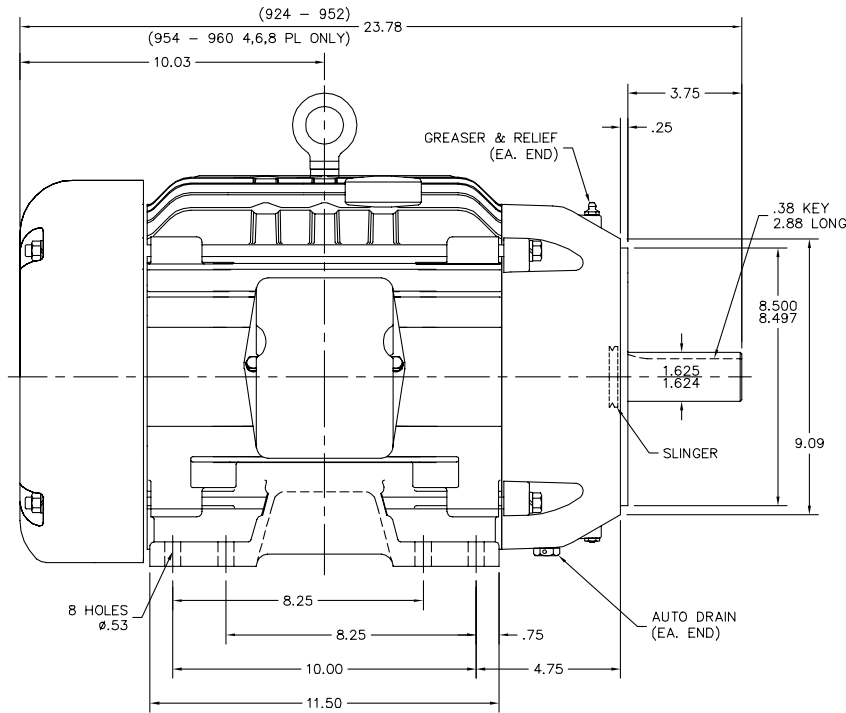
% of Rated Load	25	50	75	100	125	150	S.F.
Power Factor	58	78	86	89	90	90	90
Efficiency	88.9	92.2	92.4	91.7	90.7	89.2	91.1
Speed	3579.6	3561.5	3541.3	3519.5	3495.4	3467.8	3505
Line amperes	9	13	17.7	22.9	28.6	35	26.3

Performance Graph at 460V, 60Hz, 20.0HP Typical performance - Not guaranteed values





09LYC102



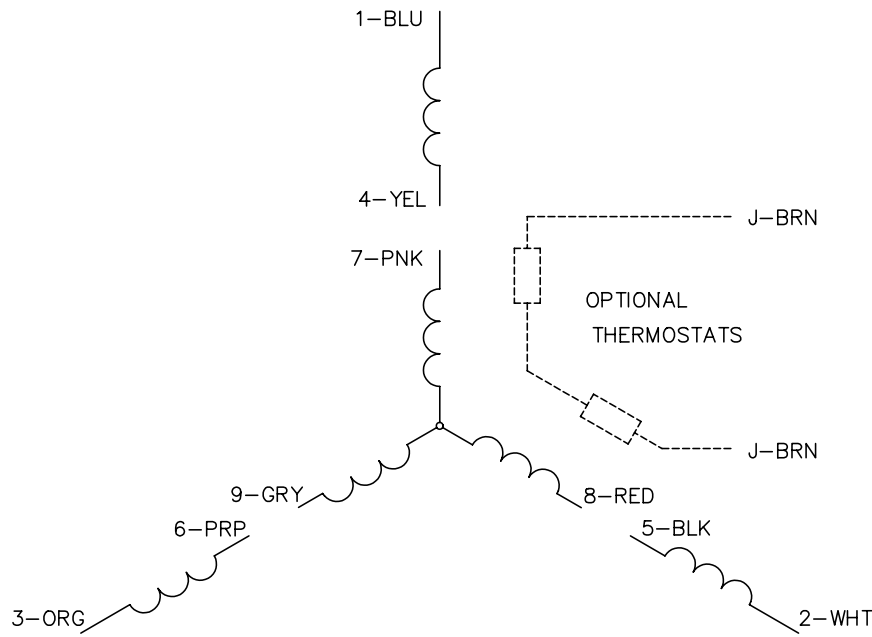
09LYC102

CUSTOMER IS RESPONSIBLE FOR DETERMINING THAT BALDOR'S PRODUCT WILL PERFORM SUITABLY IN THE INTENDED APPLICATION.

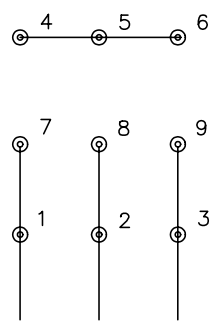
REV. DESC: UPDATE DESCRIPTION		
REV. LTR: P	VERSION: 05	TDR: 000000855568
FILE: \AAA\00000\419	REVISED: 12:27:21 05/28/2014	BY: ENBRISO
MTL: -		

**BALDOR**  
HORZ TEFC 254-6TC  
SH 1 of 1

CD0005

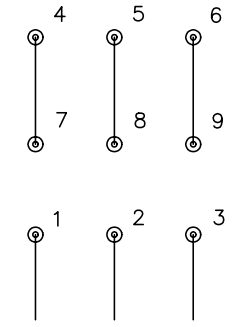


LOW VOLTAGE (2Y)



LINE

HIGH VOLTAGE (1Y)



LINE

NOTES:

1. INTERCHANGE ANY TWO LINE LEADS TO REVERSE ROTATION.
2. OPTIONAL THERMOSTATS ARE PROVIDED WHEN SPECIFIED.
3. ACTUAL NUMBER OF INTERNAL PARALLEL CIRCUITS MAY BE A MULTIPLE OF THOSE SHOWN ABOVE.
4. LEAD COLORS ARE OPTIONAL. LEADS MUST ALWAYS BE NUMBERED AS SHOWN.

REV. DESC: REVISE TO SHOW OPTIONAL COLORS			
REV. LTR: E	BY: JLP	REVISED: 01/19/99 10:15	TDR: 0171435
900003		FILE: AAA00005140	MDL: -
		MTL: -	

**BALDOR ELECTRIC Co.**

3PH, DV, 9 LEADS

CD0005