

BALDOR® • RELIANCE

Product Information Packet

CEM3774T

10HP, 1760RPM, 3PH, 60HZ, 215TC, 0748M, TEFC, F

Part Detail							
Revision:	R	Status:	PRD/A	Change #:		Proprietary:	No
Type:	AC	Prod. Type:	0748M	Elec. Spec:	07WGY179	CD Diagram:	CD0005
Enclosure:	TEFC	Mfg Plant:		Mech. Spec:	07H058	Layout:	07LYH058
Frame:	215TC	Mounting:	F1	Poles:	04	Created Date:	05-07-2010
Base:	RG	Rotation:	R	Insulation:	F	Eff. Date:	10-16-2015
Leads:	9#14					Replaced By:	
Literature:		Elec. Diagram:					

Nameplate NP3441LUA							
CAT.NO.	CEM3774T						
SPEC.	07H058Y179G1						
HP	10						
VOLTS	230/460						
AMP	24.4/12.2						
RPM	1760						
FRAME	215TC	HZ	60	PH	3		
SER.F.	1.15	CODE	H	DES	B	CL	F
NEMA-NOM-EFF	91.7	PF	83				
RATING	40C AMB-CONT						
CC	010A	USABLE AT 208V	26.5				
DE	6307	ODE	6206				
ENCL	TEFC	SN					
VPWM INVERTER READY							
CT6-60H(10:1)VT3-60H(20:1)							
	50Hz 10HP 190/380V 29.4/14.7A SF1.0						

Parts List		
Part Number	Description	Quantity
SA194690	SA 07H058Y179G1	1.000 EA
RA182276	RA 07H058Y179G1	1.000 EA
37FN3002C01	EXFN, PLASTIC, 6.00 OD, 1.155 ID	1.000 EA
S/P107-000-005	SUPER-E PROC'S(254/6 FR.) ZK PLANT - POL	1.000 EA
HW3201A05	3/8-16 EYEBOLT	1.000 EA
09CB3002SP	CB W/1.38 LEAD HOLE FOR 37, 39, 307 & 30	1.000 EA
09GS1000SP	GASKET-CONDUIT BOX, 1/16 THICK LEXIDE	1.000 EA
51XW2520A12	.25-20 X .75, TAPTITE II, HEX WSHR SLTD	2.000 EA
11XW1032G06	10-32 X .38, TAPTITE II, HEX WSHR SLTD U	1.000 EA
HW3001B02	1RASS CUP WASHER W/GROUND SYMBOL TAB,	1.000 EA
37EP1100A111	FR ENDPLATE MACH FOR GREASER & RELIEF	1.000 EA
HW4500A17	317400 ALEMITE GREASE RELIEF	1.000 EA
HW4500A01	1641B(ALEMITE)400 UNIV, GREASE FITT	1.000 EA
HW5100A06	W2420-025 WVY WSHR (WB)	1.000 EA
37EP1300A10	FACE MTD EP,307BRG,213-5TC,GRSR,RELIEF &	1.000 EA
HW4500A17	317400 ALEMITE GREASE RELIEF	1.000 EA
HW4500A01	1641B(ALEMITE)400 UNIV, GREASE FITT	1.000 EA
10XN2520K30	STD.25X20 THD HEX HD CAP SCREW, GRADE 5	4.000 EA
HW1001A25	LOCKWASHER 1/4, ZINC PLT .493 OD, .255 I	4.000 EA
XY3118A12	5/16-18 HEX NUT DIRECTIONAL SERRATION	4.000 EA
51XB1214A20	12-14X1.25 HXWSSLD SERTYB	1.000 EA
07FH4007SP	IEC FH W/GRSR, NOTCH @ 6:00 & 3 FAN CVR	1.000 EA
51XW1032A06	10-32 X .38, TAPTITE II, HEX WSHR SLTD S	3.000 EA
09CB3501SP	CONDUIT BOX LID FOR 09CB3001 & 09CB3002	1.000 EA

Parts List (continued)		
Part Number	Description	Quantity
09GS1013SP	09 GS FOR 09CB3501 LID - LEXIDE	1.000 EA
51XW2520A12	.25-20 X .75, TAPTITE II, HEX WSHR SLTD	2.000 EA
HW2501F21	KEY, 5/16 SQ X 2.375	1.000 EA
HA7000A02	KEY RETAINER RING, 1 1/8 DIA, 1 3/8 DIA	1.000 EA
85XU0407S04	4X1/4 U DRIVE PIN STAINLESS	2.000 EA
LB1115N	LABEL,LIFTING DEVICE (ON ROLLS)	1.000 EA
MJ1000A75	GREASE, POLYREX EM EXXON (USe 4824-15A)	0.050 LB
51XB1214A20	12-14X1.25 HXWSSLD SERTYB	1.000 EA
HA3104A32	THRUBOLT- 5/16-18 X12.750	4.000 EA
MG1000Y03	MUNSELL 2.53Y 6.70/ 4.60, GLOSS 20,	0.036 GA
LC0005E02	SPL CONN.DIA./WARN.LABEL(LC0005/LB1119)	1.000 EA
NP3441LUA	ALUM SUPER-E VPWM INV READY UL	1.000 EA
07PA1000	PACKAGING GROUP COMBINED PRINT	1.000 EA

AC Induction Motor Performance Data

Record # 32060 - Typical performance - not guaranteed values

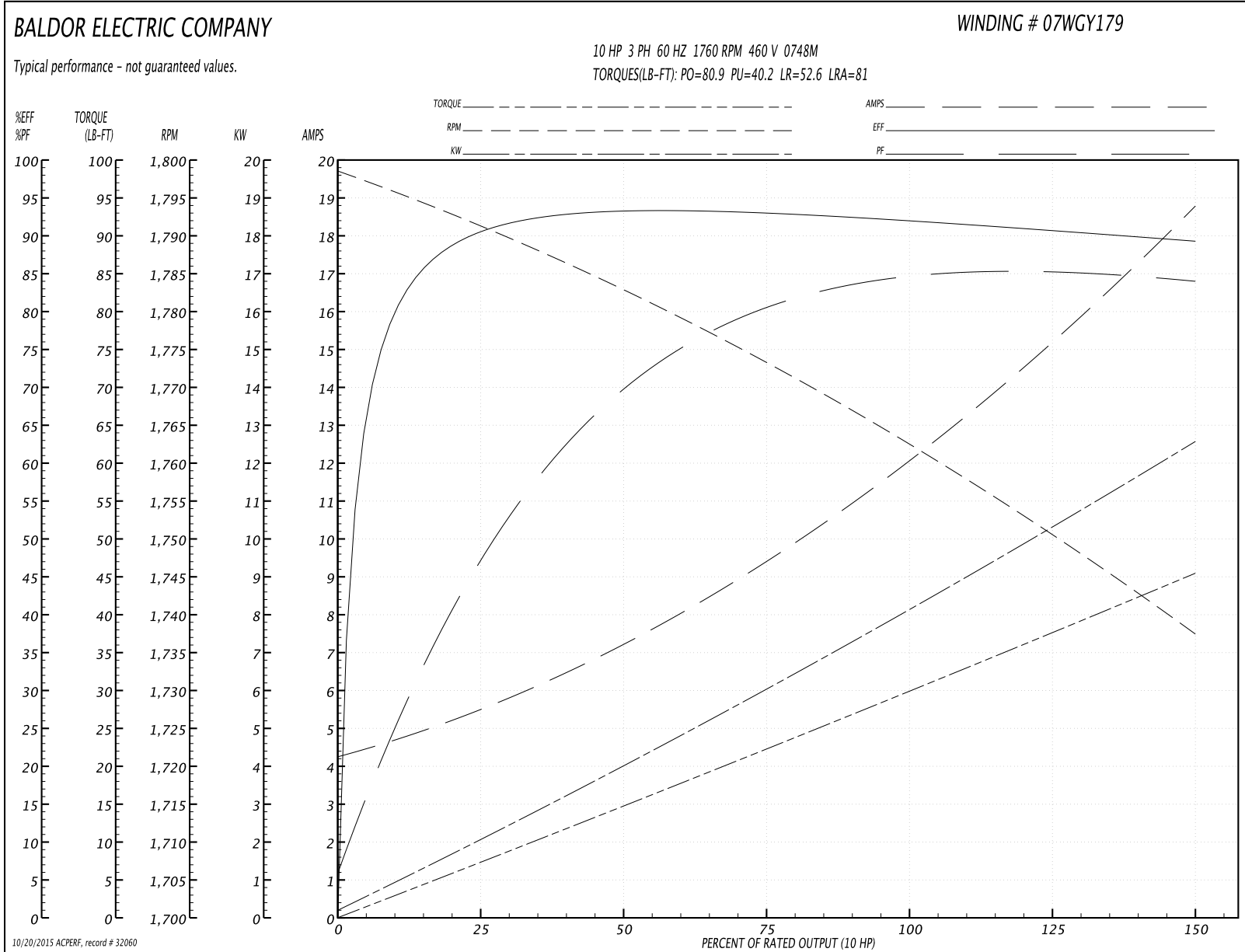
Winding: 07WGY179-R005	Type: 0748M	Enclosure: TEFC
-------------------------------	--------------------	------------------------

Nameplate Data				460 V, 60 Hz: High Voltage Connection	
Rated Output (HP)	10			Full Load Torque	29.8 LB-FT
Volts	230/460			Start Configuration	direct on line
Full Load Amps	24.4/12.2			Breakdown Torque	80.9 LB-FT
R.P.M.	1760			Pull-up Torque	40.2 LB-FT
Hz	60	Phase	3	Locked-rotor Torque	52.6 LB-FT
NEMA Design Code	B	KVA Code	H	Starting Current	81 A
Service Factor (S.F.)	1.15			No-load Current	4.44 A
NEMA Nom. Eff.	91.7	Power Factor	83	Line-line Res. @ 25°C	1.08 Ω
Rating - Duty	40C AMB-CONT			Temp. Rise @ Rated Load	64°C
S.F. Amps				Temp. Rise @ S.F. Load	80°C
				Rotor inertia	1.18 LB-FT ²

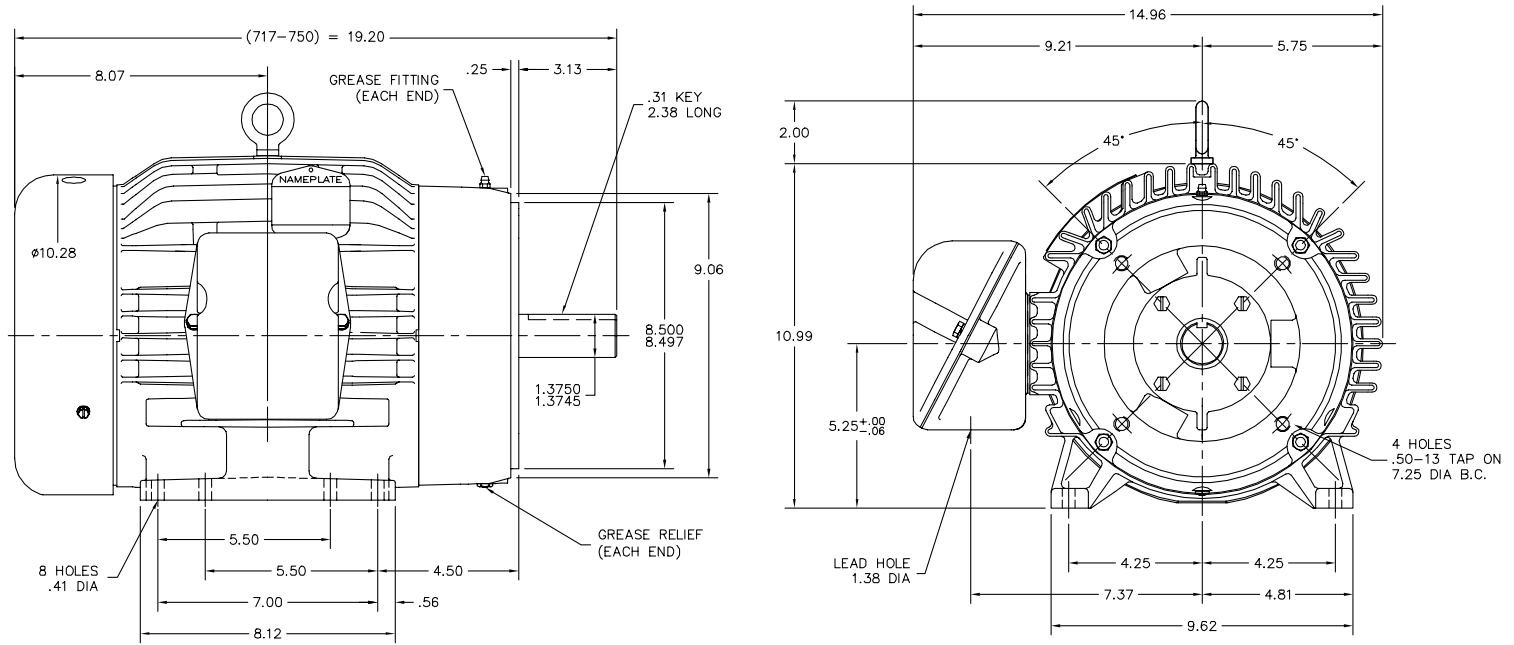
Load Characteristics 460 V, 60 Hz, 10 HP

% of Rated Load	25	50	75	100	125	150	S.F.
Power Factor	50	71	80	83	85	85	84
Efficiency	90.4	92.5	92.9	92.3	90.9	89.1	91.5
Speed	1791	1782	1774	1763	1751	1737	1756
Line amperes	5.24	7.1	9.42	12.2	15.2	18.7	14

Performance Graph at 460V, 60Hz, 10.0HP Typical performance - Not guaranteed values



07LYH058



07LYH058

CUSTOMER IS RESPONSIBLE FOR DETERMINING THAT BALDOR'S PRODUCT WILL PERFORM SUITABLY IN THE INTENDED APPLICATION.

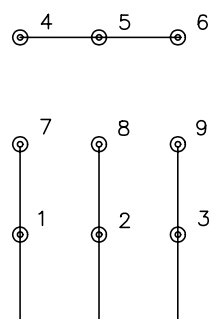
REV. DESC: OMIT GROUND LUG FROM LAYOUT		
REV. LTR: M	VERSION: 03	TDR: 000000569767
FILE: \AAA\00016\842	REVISED: 08:57:45 12/03/2010	BY: ENMATRO
MTL: -		

BALDOR
 HORZ 213-5TC TEFC 307M SUPER-E
 SH 1 of 1

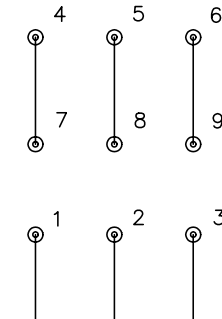
CD0005



LOW VOLTAGE
(2Y)



HIGH VOLTAGE
(1Y)



NOTES:

1. INTERCHANGE ANY TWO LINE LEADS TO REVERSE ROTATION.
2. OPTIONAL THERMOSTATS ARE PROVIDED WHEN SPECIFIED.
3. ACTUAL NUMBER OF INTERNAL PARALLEL CIRCUITS MAY BE A MULTIPLE OF THOSE SHOWN ABOVE.
4. LEAD COLORS ARE OPTIONAL. LEADS MUST ALWAYS BE NUMBERED AS SHOWN.

REV. DESC: REVISE TO SHOW OPTIONAL COLORS			
REV. LTR: E	BY: JLP	REVISED: 01/19/99 10:15	TDR: 0171435
9000D		FILE: AAA00005140	MDL: -
		MTL: -	

BALDOR ELECTRIC Co.

3PH, DV, 9 LEADS

CD0005