

BALDOR® • **RELIANCE**

Product Information Packet

CEM3665T-5

5HP, 1750RPM, 3PH, 60HZ, 184TC, 0641M, TEFC, F1

Part Detail							
Revision:	F	Status:	PRD/A	Change #:		Proprietary:	No
Type:	AC	Prod. Type:	0641M	Elec. Spec:	06WGX200	CD Diagram:	CD0006
Enclosure:	TEFC	Mfg Plant:		Mech. Spec:	06F057	Layout:	06LYF057
Frame:	184TC	Mounting:	F1	Poles:	04	Created Date:	08-03-2010
Base:	RG	Rotation:	R	Insulation:	F	Eff. Date:	10-16-2015
Leads:	3#16					Replaced By:	
Literature:		Elec. Diagram:					

Nameplate NP3441L							
CAT.NO.	CEM3665T-5						
SPEC.	06F057X200G1						
HP	5						
VOLTS	575						
AMP	5.3						
RPM	1750						
FRAME	184TC	HZ	60	PH	3		
SER.F.	1.15	CODE	J	DES	B	CL	F
NEMA-NOM-EFF	89.5	PF	79				
RATING	40C AMB-CONT						
CC	010A	USABLE AT 208V					
DE	6206	ODE	6205				
ENCL	TEFC	SN					
VPWM INVERTER READY							
CT6-60H(10:1)VT3-60H(20:1)							

Parts List		
Part Number	Description	Quantity
SA200773	SA 06F057X200G1	1.000 EA
RA188086	RA 06F057X200G1	1.000 EA
36FN3000C01SP	EXFN, PLASTIC, 5.25 OD, .912 ID	1.000 EA
S/P107-000-001	SUPER E PROC'S-FS, WS & CK PLTS	1.000 EA
HW3201A05	3/8-16 EYEBOLT	1.000 EA
06CB3000	BALDOR CONDUIT BOX CAST	1.000 EA
06GS1000	GASKET,CONDUIT BOX	1.000 EA
51XW2520A12	SCREW, HEX SER SLT HD, ZN, 1/4-20 X .75	2.000 EA
51XW2520A12	.25-20 X .75, TAPTITE II, HEX WSHR SLTD	2.000 EA
11XW1032G06	10-32 X .38, TAPTITE II, HEX WSHR SLTD U	1.000 EA
HW3001B01	BRASS CUP WASHER, FOR #8 SCREW	1.000 EA
36EP1101A21	FR ENDPLATE, MACH	1.000 EA
HW4500A01	1641B(ALEMITE)400 UNIV, GREASE FITT	1.000 EA
HW4500A17	317400 ALEMITE GREASE RELIEF	1.000 EA
HW5100A05	WVY WSHR F/205 & 304 BRGS	1.000 EA
36PE1300A13	PU ENDPLATE, FOR ROUTING PURPOSES	1.000 EA
HW4500A01	1641B(ALEMITE)400 UNIV, GREASE FITT	1.000 EA
HW4500A17	317400 ALEMITE GREASE RELIEF	1.000 EA
10XN2520A26	1/4-20X 1 5/8 HEX HD	4.000 EA
HW1001A25	LOCKWASHER 1/4, ZINC PLT .493 OD, .255 I	4.000 EA
HA3101A34	THRUBOLT- 1/4-20 X 10.375	4.000 EA
51XB1214A16	12-14X1.00 HXWSSLD SERTYB	1.000 EA
36FH4009A31	IEC FH W/GREASER & SPL NOTCH, W/ AUTOPHE	1.000 EA
51XW1032A06	10-32 X .38, TAPTITE II, HEX WSHR SLTD S	3.000 EA

Parts List (continued)		
Part Number	Description	Quantity
06CB3500	BALDOR CONDUIT BOX LID	1.000 EA
06GS1001	BALDOR CONDUIT BOX GASKET	1.000 EA
HW2501E16	3KEY, 1/4 SQ X 1.750	1.000 EA
HA7000A02	KEY RETAINER RING, 1 1/8 DIA, 1 3/8 DIA	1.000 EA
85XU0407S04	4X1/4 U DRIVE PIN STAINLESS	2.000 EA
LB1115N	LABEL,LIFTING DEVICE (ON ROLLS)	1.000 EA
MJ1000A75	GREASE, POLYREX EM EXXON (USe 4824-15A)	0.050 LB
MG1000Y03	MUNSELL 2.53Y 6.70/ 4.60, GLOSS 20,	0.028 GA
LB1119N	WARNING LABEL	1.000 EA
LC0006	CONNECTION LABEL	1.000 EA
NP3441L	ALUM SUPER-E VPWM INVERTER READY UL	1.000 EA
36PA1001	PKG GRP, PRINT PK1017A06	1.000 EA
MN416A01	TAG-INSTAL-MAINT no wire (1200/bx) 11/14	1.000 EA

AC Induction Motor Performance Data

Record # 32029 - Typical performance - not guaranteed values

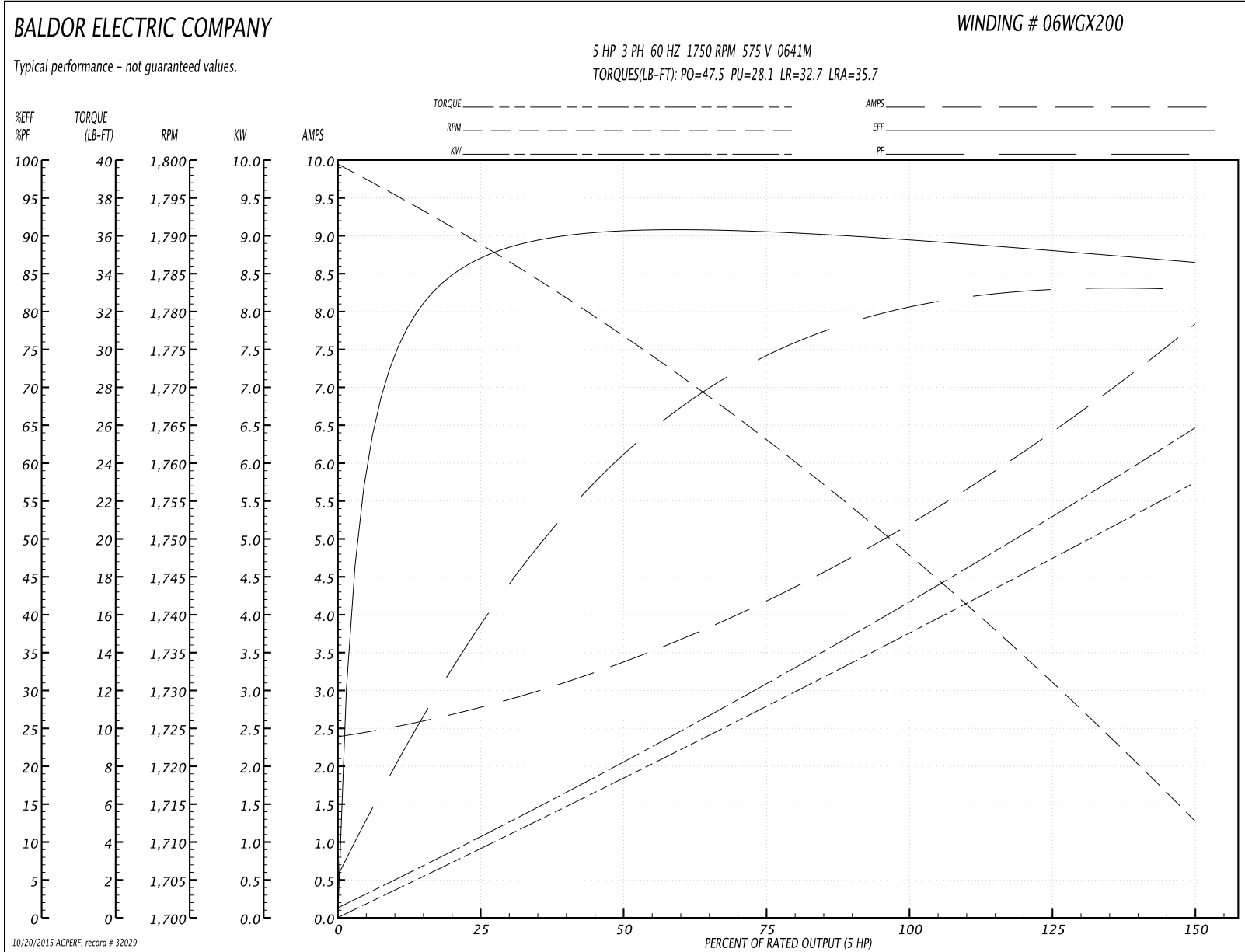
Winding: 06WGX200-R001	Type: 0641M	Enclosure: TEFC
-------------------------------	--------------------	------------------------

Nameplate Data				575 V, 60 Hz: Single Voltage Motor	
Rated Output (HP)	5			Full Load Torque	15 LB-FT
Volts	575			Start Configuration	direct on line
Full Load Amps	5.3			Breakdown Torque	47.5 LB-FT
R.P.M.	1750			Pull-up Torque	28.1 LB-FT
Hz	60	Phase	3	Locked-rotor Torque	32.7 LB-FT
NEMA Design Code	B	KVA Code	J	Starting Current	35.7 A
Service Factor (S.F.)	1.15			No-load Current	2.45 A
NEMA Nom. Eff.	89.5	Power Factor	79	Line-line Res. @ 25°C	3.93 Ω
Rating - Duty	40C AMB-CONT			Temp. Rise @ Rated Load	52°C
S.F. Amps				Temp. Rise @ S.F. Load	64°C
				Rotor inertia	0.382 LB-FT ²

Load Characteristics 575 V, 60 Hz, 5 HP

% of Rated Load	25	50	75	100	125	150	S.F.
Power Factor	41	63	74	79	82	83	81
Efficiency	86.3	90.6	90.3	89.5	88.5	86.2	88.9
Speed	1788	1776	1763	1748	1732	1712	1738
Line amperes	2.72	3.34	4.21	5.26	6.44	7.8	5.97

Performance Graph at 575V, 60Hz, 5.0HP Typical performance - Not guaranteed values



AC Induction Motor Performance Data

Record # 50808 - Typical performance - not guaranteed values

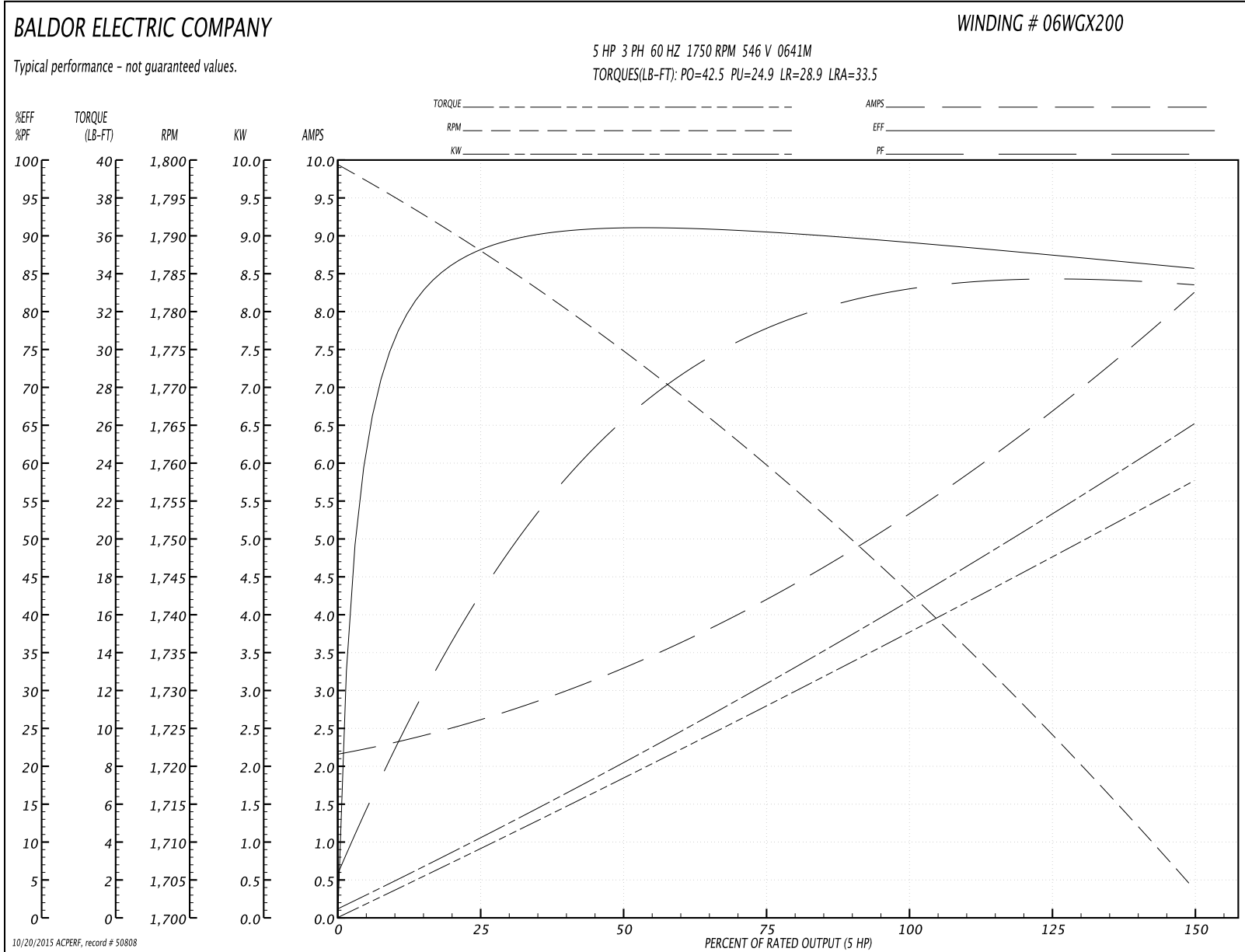
Winding: 06WGX200-R001	Type: 0641M	Enclosure: TEFC
-------------------------------	--------------------	------------------------

Nameplate Data				546 V, 60 Hz: Single Voltage Motor	
Rated Output (HP)	5			Full Load Torque	15 LB-FT
Volts	575			Start Configuration	direct on line
Full Load Amps	5.3			Breakdown Torque	42.5 LB-FT
R.P.M.	1750			Pull-up Torque	24.9 LB-FT
Hz	60	Phase	3	Locked-rotor Torque	28.9 LB-FT
NEMA Design Code	B	KVA Code	J	Starting Current	33.5 A
Service Factor (S.F.)	1.15			No-load Current	2.23 A
NEMA Nom. Eff.	89.5	Power Factor	79	Line-line Res. @ 25°C	3.92 Ω
Rating - Duty	40C AMB-CONT			Temp. Rise @ Rated Load	53°C
S.F. Amps				Temp. Rise @ S.F. Load	67°C
				Rotor inertia	0.382 LB-FT ²

Load Characteristics 546 V, 60 Hz, 5 HP

% of Rated Load	25	50	75	100	125	150	S.F.
Power Factor	45	67	78	82	84	84	83
Efficiency	87.5	91.1	90.3	89	88.1	85.4	88.5
Speed	1787	1774	1760	1743	1725	1703	1732
Line amperes	2.54	3.26	4.23	5.4	6.71	8.22	6.19

Performance Graph at 546V, 60Hz, 5.0HP Typical performance - Not guaranteed values



AC Induction Motor Performance Data

Record # 50809 - Typical performance - not guaranteed values

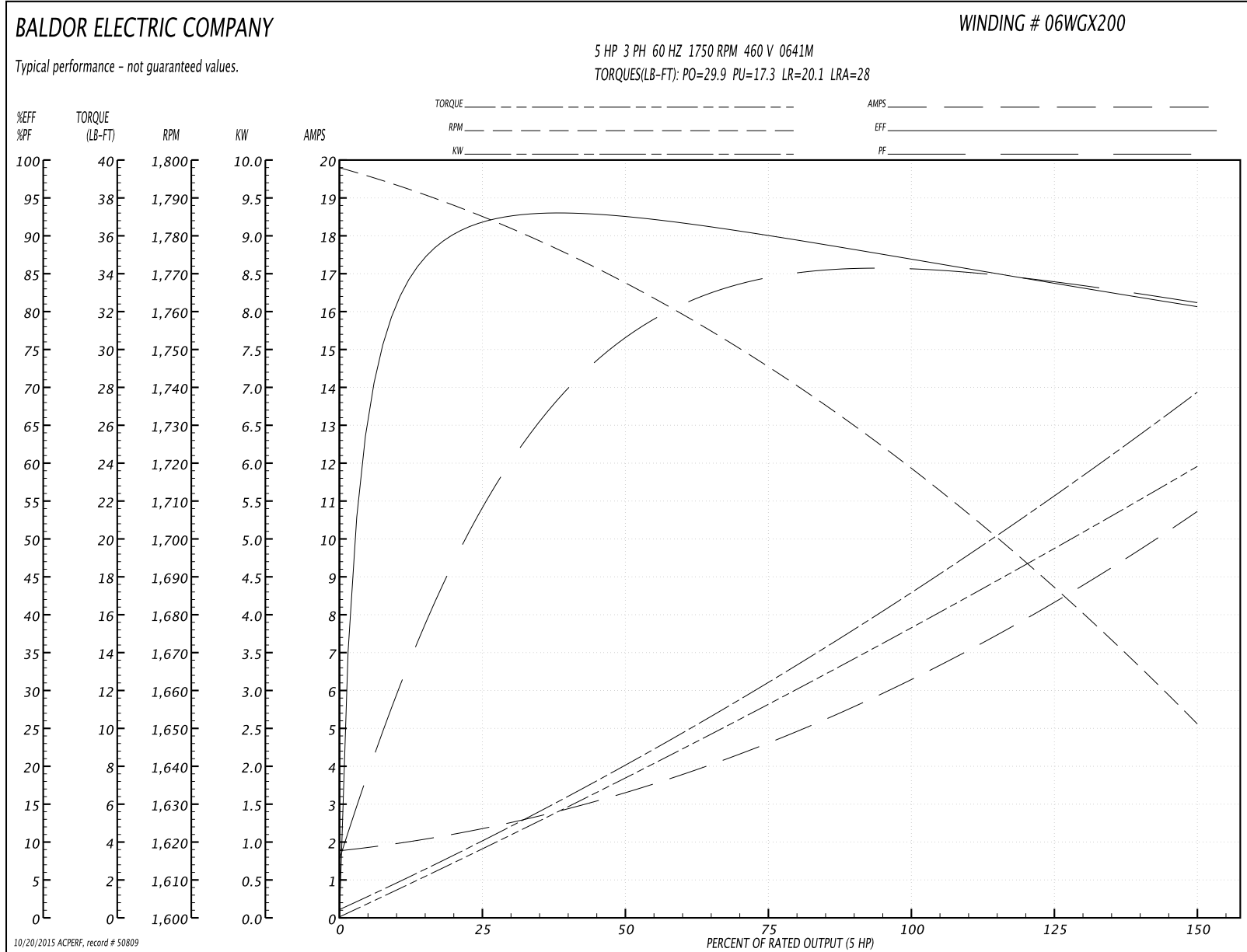
Winding: 06WGX200-R001	Type: 0641M	Enclosure: TEFC
-------------------------------	--------------------	------------------------

Nameplate Data				460 V, 60 Hz: Single Voltage Motor	
Rated Output (HP)	5			Full Load Torque	15.2 LB-FT
Volts	575			Start Configuration	direct on line
Full Load Amps	5.3			Breakdown Torque	29.9 LB-FT
R.P.M.	1750			Pull-up Torque	17.3 LB-FT
Hz	60	Phase	3	Locked-rotor Torque	20.1 LB-FT
NEMA Design Code	B	KVA Code	J	Starting Current	28 A
Service Factor (S.F.)	1.15			No-load Current	1.8 A
NEMA Nom. Eff.	89.5	Power Factor	79	Line-line Res. @ 25°C	3.92 Ω
Rating - Duty	40C AMB-CONT			Temp. Rise @ Rated Load	66°C
S.F. Amps				Temp. Rise @ S.F. Load	88°C
				Rotor inertia	0.382 LB-FT ²

Load Characteristics 460 V, 60 Hz, 5 HP

% of Rated Load	25	50	75	100	125	150	S.F.
Power Factor	58	78	84	85	84	81	84
Efficiency	89.9	91.5	89.5	87.1	85	80	85.8
Speed	1783	1765	1745	1720	1691	1648	1703
Line amperes	2.29	3.34	4.7	6.31	8.21	10.8	7.45

Performance Graph at 460V, 60Hz, 5.0HP Typical performance - Not guaranteed values



AC Induction Motor Performance Data

Record # 50837 - Typical performance - not guaranteed values

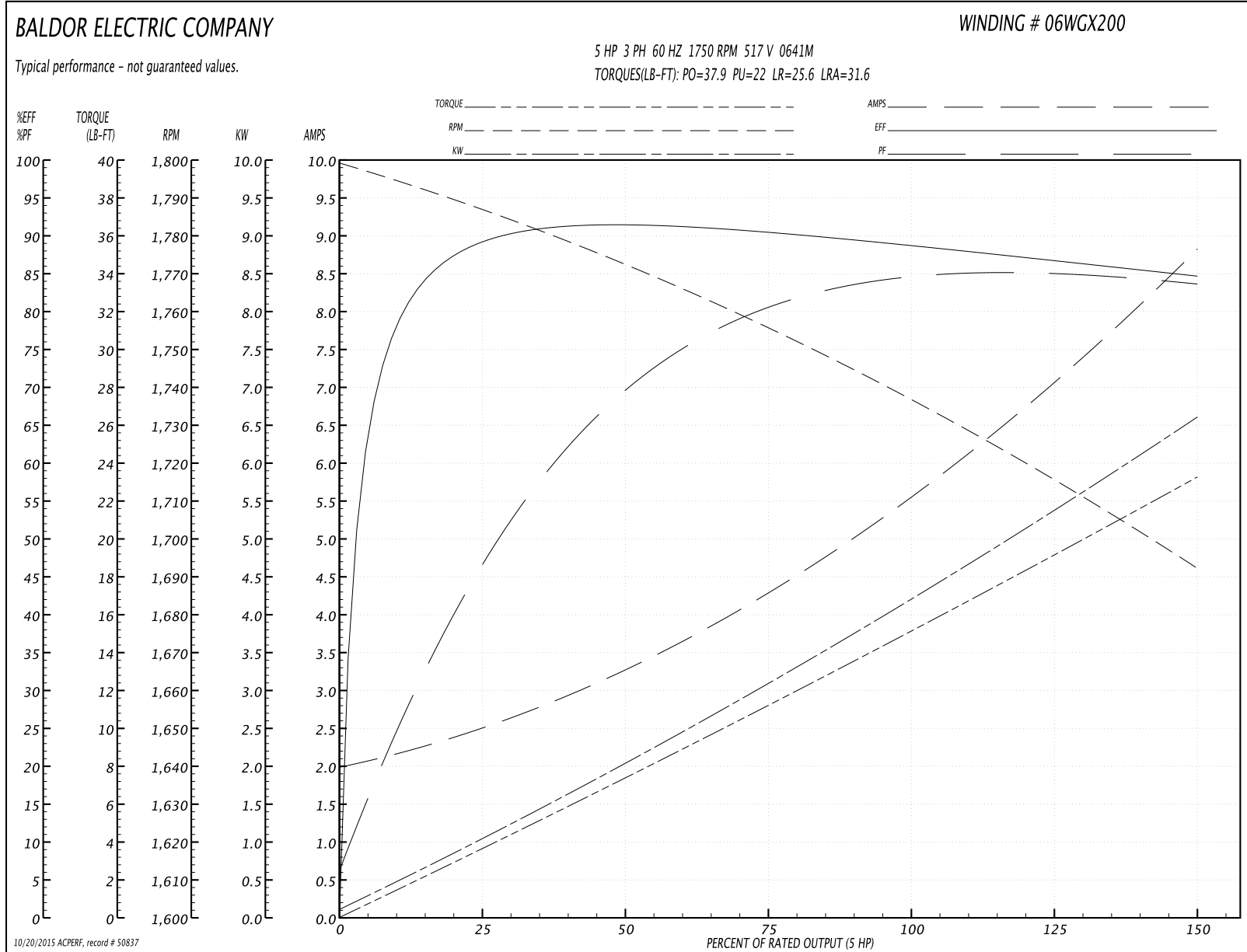
Winding: 06WGX200-R001	Type: 0641M	Enclosure: TEFC
-------------------------------	--------------------	------------------------

Nameplate Data				517 V, 60 Hz: Single Voltage Motor	
Rated Output (HP)	5			Full Load Torque	15.1 LB-FT
Volts	575			Start Configuration	direct on line
Full Load Amps	5.3			Breakdown Torque	37.9 LB-FT
R.P.M.	1750			Pull-up Torque	22 LB-FT
Hz	60	Phase	3	Locked-rotor Torque	25.6 LB-FT
NEMA Design Code	B	KVA Code	J	Starting Current	31.6 A
Service Factor (S.F.)	1.15			No-load Current	2.06 A
NEMA Nom. Eff.	89.5	Power Factor	79	Line-line Res. @ 25°C	3.92 Ω
Rating - Duty	40C AMB-CONT			Temp. Rise @ Rated Load	56°C
S.F. Amps				Temp. Rise @ S.F. Load	72°C
				Rotor inertia	0.382 LB-FT ²

Load Characteristics 517 V, 60 Hz, 5 HP

% of Rated Load	25	50	75	100	125	150	S.F.
Power Factor	50	71	80	83	85	84	84
Efficiency	88.4	91.3	90	88.8	87.4	84.4	88
Speed	1786	1771	1756	1737	1717	1691	1725
Line amperes	2.42	3.24	4.33	5.62	7.08	8.8	6.5

Performance Graph at 517V, 60Hz, 5.0HP Typical performance - Not guaranteed values



AC Induction Motor Performance Data

Record # 51156 - Typical performance - not guaranteed values

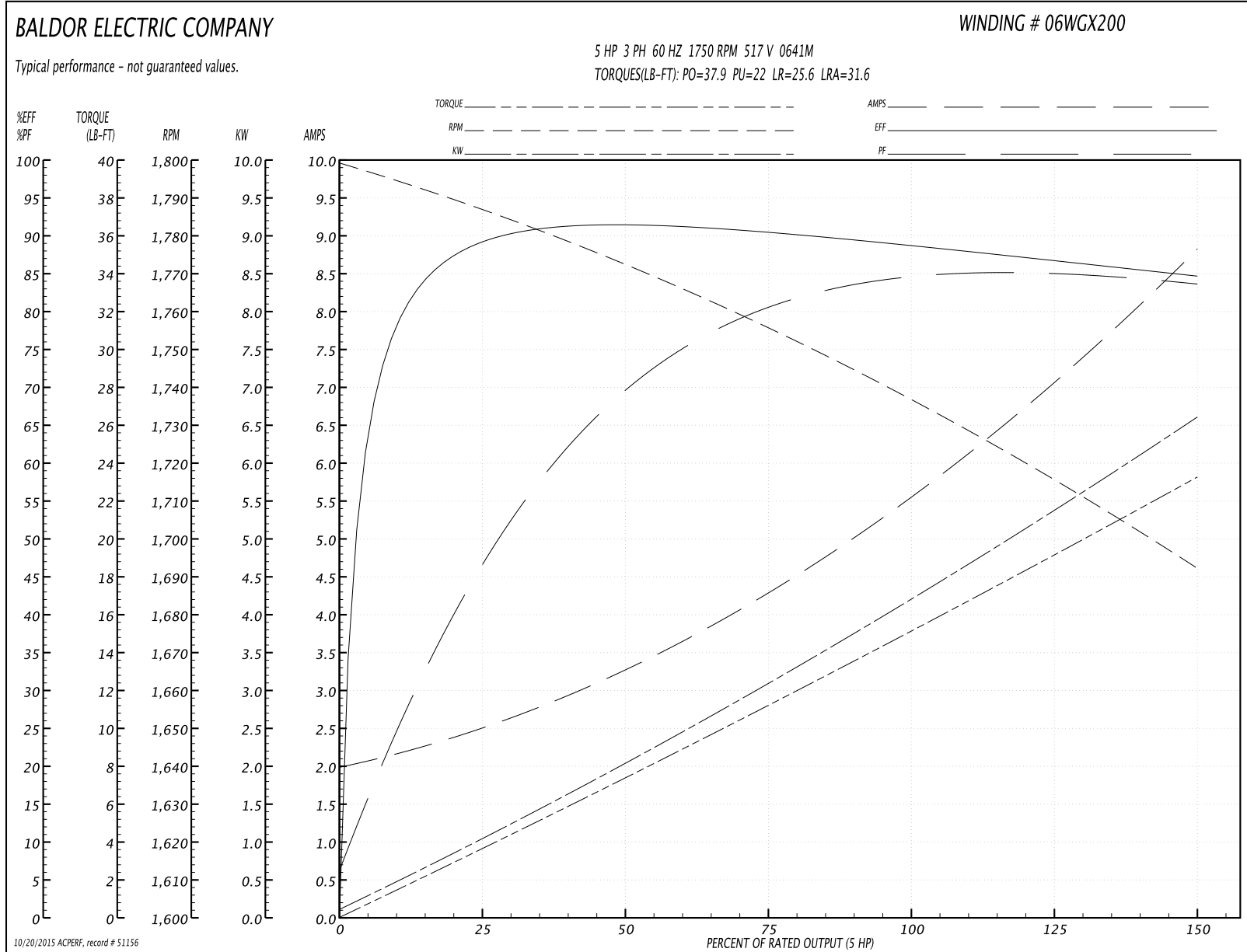
Winding: 06WGX200-R001	Type: 0641M	Enclosure: TEFC
-------------------------------	--------------------	------------------------

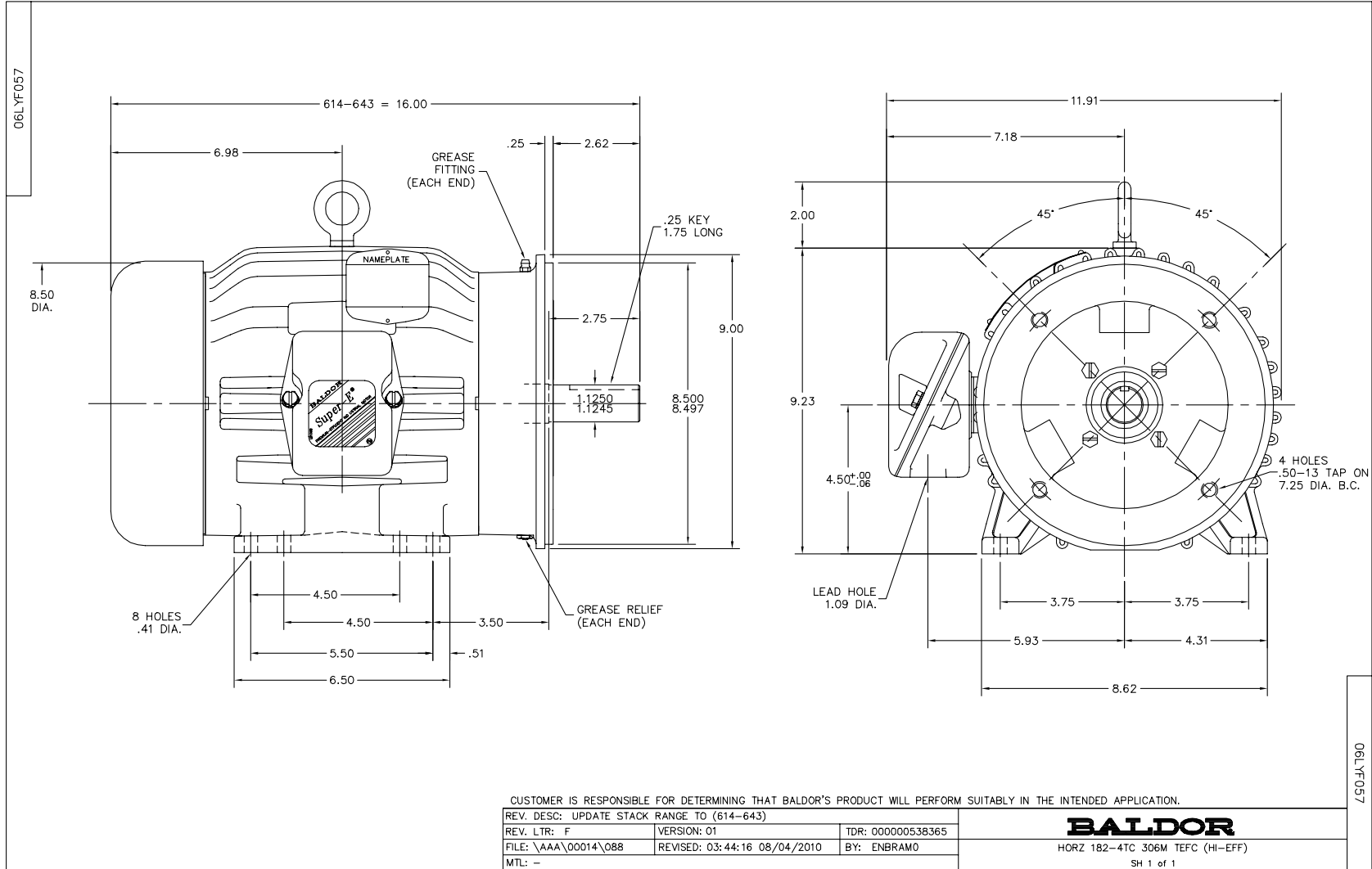
Nameplate Data				517 V, 60 Hz: Single Voltage Motor	
Rated Output (HP)	5			Full Load Torque	15.1 LB-FT
Volts	575			Start Configuration	direct on line
Full Load Amps	5.3			Breakdown Torque	37.9 LB-FT
R.P.M.	1750			Pull-up Torque	22 LB-FT
Hz	60	Phase	3	Locked-rotor Torque	25.6 LB-FT
NEMA Design Code	B	KVA Code	J	Starting Current	31.6 A
Service Factor (S.F.)	1.15			No-load Current	2.06 A
NEMA Nom. Eff.	89.5	Power Factor	79	Line-line Res. @ 25°C	3.92 Ω
Rating - Duty	40C AMB-CONT			Temp. Rise @ Rated Load	56°C
S.F. Amps				Temp. Rise @ S.F. Load	72°C
				Rotor inertia	0.382 LB-FT ²

Load Characteristics 517 V, 60 Hz, 5 HP

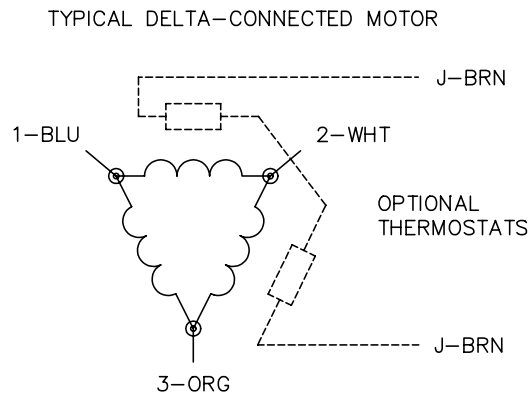
% of Rated Load	25	50	75	100	125	150	S.F.
Power Factor	50	71	80	83	85	84	84
Efficiency	88.4	91.3	90	88.8	87.4	84.4	88
Speed	1786	1771	1756	1737	1717	1691	1725
Line amperes	2.42	3.24	4.33	5.62	7.08	8.8	6.5

Performance Graph at 517V, 60Hz, 5.0HP Typical performance - Not guaranteed values





CD0006



NOTES:

1. THREE LEAD MOTOR MAY BE EITHER WYE CONNECTED OR DELTA CONNECTED.
2. INTERCHANGE ANY TWO LINE LEADS TO REVERSE ROTATION.
3. OPTIONAL THERMOSTATS ARE PROVIDED WHEN SPECIFIED.
4. ACTUAL NUMBER OF INTERNAL PARALLEL CIRCUITS MAY VARY.
5. LEAD COLORS ARE OPTIONAL. LEADS MUST BE NUMBERED AS SHOWN.

REV. DESC: REVISE TO SHOW OPTIONAL COLORS			
REV. LTR: D	BY: JLP	REVISED: 01/21/99 4:02	TDR: 0171435
9000D		FILE: AAA00005141	MDL: -
		MTL: -	

BALDOR ELECTRIC Co.

3PH, SV, 3 LEADS, WYE OR DELTA CONNECTED

CD0006